

z e n s

PuK Combi

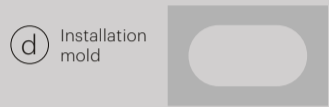
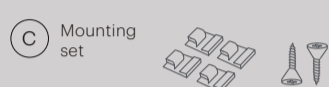
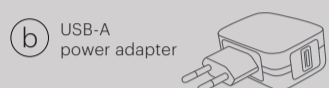
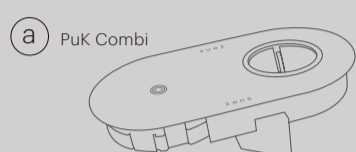
Installation guide



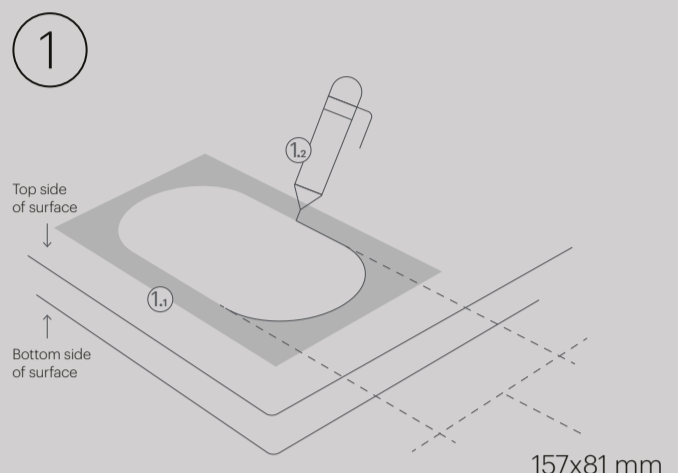
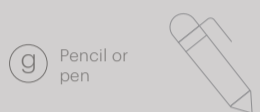
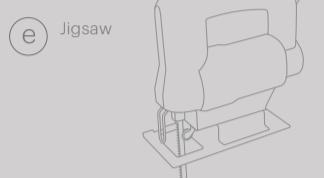
www.makezens.com

All rights reserved. Zens is a trademark of Zens B.V.
Designed in the Netherlands. Assembled in China.
Zens B.V., High Tech Campus 85, 5656 AG Eindhoven, NL

Included items



Required tools (not included)

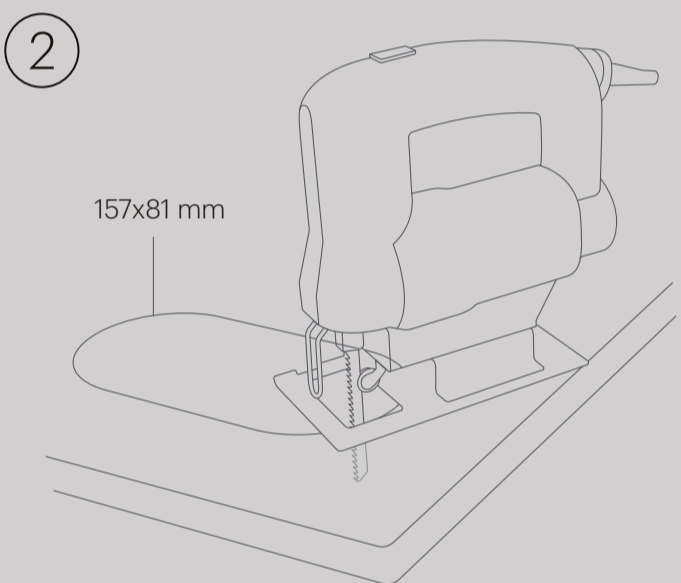


1.1 Position the mold on the top side of the surface.
1.2 Draw the shape to indicate the position of the PuK Combi.

Page 1 | PuK Combi installation guide

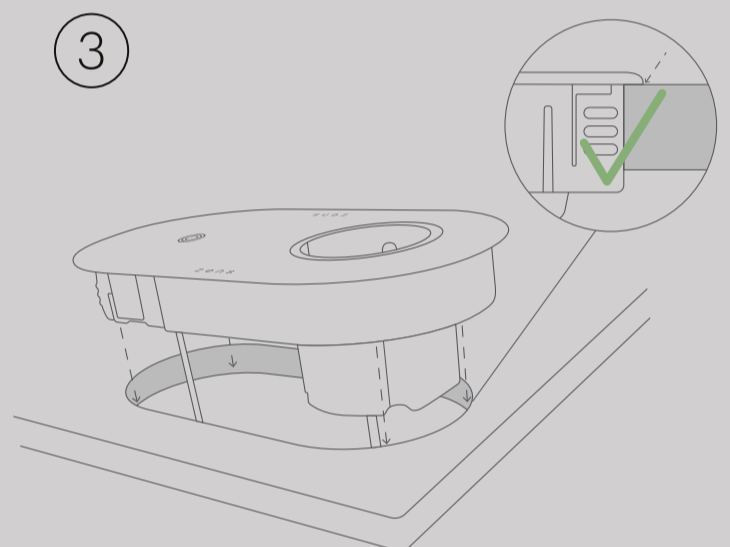
Page 2 | PuK Combi installation guide

Empowering Freedom



Use the jigsaw and follow the drawn lines to cut out the correct shape.

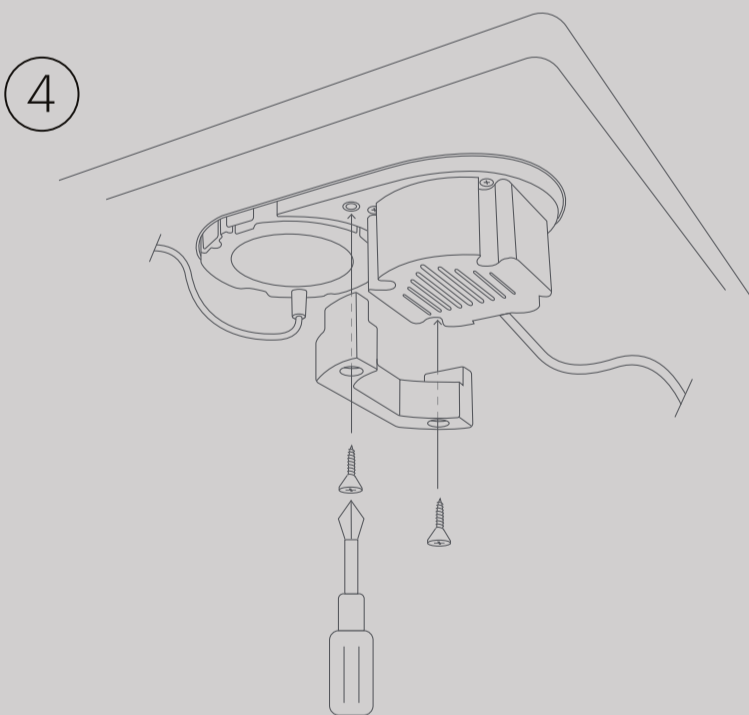
Page 3 | PuK Combi installation guide



Insert the PuK Combi in the opening from above.
Important: leave no space between the product and the surface.

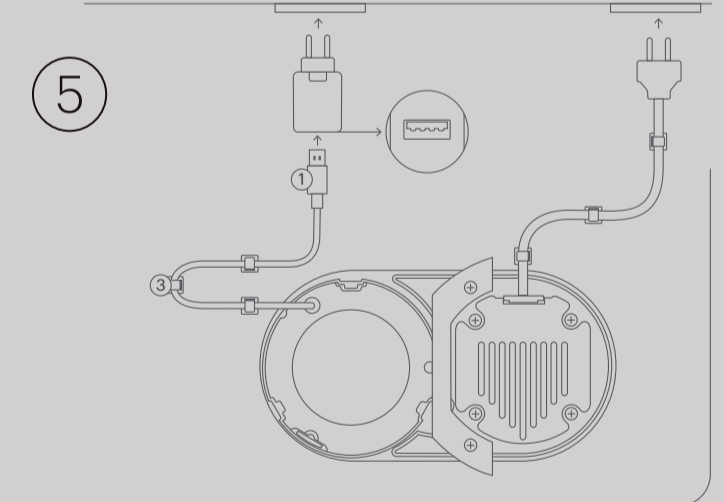
Page 4 | PuK Combi installation guide

Empowering Freedom



Use the two screws to fasten the bracket and secure the product.

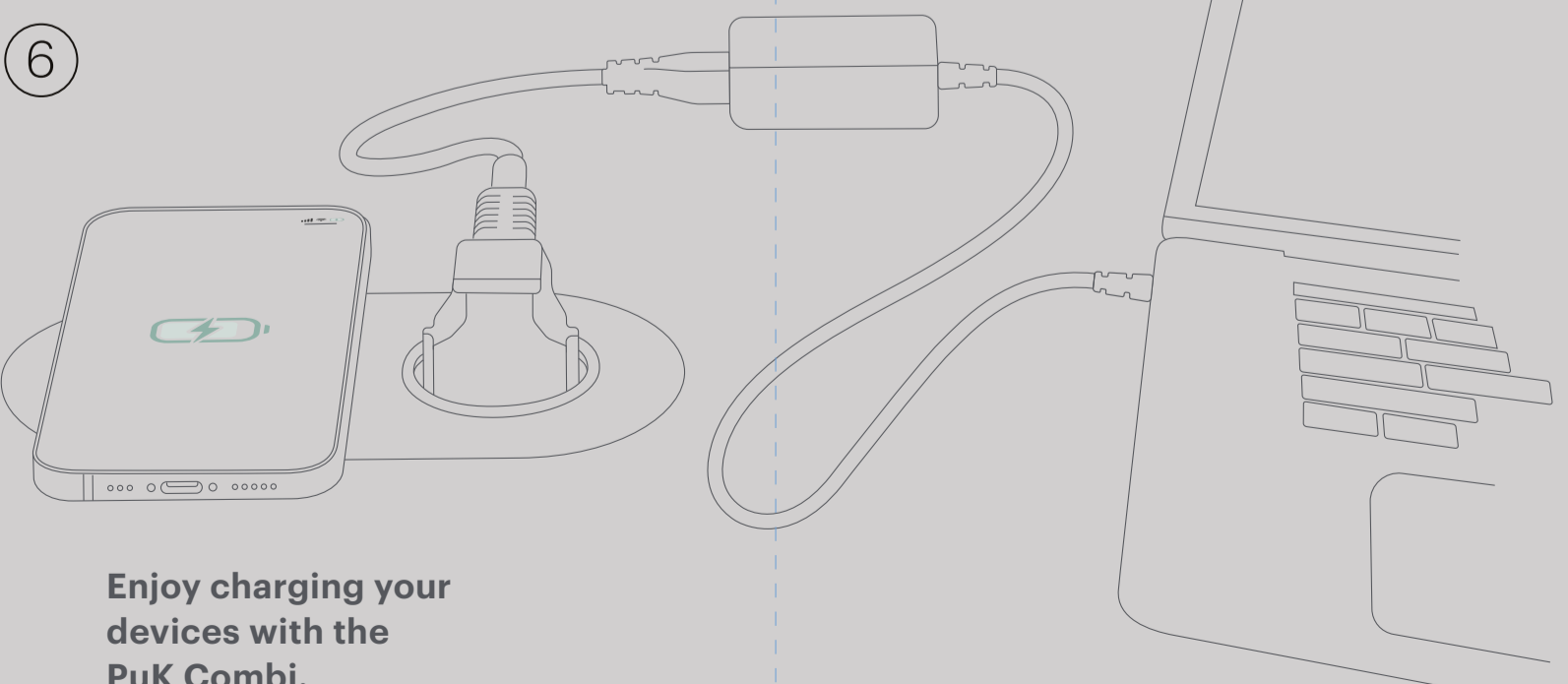
Page 5 | PuK Combi installation guide



1 Connect the USB-A cable to the power adapter and plug it into the nearest power socket.
2 Connect the two USB-C cables to the power adapter and plug it in to the nearest power socket.
3 Use the cable clips to neatly secure the cables on the bottom of the surface.

Page 6 | PuK Combi installation guide

Empowering Freedom



Enjoy charging your devices with the PuK Combi.

Page 7 | PuK Combi installation guide

Page 8 | PuK Combi installation guide

Empowering Freedom