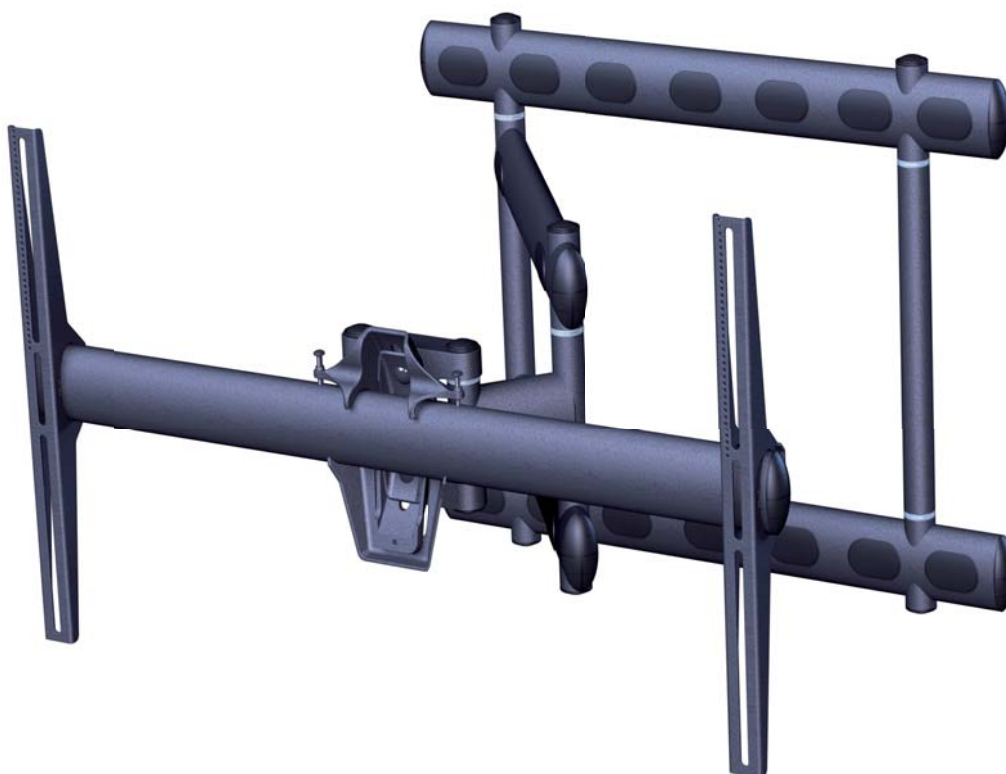

PFW6852

Display Wall Mount, Turn & Tilt 136 kg

INSTALLATION INSTRUCTIONS



Contents












Contents.....	2
Weight Limit.....	2
Warning Statements.....	2
Installation Tools.....	3
Parts List.....	3
Hardware.....	4
Features.....	5
Installing the Swingout Arm.....	6
Introduction.....	6
Mount Orientation.....	6
Nose Piece Orientation.....	7
Wood Stud Installation.....	8
Concrete Installation.....	8
Mounting Hardware Selection.....	10
Selecting the Mounting Hardware.....	10
Griplate™ Washer Installation.....	11
Nylon Spacer Installation.....	11
Mounting Bracket Installation.....	12
Universal Bracket Installation.....	12
Adapter Plate Installation (Optional).....	13
Attaching the Flat Panel to the Swingout Arm.....	15
Fine Tuning & Adjustments.....	16
Tilt Positioning.....	16
Cable Management.....	16
Technical Specifications.....	17
Warranty.....	18
Disclaimer.....	18

Weight Limit

Maximum Flat Panel Weight: **300 lbs.**

THE WALL STRUCTURE MUST BE CAPABLE OF SUPPORTING AT LEAST FOUR TIMES THE WEIGHT OF THE FLAT PANEL. IF NOT, THE WALL STRUCTURE MUST BE REINFORCED.

Warning Statements

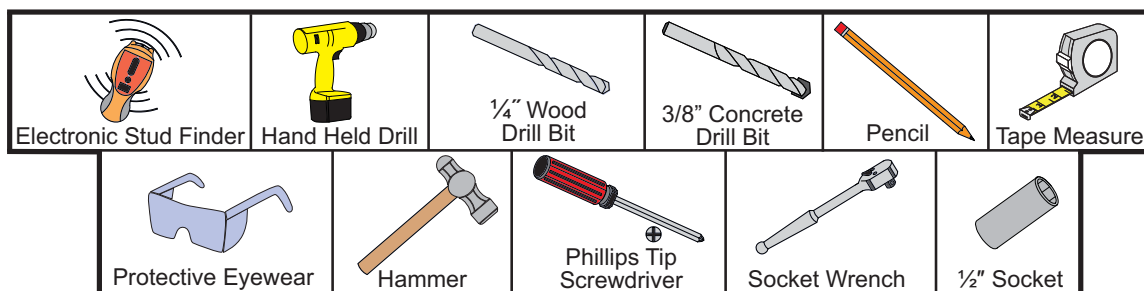
-  PRIOR TO THE INSTALLATION OF THIS PRODUCT, THE INSTALLATION INSTRUCTIONS MUST BE READ AND COMPLETELY UNDERSTOOD. KEEP THESE INSTALLATION INSTRUCTIONS IN AN EASILY ACCESSIBLE LOCATION FOR FUTURE REFERENCE.
-  PROPER INSTALLATION PROCEDURE BY A QUALIFIED SERVICE TECHNICIAN MUST BE FOLLOWED, AS OUTLINED IN THESE INSTALLATION INSTRUCTIONS. FAILURE TO DO SO COULD RESULT IN PROPERTY DAMAGE, SERIOUS PERSONAL INJURY, OR EVEN DEATH.
-  SAFETY MEASURES MUST BE PRACTICED AT ALL TIMES DURING THE ASSEMBLY OF THIS PRODUCT. USE PROPER SAFETY EQUIPMENT AND TOOLS FOR THE ASSEMBLY PROCEDURE TO PREVENT PERSONAL INJURY.
-  VOGEL'S DOES NOT WARRANT AGAINST DAMAGE CAUSED BY THE USE OF ANY VOGEL'S PRODUCT FOR PURPOSES OTHER THAN THOSE FOR WHICH IT WAS DESIGNED OR DAMAGE CAUSED BY UNAUTHORIZED ATTACHMENTS OR MODIFICATIONS, AND IS NOT RESPONSIBLE FOR ANY DAMAGES, CLAIMS, DEMANDS, SUITS, ACTIONS OR CAUSES OF ACTION OF WHATEVER KIND RESULTING FROM, ARISING OUT OF OR IN ANY MANNER RELATING TO ANY SUCH USE, ATTACHMENTS OR MODIFICATIONS.
-  At least two qualified people should perform the assembly procedure. Personal injury and/or property damage can result from dropping or mishandling the flat panel.
-  If mounting to wall studs, make sure that the mounting screws are anchored into the center of the wall studs. Use of an edge-to-edge stud finder is recommended.
-  It is recommended that a minimum of 1/2" drywall be used when mounting to wooden studs.
-  Be aware of the mounting environment. If drilling and/or cutting into the mounting surface, always make sure that there are no electrical wires in wall. Cutting or drilling into an electrical line may cause serious personal injury.
-  Make sure there are no water or natural gas lines inside the wall where the mount is to be located. Cutting or drilling into a water or gas line may cause severe property damage or personal injury.
-  This product is intended for indoor use only. Use of this product outdoors could lead to product failure and/or serious personal injury.
-  Do not install near sources of high heat. Do not install on a structure that is prone to vibration, movement or chance of impact.



Contact Vogel's with any questions:
+31 40 264 7400

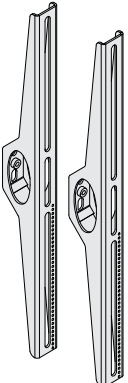
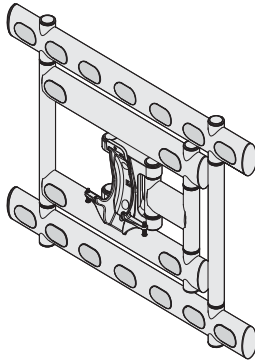
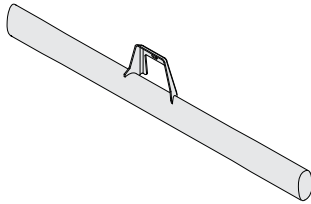
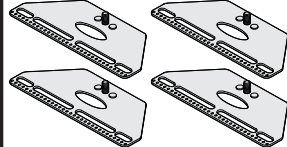
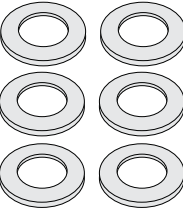
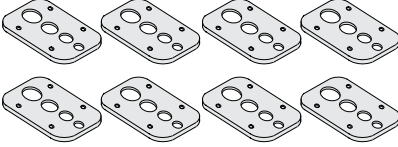
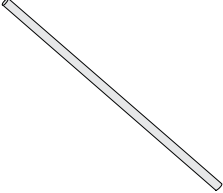
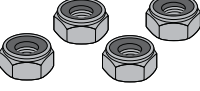
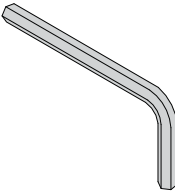
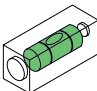
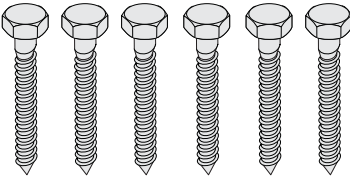
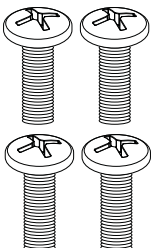
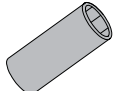
Installation Tools

The following tools may be required, dependent upon your particular installation. These tools are not provided by Vogel's, but you can purchase them at your local hardware store.



Parts List

Your Vogel's product is shipped with all proper installation hardware and components. Make sure that none of these parts are missing and/or damaged before beginning installation. If there are parts missing and/or damaged, please stop the installation and contact Vogel's +31 40 264 7400.

PFW6852 Universal Swingout Arm Hardware			
 Universal Brackets (Qty 2)	 PFW6852 Swingout Arm (Qty 1)	 Universal Bracket Bar (Qty 1)	Adapter Plates and Hardware  Adapter Plates (Qty 4)
 5/16" Flat Washers (Qty 6)	 Griplate™ (Qty 8)	 Thread Depth Indicator (Qty 1)	 M8 Nylon Nuts (Qty 4)
Tools (supplied)  5/32" Allen Wrench (Qty 1)	 Level (Qty 1)	 5/16" x 3" Lag Bolts (Qty 6) Wood Stud Installation Only	 M10 x 30mm Screws (Qty 4)
	 14mm Socket (Qty 1)		

Parts List (cont'd)

Hardware	
M4 x 16mm Screw (Qty 8)	
M4 x 25mm Screw (Qty 8)	
M5 x 12mm Screw (Qty 8)	
M5 x 16mm Screw (Qty 8)	
M5 x 20mm Screw (Qty 8)	
M5 x 25mm Screw (Qty 8)	
M5 x 50mm Screw (Qty 8)	
1/4" Nylon Spacer (Large) (Qty 8) 1/2" Nylon Spacer (Large) (Qty 12) 1" Nylon Spacer (Qty 8) 1/4" Nylon Spacer (Small) (Qty 8) 9/16" Nylon Spacer (Qty 8) Nylon Sleeve (Qty 8) 5/16" Flat Washer (Metal) (Qty 8)	
M6 x 16mm Screw (Qty 8)	
M6 x 20mm Screw (Qty 8)	
M6 x 30mm Screw (Qty 8)	
M6 x 45mm Screw (Qty 8)	
M8 x 20mm Screw (Qty 8)	
M8 x 25mm Screw (Qty 8)	
M8 x 30mm Screw (Qty 8)	
M8 x 35mm Screw (Qty 8)	
M8 x 45mm Screw (Qty 8)	
M8 x 70mm Screw (Qty 4)	

Features

Stylish Design

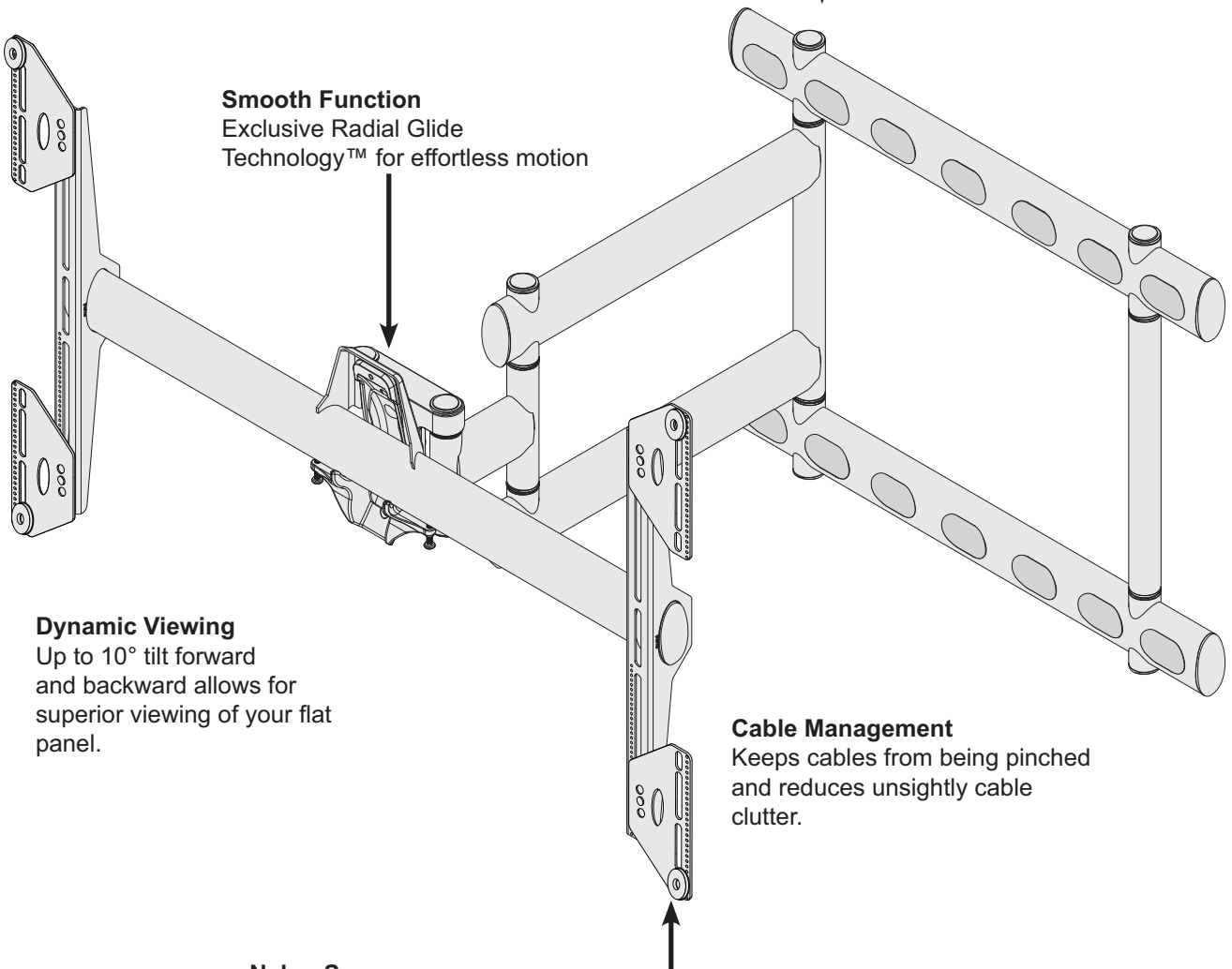
Sleek and unobtrusive, yet supremely sturdy.

Smooth Function

Exclusive Radial Glide Technology™ for effortless motion

Robust Mount Design

The heavy brackets ensure that your flat panel stays where you installed it.



Dynamic Viewing

Up to 10° tilt forward and backward allows for superior viewing of your flat panel.

Cable Management

Keeps cables from being pinched and reduces unsightly cable clutter.

Nylon Spacers

Vogel's uniquely designed spacers that fit multiple screw sizes.

Installing the Swingout Arm

Introduction

The following procedures instruct you on installing your PFW6852 Universal Swingout Arm on to wall studs or a concrete wall. Please read these installation instructions once thoroughly before attempting to install your Vogel's product.

Please take a minute to familiarize yourself with the contents of the package and make sure you have all the parts and tools you need to safely complete the installation.

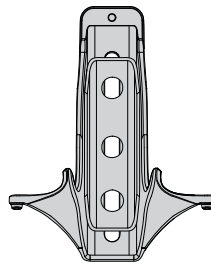
In addition, some steps of this installation may require two people to prevent personal injury and/or damage to your flat panel. Please obey all warnings in the following installation procedure, observe safe installation practices, and utilize proper safety equipment at all times.

Proceed to the **"Mount Orientation"** section.

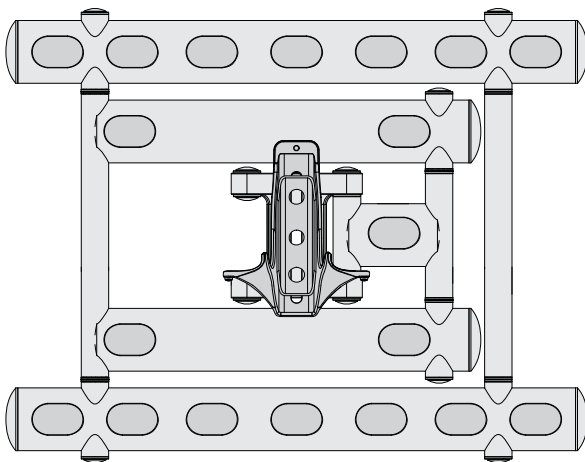
Mount Orientation

Your PFW6852 Universal Swingout Arm is designed to be installed with the Swingout Arm opening to either the left-hand or right-hand side. Simply invert the PFW6852 Universal Swingout Arm and re-orient the Nose Piece.

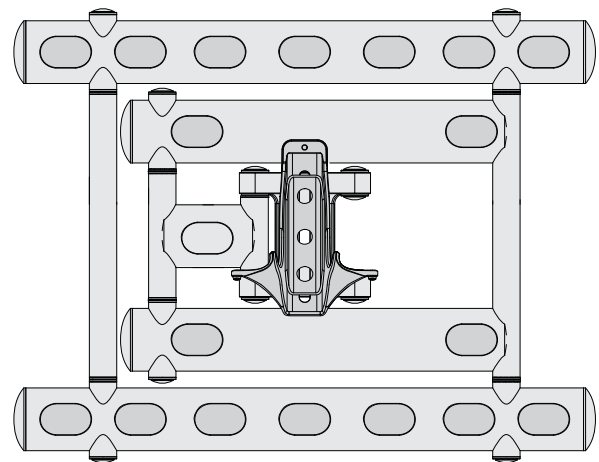
Proceed to the **"Nose Piece Orientation"** section.



Nose Piece
Upright Orientation



Left-Hand Swingout Arm Orientation



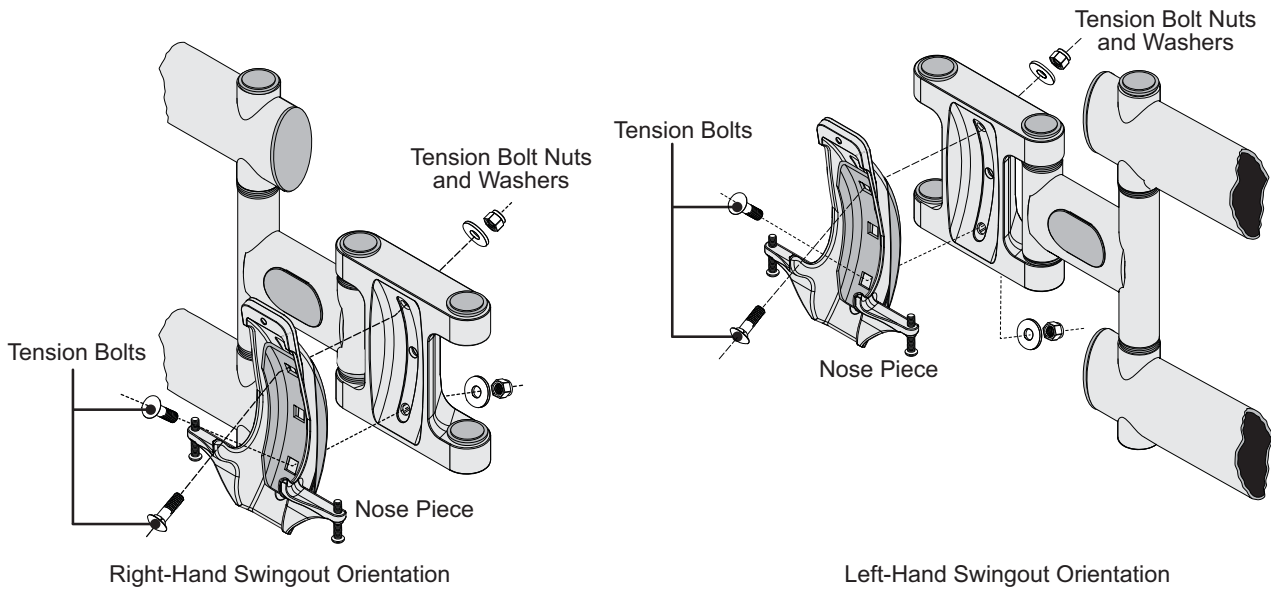
Right-Hand Swingout Arm Orientation

Installing the Swingout Arm (cont'd)

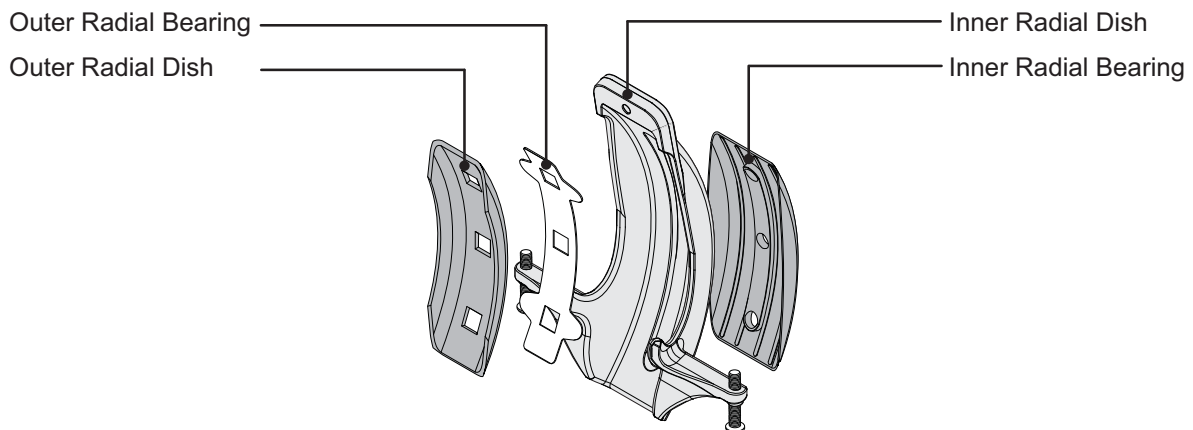
Nose Piece Orientation

- 1 Remove the Nose Piece by removing the tension bolts, tension bolt nuts, and washers.
- 2 Detach the Nose Piece assembly, rotate it 180°, and place it back onto your Swingout Arm.
- 3 Slide the tension bolts back into the holes and attach the tension bolt nuts and washers from the backside of the Nose Piece assembly.
- 4 Tighten the tension bolts.

Do not overtighten the tension bolts.



The Nose Piece consists of four parts that must stay together in the order that they were manufactured. If they become separated during any of the Nose Piece Orientation steps, re-assemble the parts in the order shown below.



If you will be installing your PFW6852 mount on to a wood stud surface, proceed to the **“Wood Stud Installation”** section.

If you will be installing your PFW6852 mount on to a concrete surface, proceed to the **“Concrete Installation”** section.

If you are installing your PFW6852 mount to wood studs, the drywall must be at least 1/2” thick.

Installing the Swingout Arm (cont'd)

Wood Stud Installation

- 1 Refer to the instructions printed on the template supplied with your PFW6852 mount regarding where to drill the pilot holes for the lag bolts.
- 2 Place your PFW6852 mount against the wall and align the mounting slots with the pilot holes.
- 3 Insert four (4) $\frac{5}{16}$ " x 3" lag bolts and washers into the pilot holes. Do not completely tighten the lag bolts at this time.
- 4 Place a level on the top rail and make sure that the mount is level.
- 5 Tighten all of the lag bolts.



Do not overtighten the lag bolts.

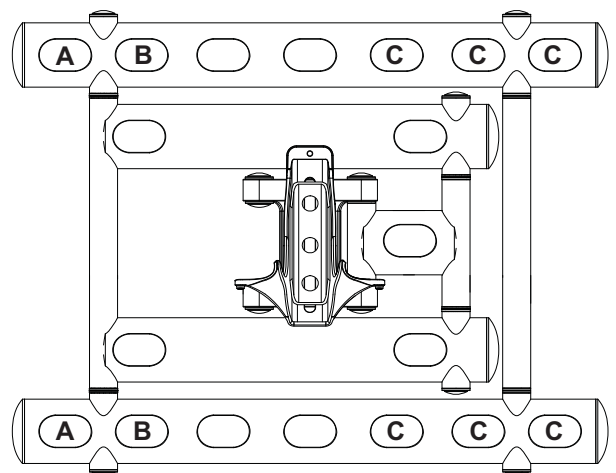
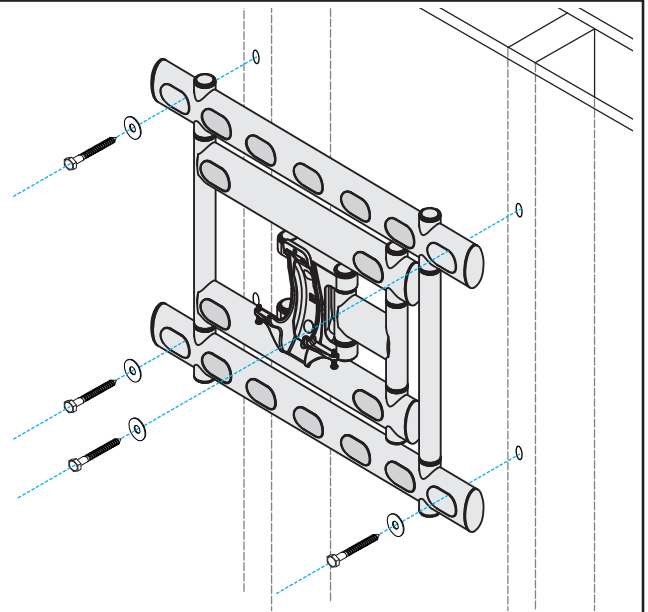


You must install one (1) lag bolt and washer into a wood stud at either both mount points A **OR** both mount points B...

...AND...

...you must install one (1) lag bolt and washer into a wood stud at any two (2) mount points C, one (1) in the top mount point and one (1) in the bottom mount point.

Proceed to the "Mounting Hardware Selection" section.



Concrete Installation

Step 1



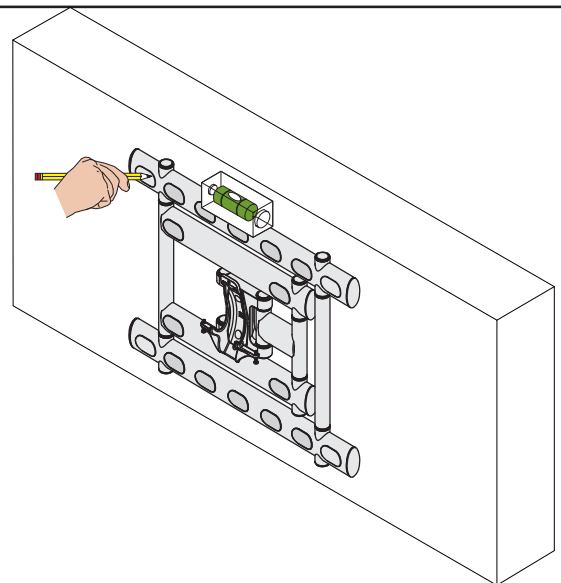
Concrete wedge anchors must be used for concrete installation. The anchor should have a $\frac{3}{8}$ " shaft, $\frac{5}{16}$ " threading and be 3" in length. This anchor is available through McMaster-Carr (Part #97046A114).

You will need a $\frac{3}{8}$ " concrete drill bit.

- 1 Place your Swingout Arm into position against the wall.
- 2 Use a bubble level to level your Swingout Arm.
- 3 Mark four holes to be used for securing your Swingout Arm.



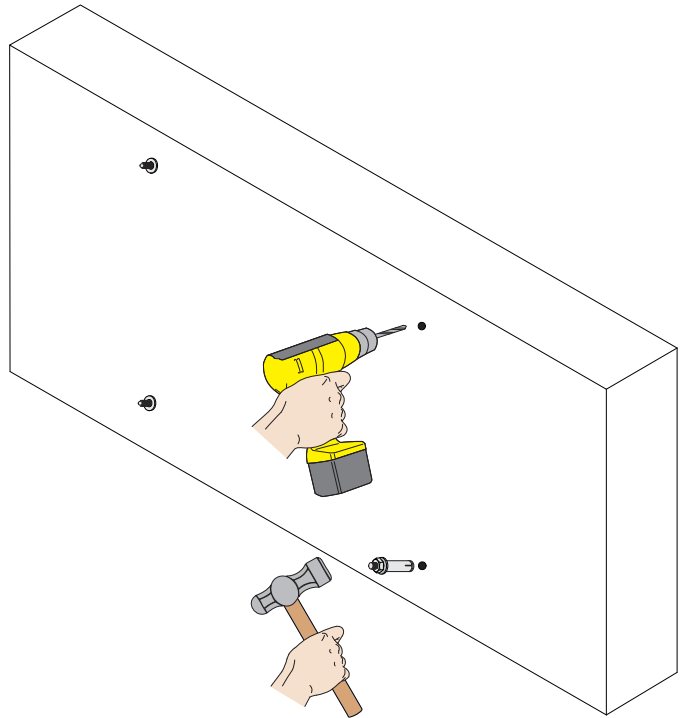
Do not install wedge anchors closer than 12" in each elliptical wall bracket.



Installing the Swingout Arm (cont'd)

Step 2

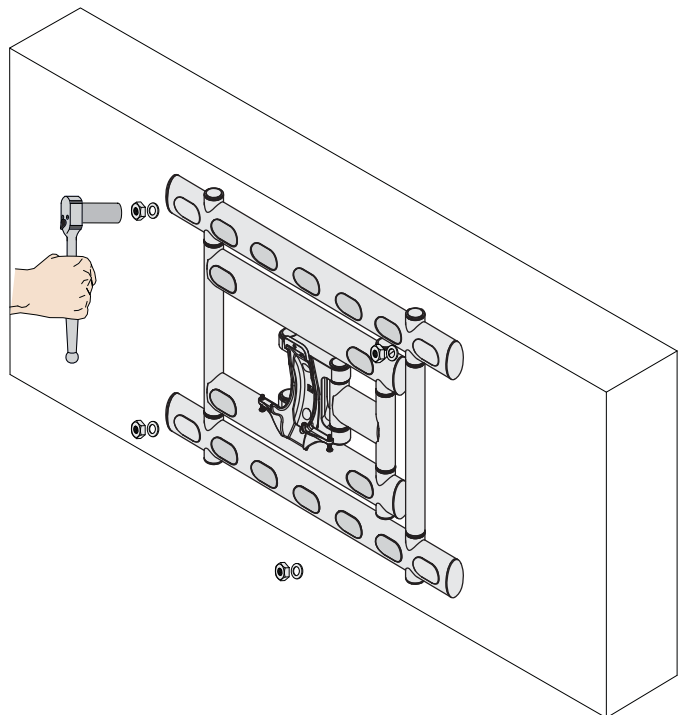
- 1 Set aside your Swingout Arm.
- 2 Use a power drill and concrete drill bit to drill holes at the marks.
- 3 Insert a wedge anchor into each hole.
- 4 If necessary, use a hammer to lightly tap each wedge anchor into place so that they are flush with the wall.



Step 3

- 1 Move your Swingout Arm back into position.
- 2 Attach the wedge anchor nut and washer onto the threaded shaft that is protruding from the wall.
- 3 Do not tighten any hardware until all wedge anchor nuts and washers are in place.


Proceed to the “**Mounting Hardware Selection**” section.



Mounting Hardware Selection

Selecting the Mounting Hardware


- 1 Insert a small straw or toothpick into the threaded inserts found on the back of the flat panel.
- 2 Use a pencil to mark the depth of the threaded insert on the small straw or toothpick.
- 3 Mark the straw or toothpick 1/8" above the depth of the threaded insert, as shown in Figure 1.
- 4 Insert the small straw or toothpick into the remaining threaded inserts to compare and verify their depth using the straw or toothpick's 1/8" allowance mark.
- 5 Locate the correct diameter screw for the threaded insert.

 If the screw you selected is longer than the 1/8" allowance mark on the small straw or toothpick, as shown in Figure 2 and Figure 3, do not use this screw. The screw length must not bypass the mark.

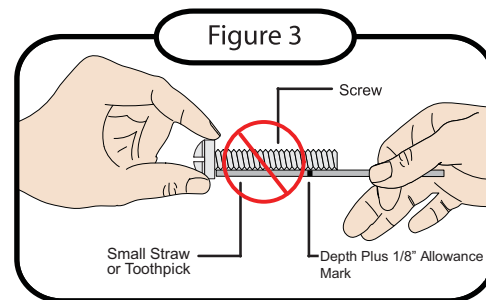
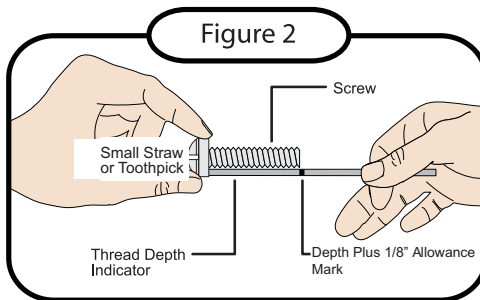
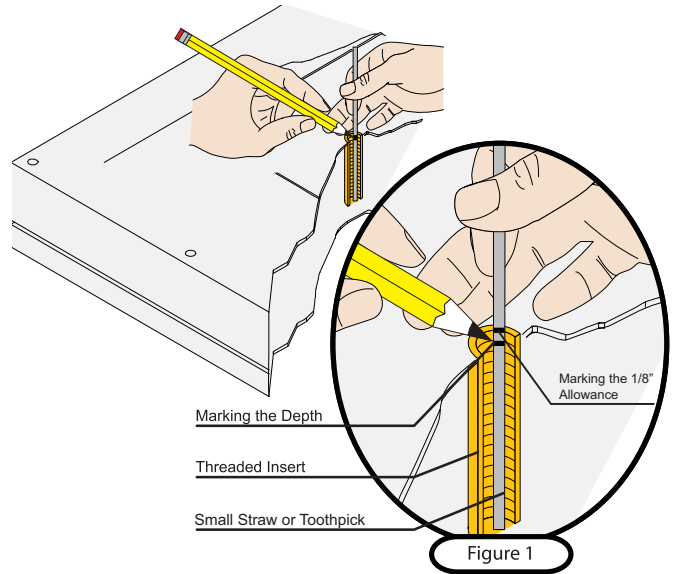
- 6 Test each size of the screws provided.

The correct screws should thread easily into the mounting point and not pull out when tension is applied.

You must account for the bracket, spacers and

 Griplate™ depths when using the Thread Depth Indicator to measure the thread depth of your flat panel.

Proceed to the "**Griplate™ Washer Installation**" section.



Mounting Hardware Selection (cont'd)

Griplate™ Washer Installation

Vogel's Griplate™ washers are designed to accommodate the various M4, M5, M6 and M8 hole sizes required by flat panels.

Do not place excessive pressure on the back of the flat panel, as this may damage your flat panel.

The Griplate™ washer must be installed between the head of the mounting screw and the mounting bracket as shown.

The dimples on the Griplate™ washers must be oriented as follows:

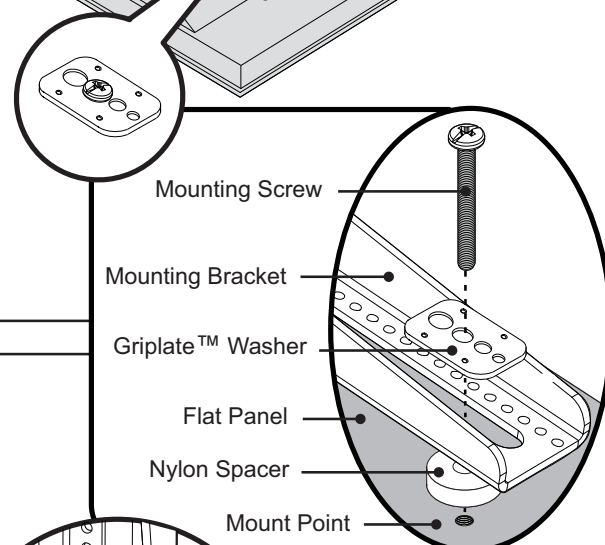
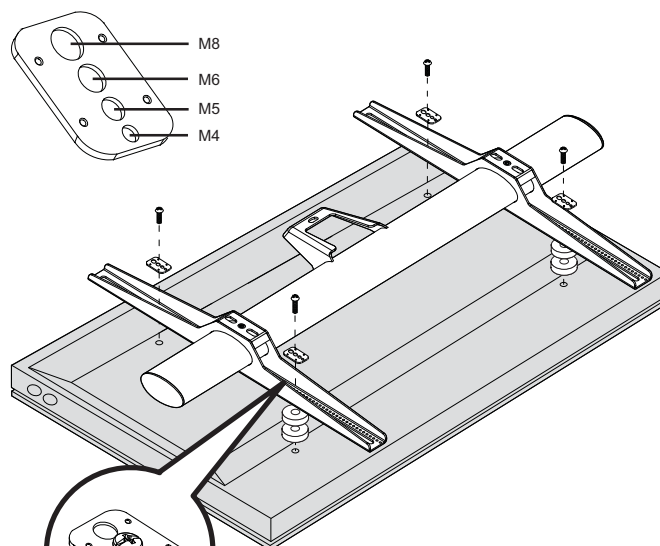
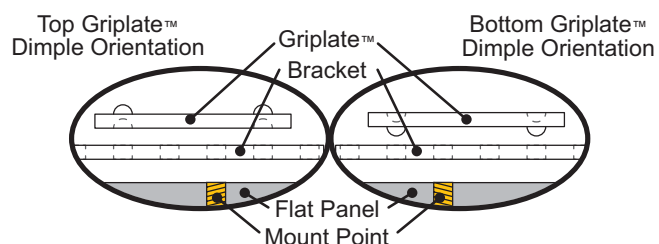
- The Griplate™ washers installed at the top of the flat panel must have the points of the dimples facing away from the flat panel.
- The Griplate™ washers installed at the bottom of the flat panel must have the points of the dimples facing towards the flat panel.

Does your flat panel have:

- Recessed mount points?
- Uneven mount points?
- A curved back?
- Any obstruction near the mount point?

If **Yes**, you must install nylon spacers. Proceed to the “**Nylon Spacer Installation**” section.

If **No**, skip to the “**Mounting Bracket Installation**” section.



Nylon Spacer Installation

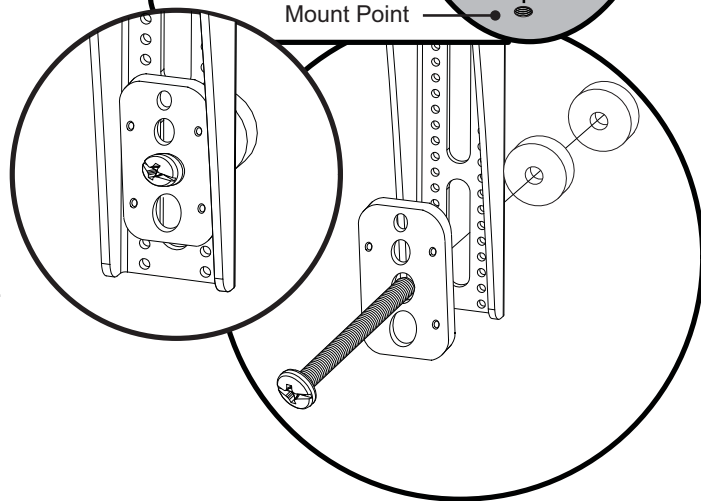
Vogel's nylon spacers allow you to attach the mounting bracket to flat panels which have recessed or uneven mount points. Each nylon spacer will add distance between the mounting bracket and your flat panel.

The nylon spacers must only be installed between the mounting bracket and your flat panel.

When using spacers, there must be at least 10mm of exposed screw thread.

The nylon spacers will fit M4, M5, M6 and M8 screw sizes.

Proceed to the “**Mounting Bracket Installation**” section.



Mounting Bracket Installation

? Does your flat panel have a mount pattern for the mount points greater than 506mm high x 876mm wide?

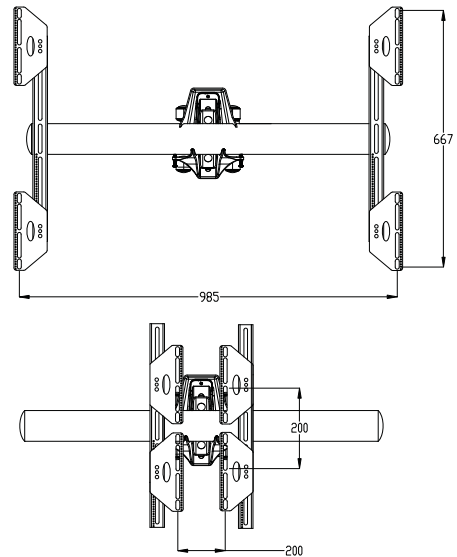
If **No**, proceed to the “**Universal Bracket Installation**” section.

If **Yes**, proceed to the “**Adapter Plate Installation (Optional)**” section.

Your PFW6852 Adapter Plates allow the PFW6852 mount to accommodate very large flat panel mount patterns. Refer to your flat panel User's Guide for information regarding mount point distances and patterns.

PFW6852 without Adapters: Width Height
 Minimum: 240mm x 120mm
 Maximum: 506mm x 876mm

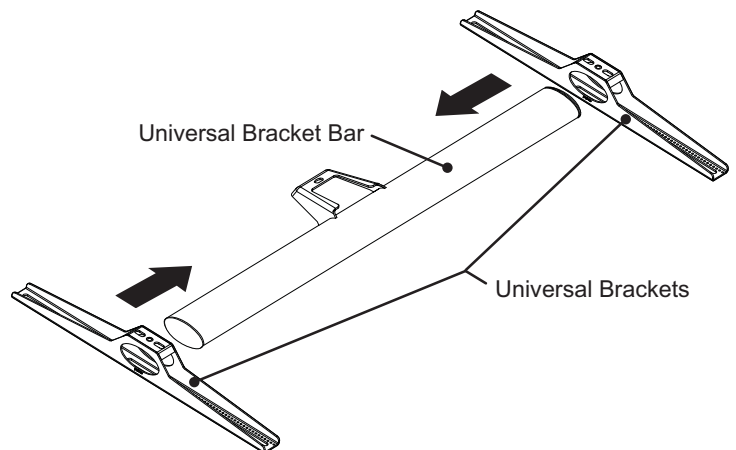
PFW6852 with Adapters: Width Height
 Minimum: 200mm x 200mm
 Maximum: 985mm x 667mm



Universal Bracket Installation

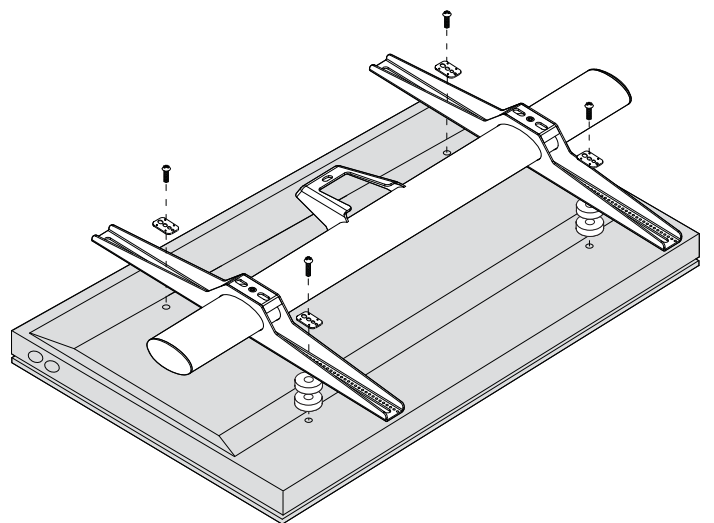
Step 1

- 1 Place the Universal Bracket Bar and the Universal Brackets on a flat surface.
 - 2 Slide the Universal Brackets onto the Universal Bracket Bar with the set screws facing up.
- !** Do not tighten the set screws that are located on the back of each Universal Bracket.



Step 2

- 1 Place the flat panel on a soft, flat surface, face-down.
- 2 Place nylon spacers over mount points, as determined in the “**Nylon Spacer Installation**” section.
- 3 Place the Universal Bracket assembly on the back of the display, with the Universal Brackets resting directly over the flat panel mount points.
- 4 Place a Griplate™ over each mount point and secure them using the mounting hardware determined in the “**Selecting the Mounting Hardware**” section.



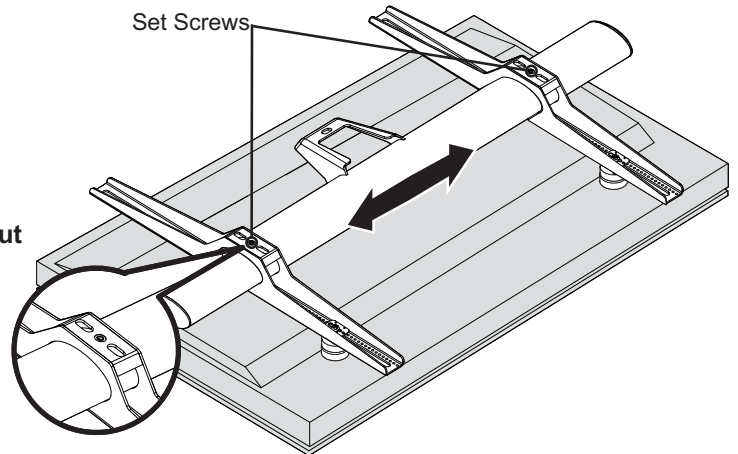
Mounting Bracket Installation (cont'd)

Step 3

- 1 Center the Universal Bracket Bar.
- 2 Use the $\frac{5}{32}$ " Allen wrench to tighten the set screws that are located on the back of each Universal Bracket.

 Do not overtighten the set screws.

Proceed to “Attaching the Flat Panel to the Swingout Arm” section.




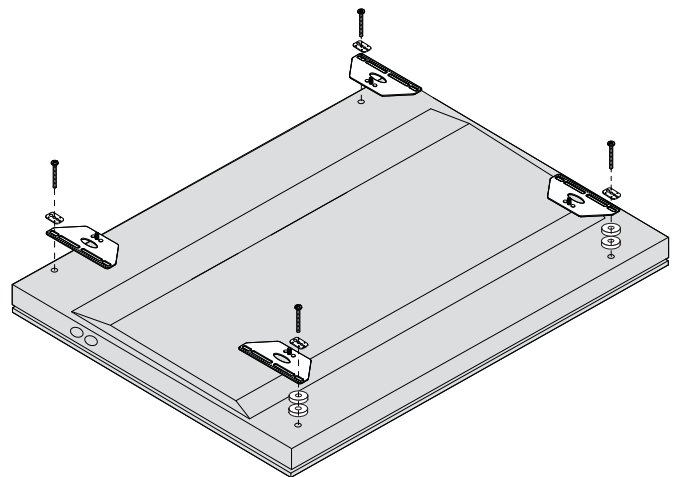
Adapter Plate Installation (Optional)

Step 1

Attach the Adapter Plates to the flat panel using Griplates™ and the mounting hardware determined in the “Selecting the Mounting Hardware” and “Nylon Spacer Installation” sections.

Do not tighten the mounting hardware at this time.

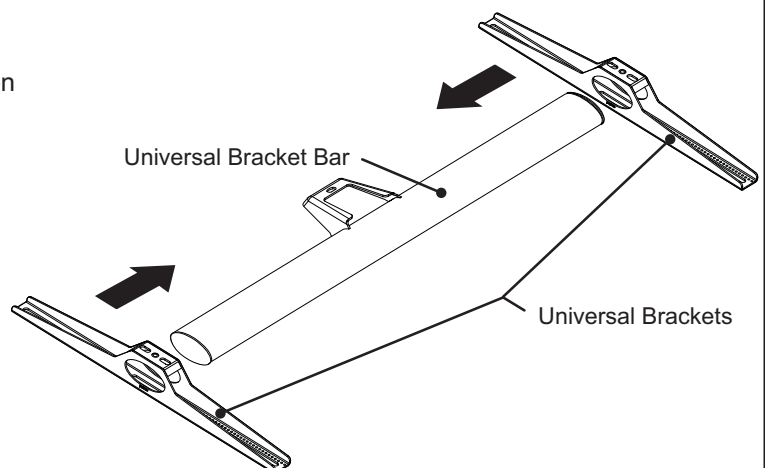
 If M10 x 30mm mounting screws are needed for your installation, Griplate™ washers cannot be used. Please use the four (4) $\frac{5}{16}$ " flat washers (supplied) with the M10 x 30mm screws to attach the adapter plates to the flat panel.



Step 2

Slide the Universal Brackets onto the Universal Bracket Bar with the set screws facing up.

 **Caution!** Do not tighten the set screws that are located on the back of each Universal Bracket.



Mounting Bracket Installation (cont'd)

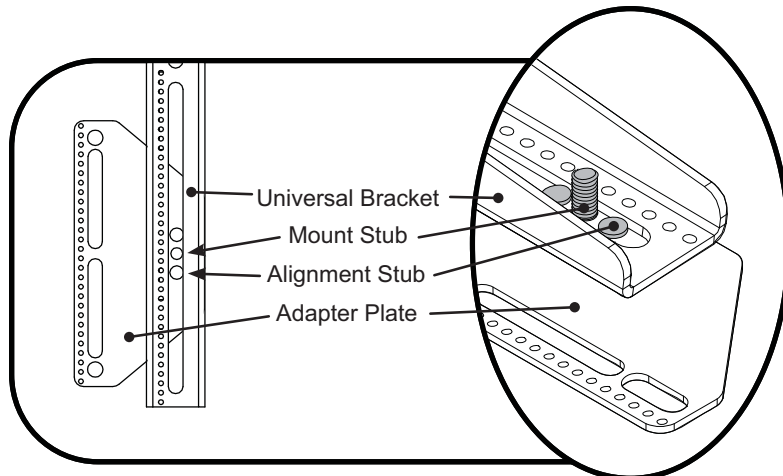
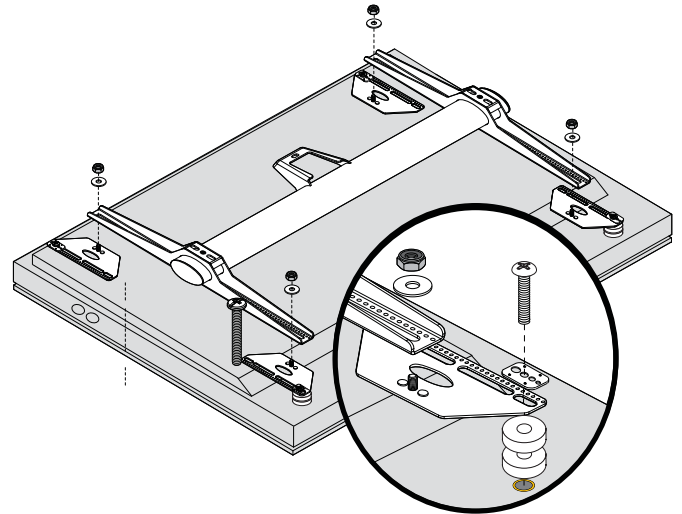
Step 3

- 1 Place the Universal Bracket assembly on the back of the display, with the threaded mount studs on the Adapter Plates passing through the mount slots on the Universal Brackets.
- 2 Place one (1) $\frac{5}{16}$ " washer and one (1) M8 nylon nut on each threaded mount stud.
- 3 Use a socket wrench and $\frac{1}{2}$ " socket to tighten all M8 nylon nuts.
- 4 Use a screwdriver and tighten the mounting hardware determined in the "Selecting the Mounting Hardware" section.



Note!

Make certain that the two Alignment Stubs on each Adapter Plate are properly seated in the Universal Bracket slots. The Alignment Stubs help keep the Universal Bracket assembly aligned and level during installation.



Step 4

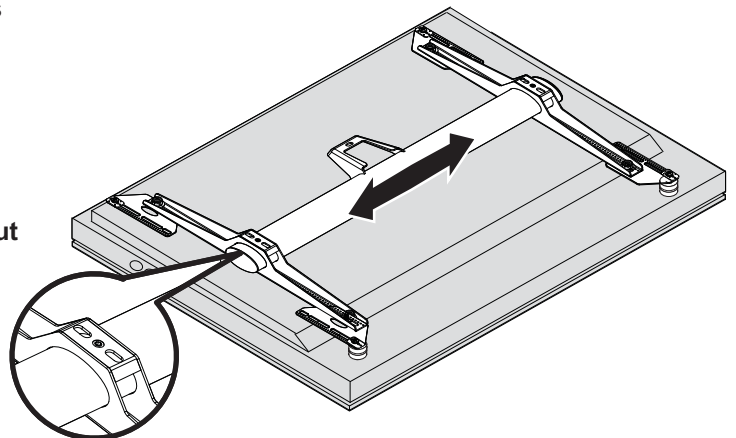
- 1 Center the Universal Bracket Bar.
- 2 Use the $\frac{5}{32}$ " Allen wrench to tighten the set screws that are located on the back of each Universal Bracket.



Caution!

Do not overtighten the set screws.

Proceed to "Attaching the Flat Panel to the Swingout Arm" section.



Attaching the Flat Panel to the Swingout Arm

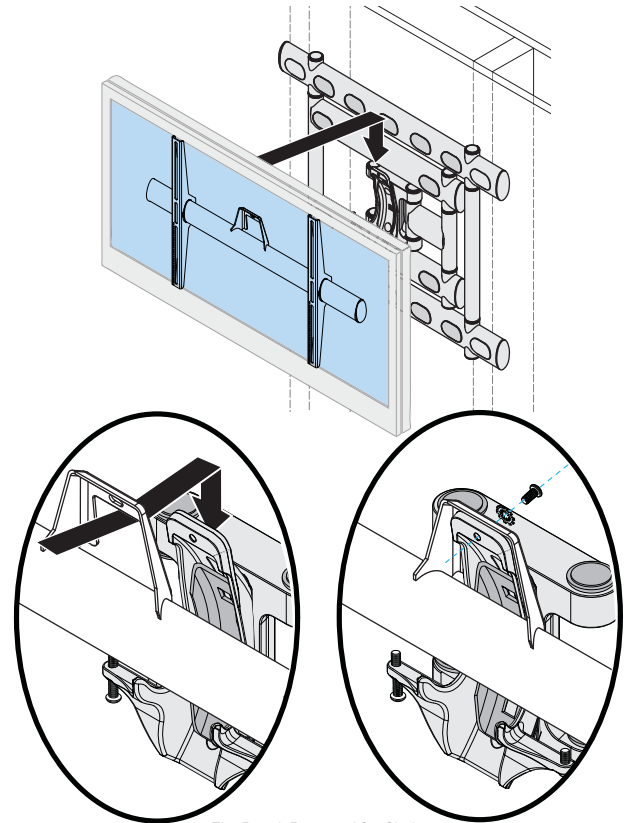
Step 1

Caution!
The following procedure requires two people.

STOP Warning!
Until you install the M6 x 12mm screw and lock washer, your flat panel can be easily dislodged, causing severe personal injury and/or property damage. Use extreme care if you push or pull on the Swingout Arm.

- 1 Lift the flat panel/Universal Bracket assembly to the Swingout Arm.
- 2 Slide the hood of the Universal Bracket Bar over the top of the Nose Piece.
- 3 Slowly lower the flat panel/mounting bracket assembly on to the Nose Piece.
- 4 Insert and tighten an M6 x 12mm screw and lock washer to secure the flat panel/mounting bracket assembly to the Swingout Arm.

STOP WARNING!
Do not release the flat panel/mounting bracket assembly until you are certain that hood of the Universal Bracket Bar is firmly seated on the Nose Piece.



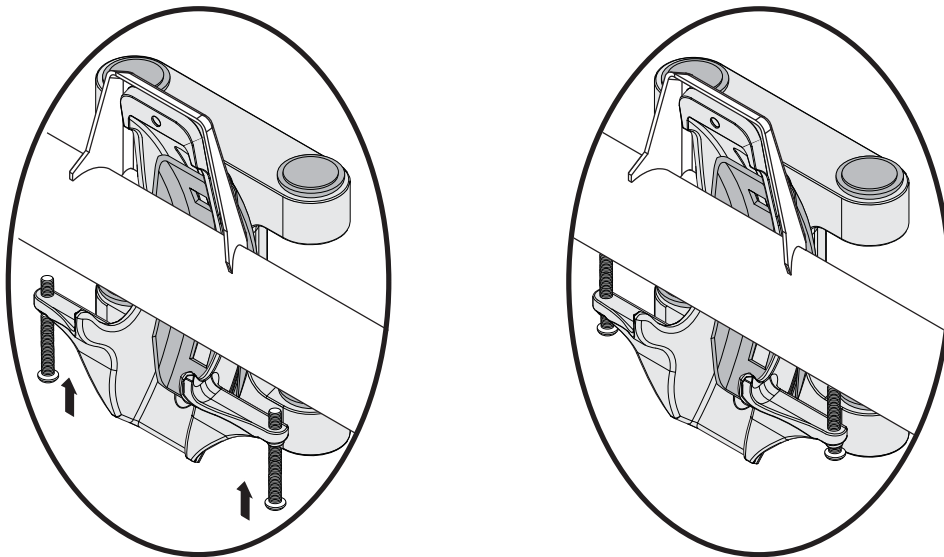
Flat Panel Removed for Clarity

Step 2

Insert and tighten two (2) M6 x 30mm locking screws into the bottom of the Nose Piece.

Caution!
Do not overtighten the M6 x 30mm locking screws.

Proceed to the “Fine Tuning & Adjustments” section.



Fine Tuning & Adjustments

Tilt Positioning

Before you can make tilt adjustments, you must loosen both tension bolt nuts one-half turn.

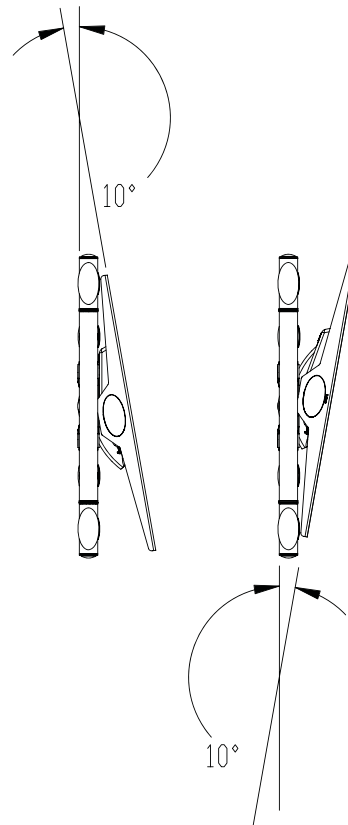
Adjusting the Tilt Angle

- 1 Place one hand at the center top edge of the flat panel.
- 2 Place the other hand on the center bottom edge of the flat panel.
- 3 Using the upper hand, gently pull the top of the flat panel towards you while the lower hand gently pushes the bottom of the flat panel away from you.

Adjusting the Flat Panel to the Original Position

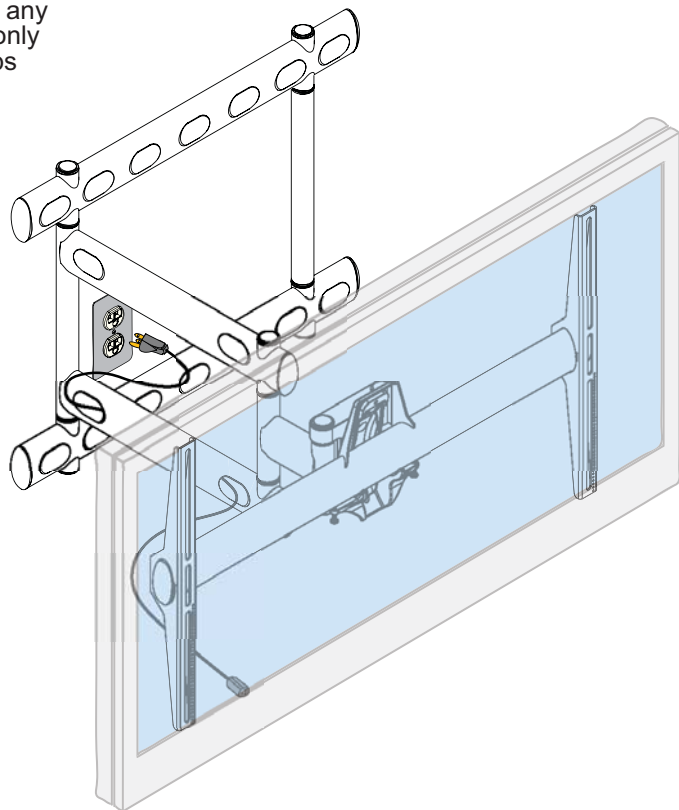
- 1 Place one hand at the center top edge of the flat panel.
- 2 Place the other hand on the center bottom edge of the flat panel.
- 3 Using the upper hand, gently push the top of the flat panel towards the wall while the lower hand gently pulls the bottom of the flat panel away from the wall.

After making any tilt adjustments, you must tighten the tension bolt nuts one-half turn.



Cable Management

You can easily route power and data cables through any of the access points on the Swingout Arm. This not only helps to prevent cables from being pinched, but helps hide unsightly cable clutter.



Technical Specifications

All measurements are in inches.

