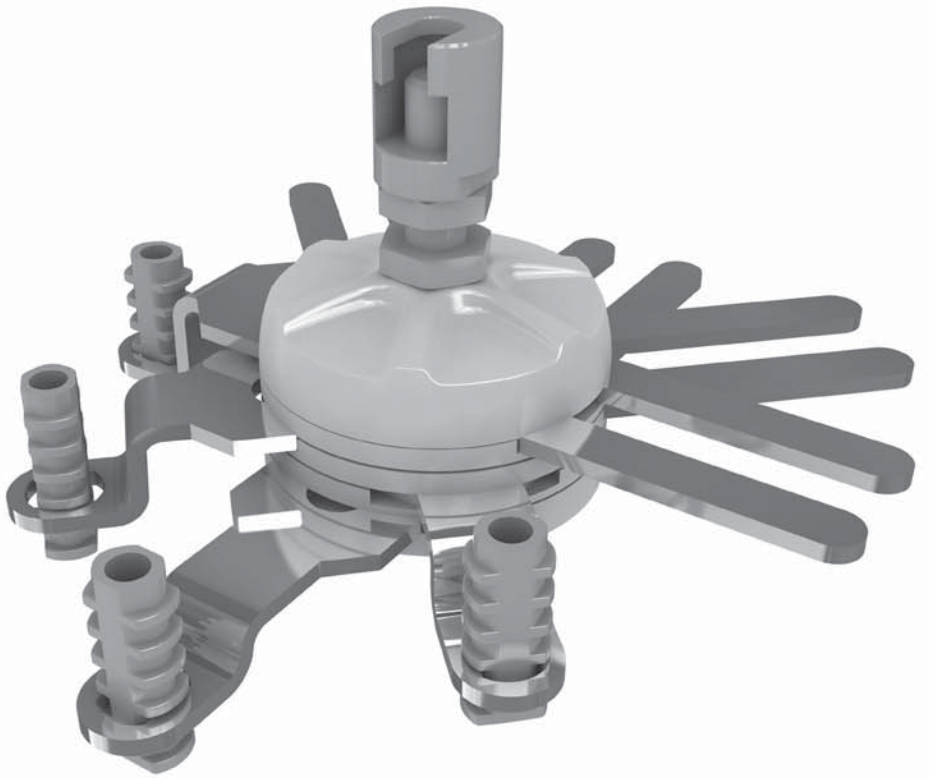
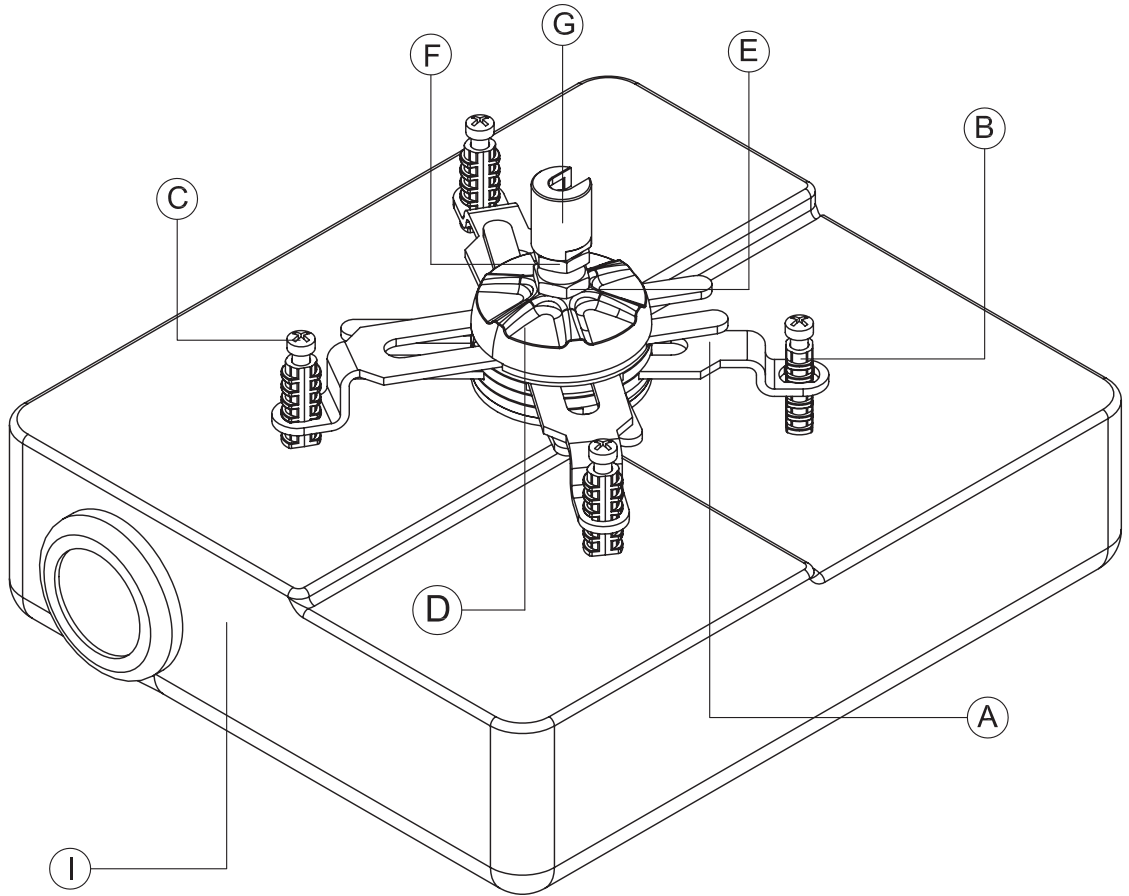


SMS PROJECTOR UNISLIDE

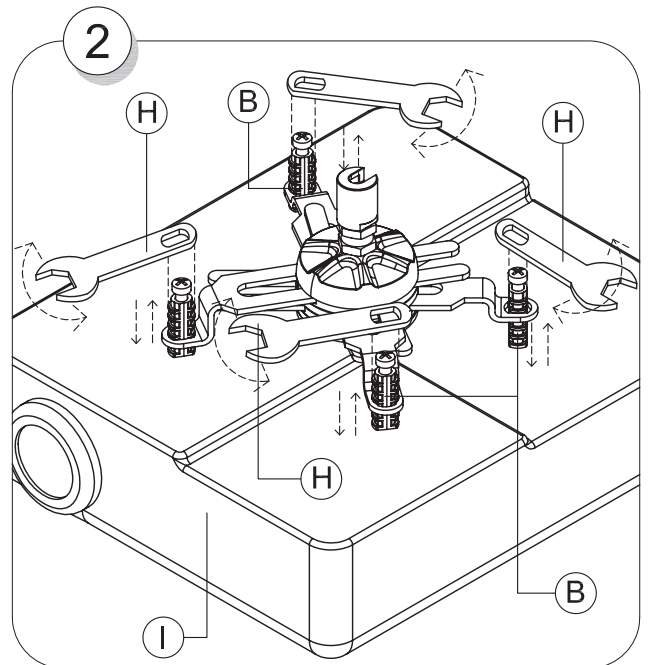
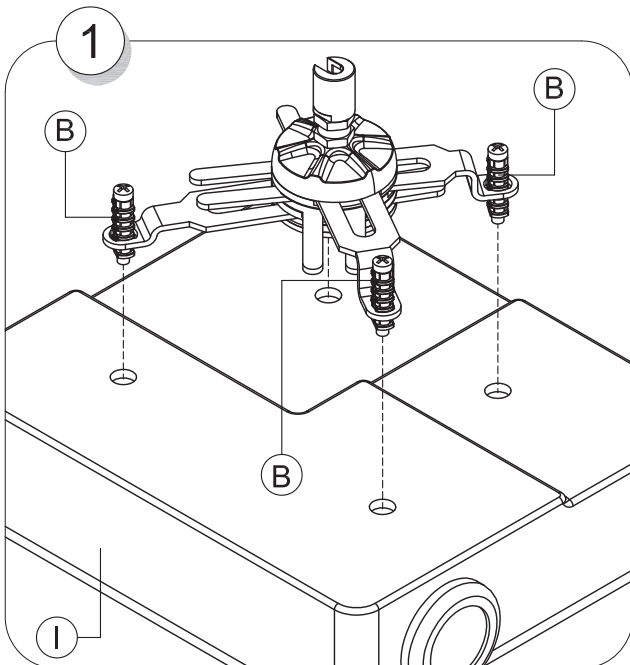


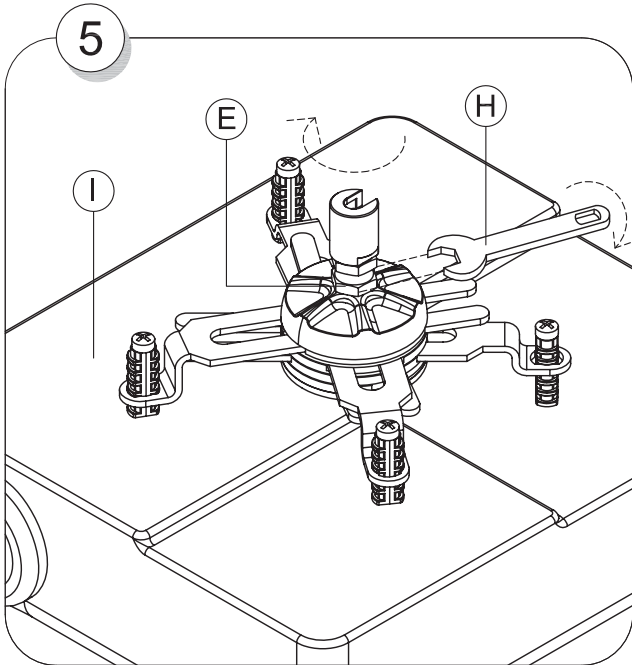
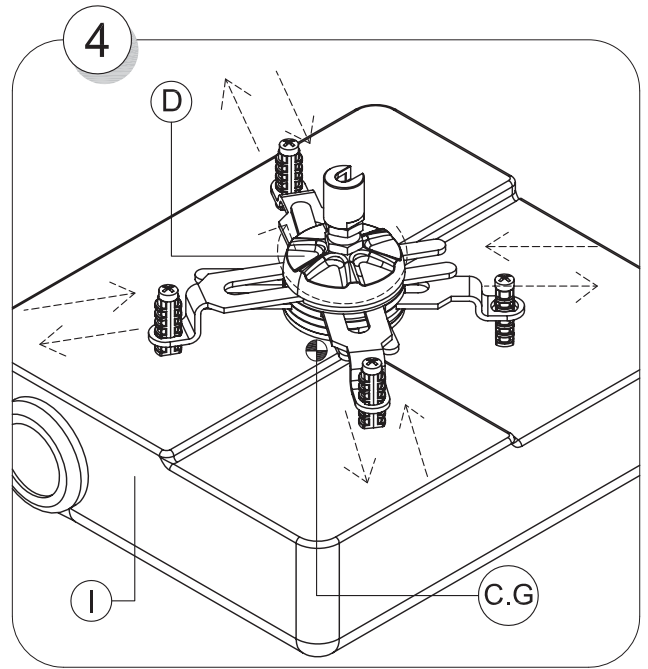
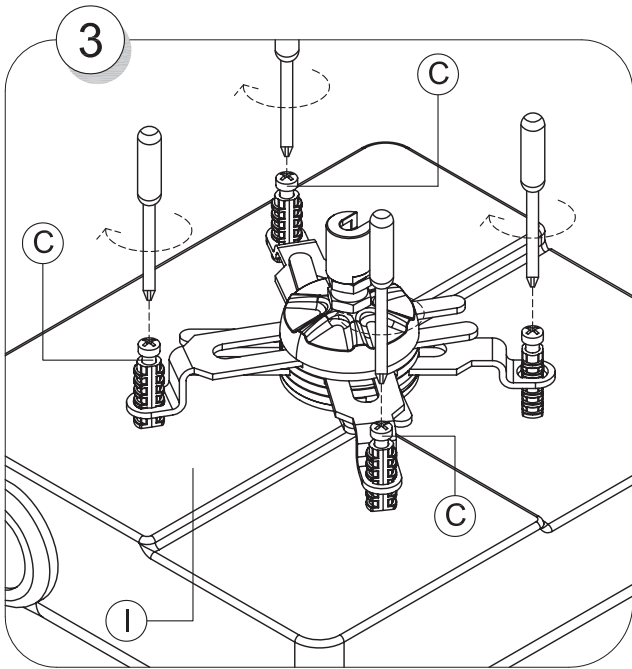


Contents

A.	Unislide arms	4+4
Parts of SMS Projector Unislide		
B.	Distance Pipes	4
C.	Screws/ Washers	1set
D.	Handle	1
E.	Lower locking nut	1

F.	Upper locking nut	1
G.	Nut	1
H.	Key	1
I.	Projector (Not included)	
C.G	Center Of Gravity	

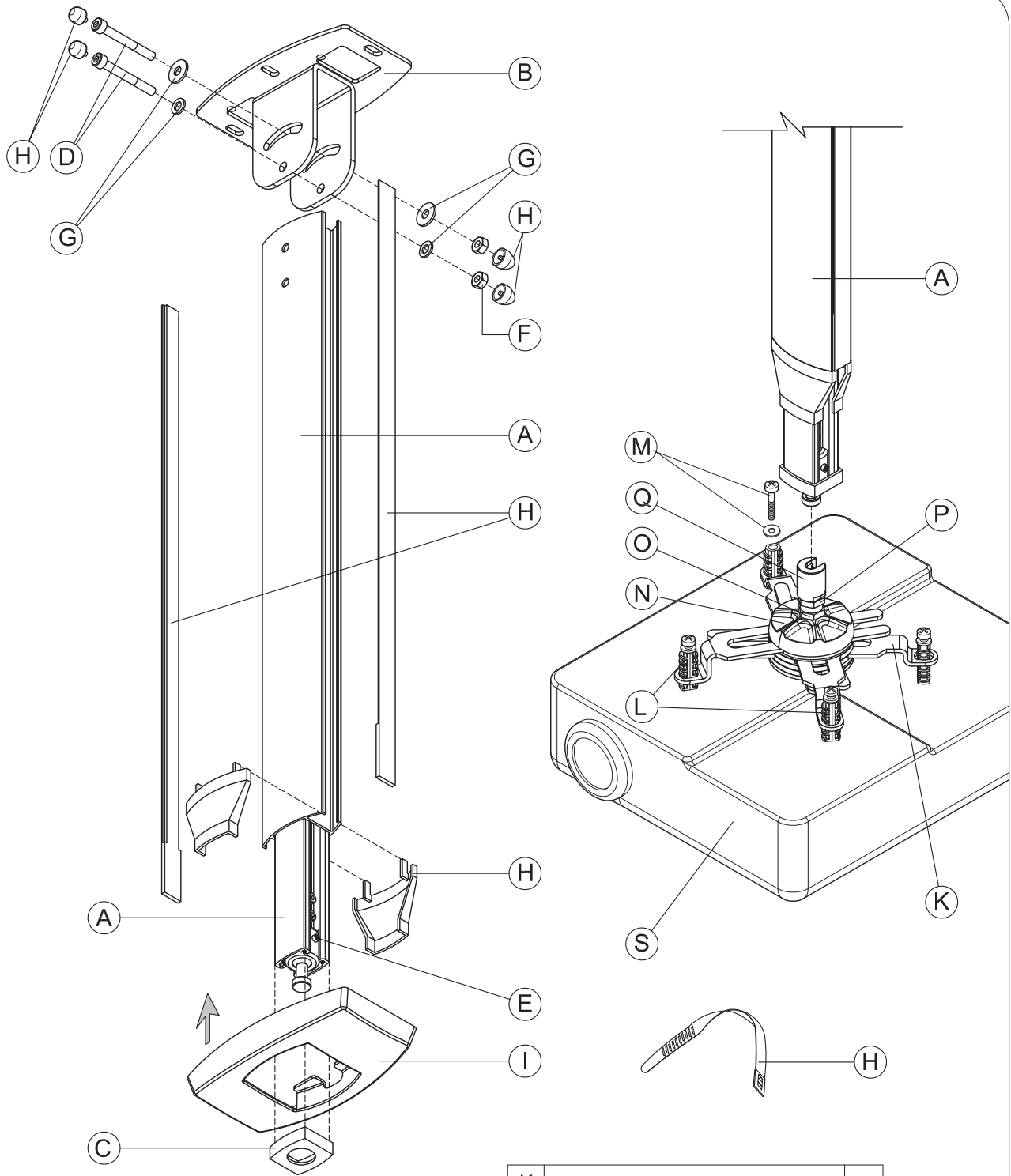












SMS PROJECTOR CLV INCLUDING UNISLIDE

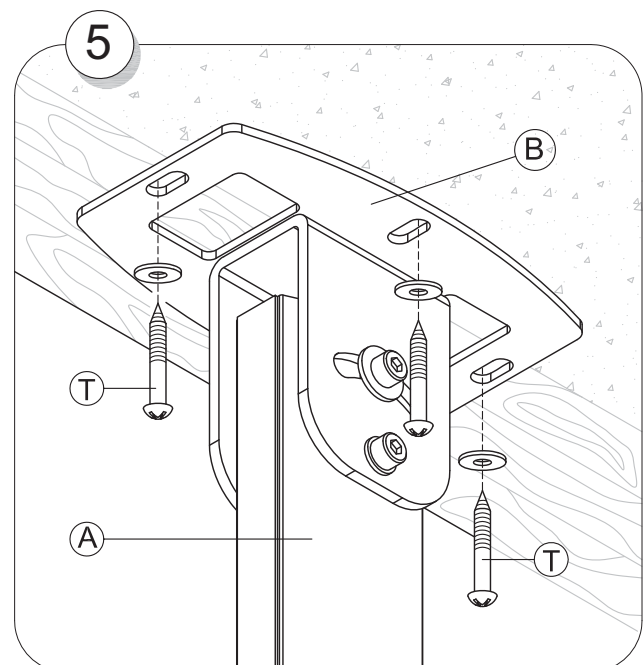
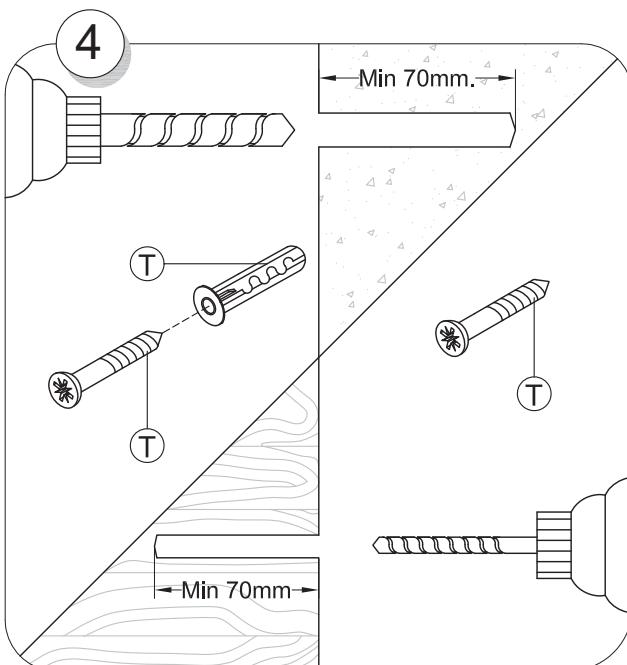
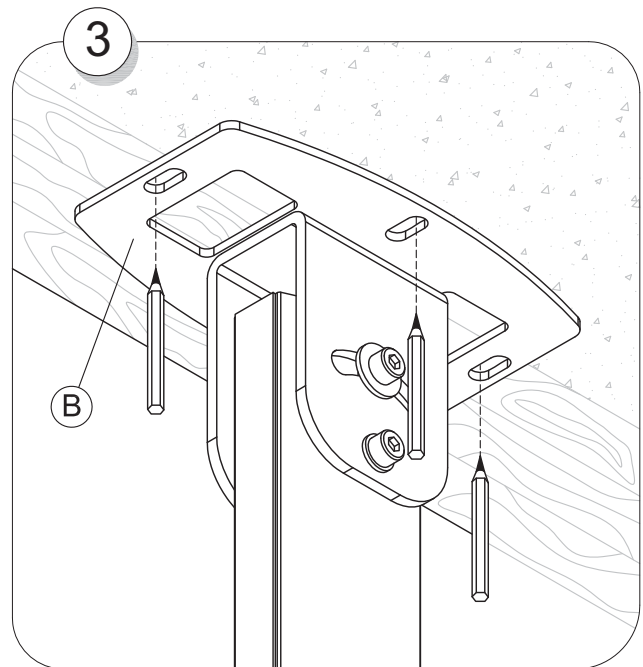
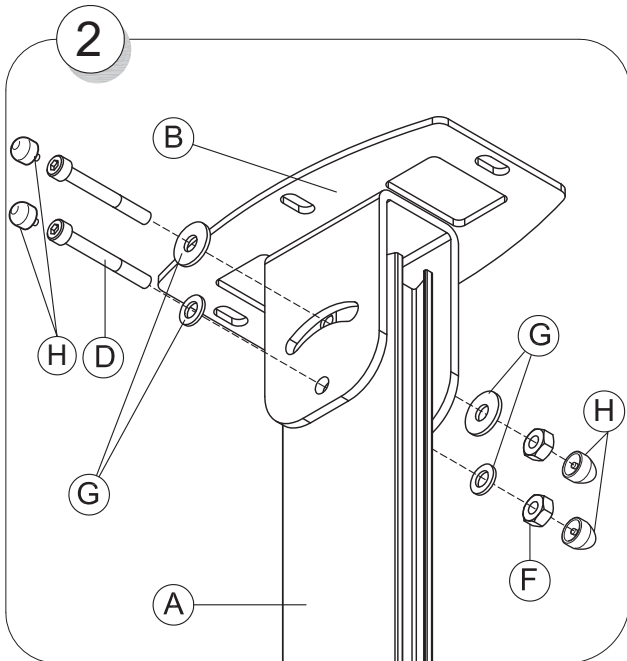
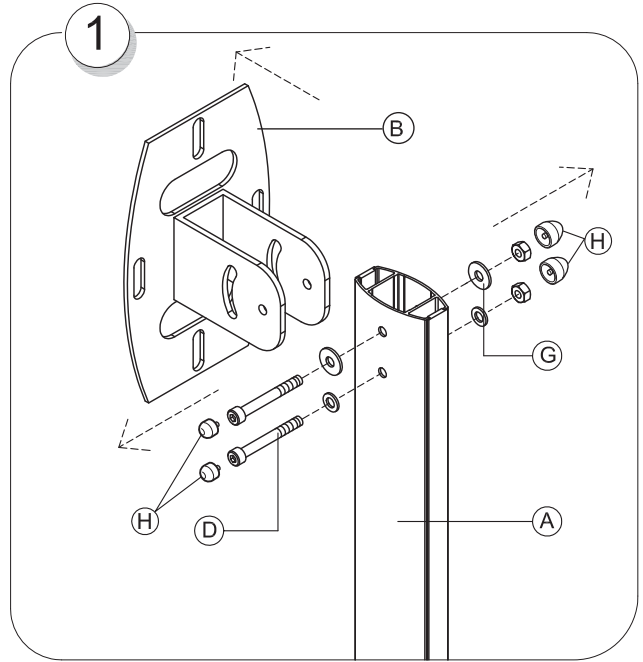
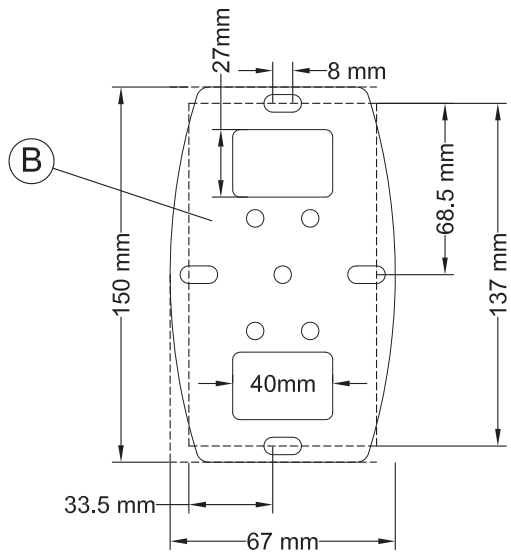




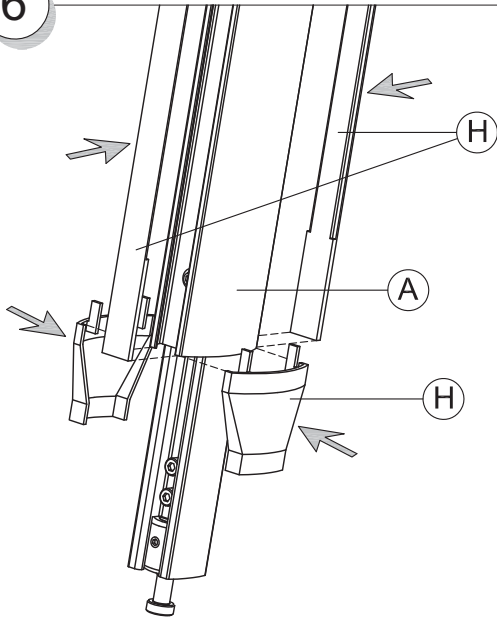
Contents		
A.	SMS Aero main body	1+1
B.	Ceiling plate complete	1
C.	Cap	1
D.	Screw M6x50	 2
E.	Screw M5x10	 2
F.	Nut M6	 2
G.	BRB 6,4 + NB 6x25	 2+2
H.	Plastic covers, list, plug & strap	2+2+4+3
I.	Plastic ceiling plate cover	1
J.	Allen Key	 4

K.	Unislide Arms	4+4
Parts of SMS Projector Unislide		
L.	Distance Pipes	4
M.	Screws/ Washers	 1set
N.	Handle	1
O.	Lower locking nut	1
P.	Upper locking nut	1
Q.	Nut	1
R.	Key	1
S.	Projector (Not included)	
T.	Ceiling screw & washer (Not incld.)	
C.G	Refers to 'Center Of Gravity'	

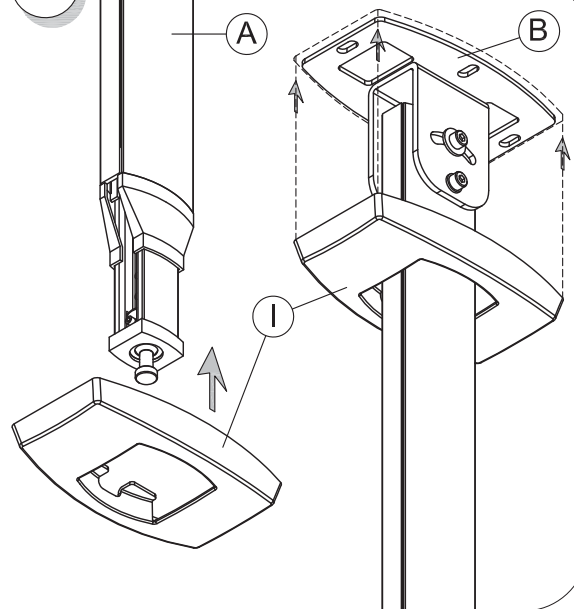
Holes Pattern SMS Projector CL V Ceiling Plate



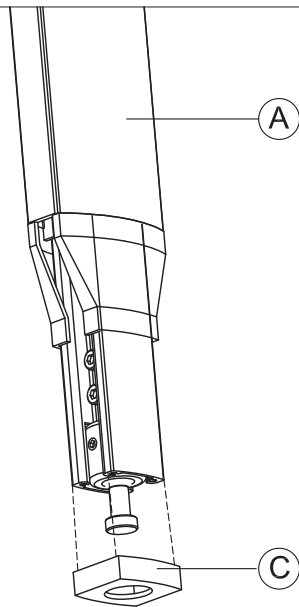
6



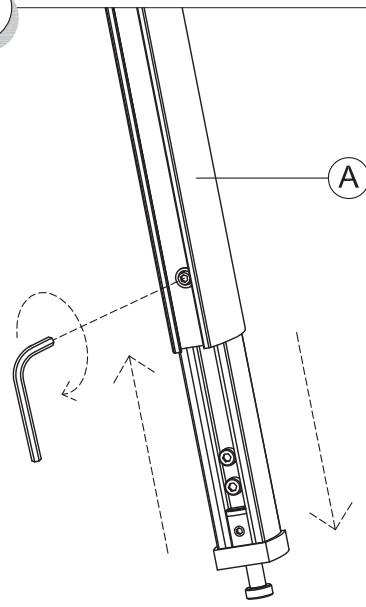
7



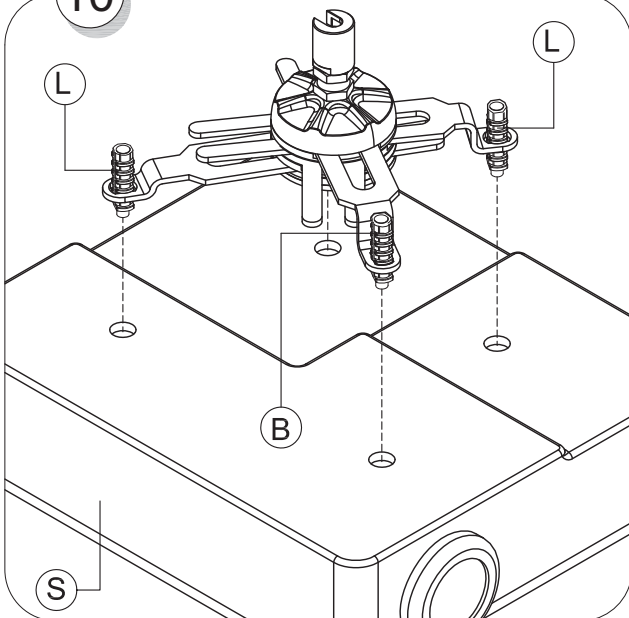
8



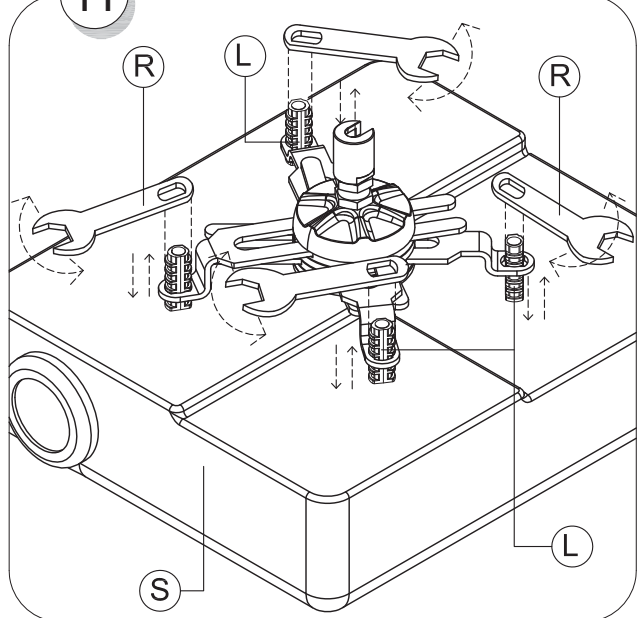
9

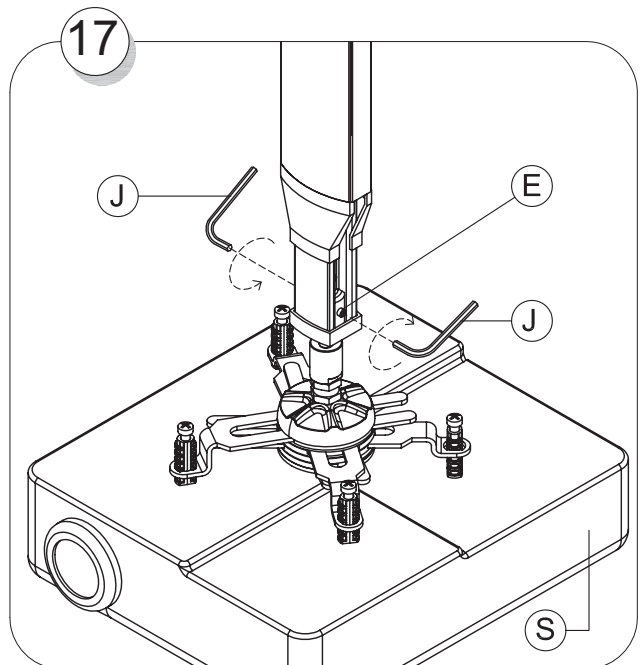
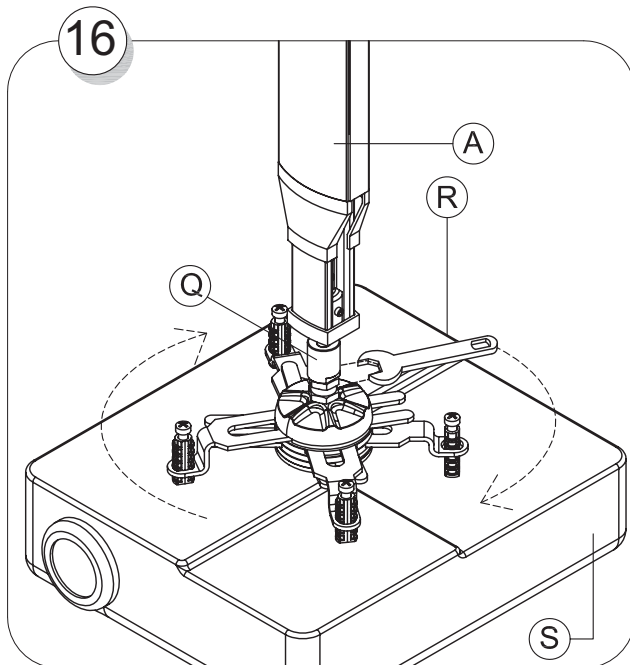
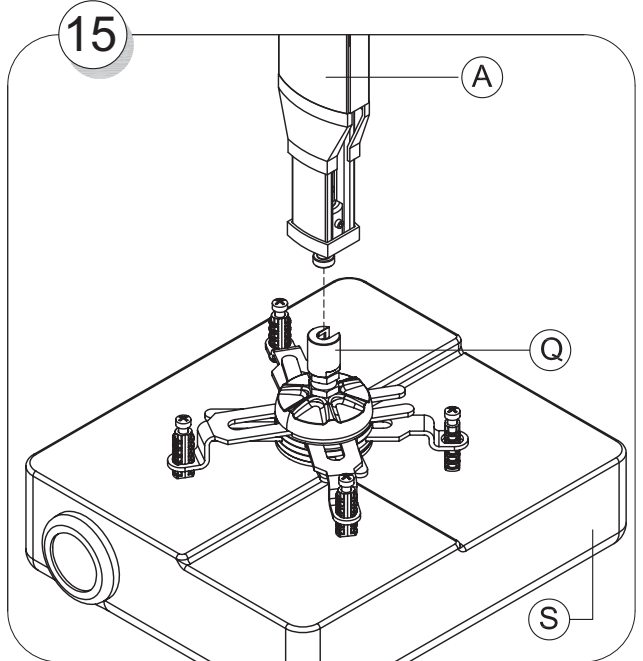
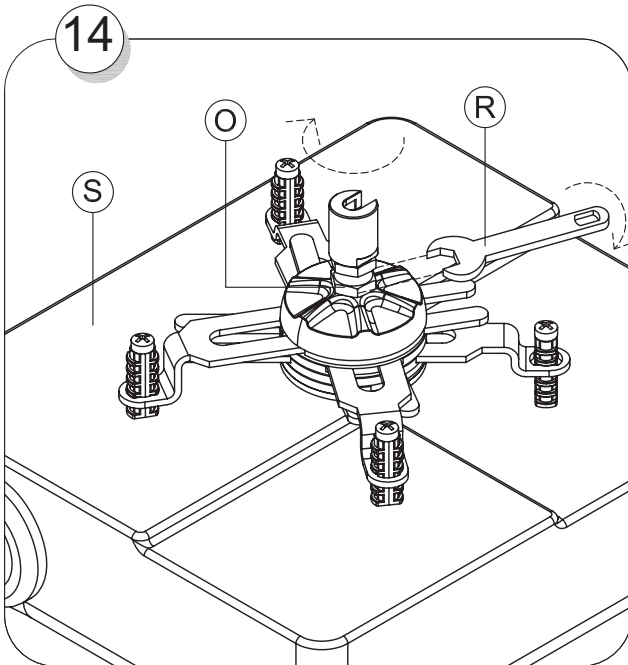
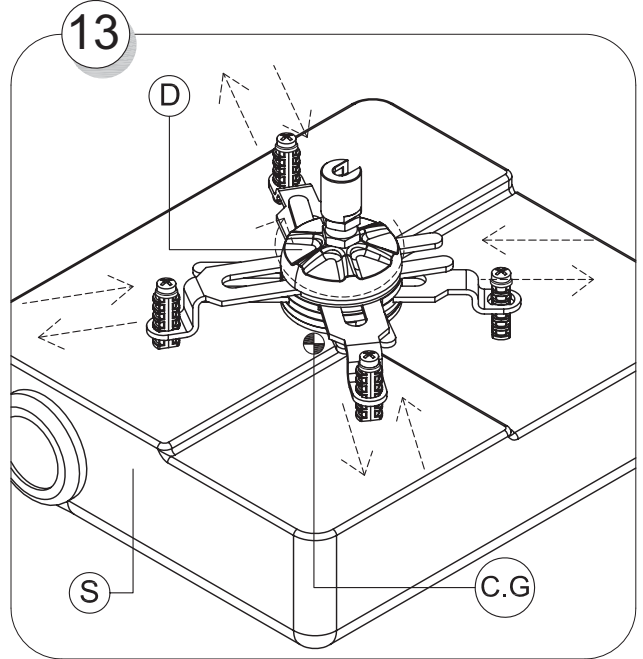
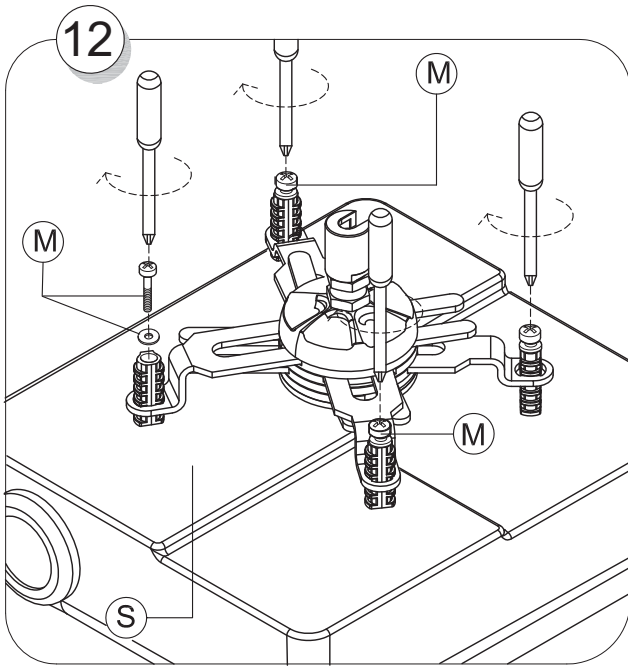


10



11







2009-05-25

www.SmartMediaSolutions.se

SMS SmartMediaSolutions AB, Hästholmsvägen 32, SE-13130 Nacka, +46 (0)8 448 26 60