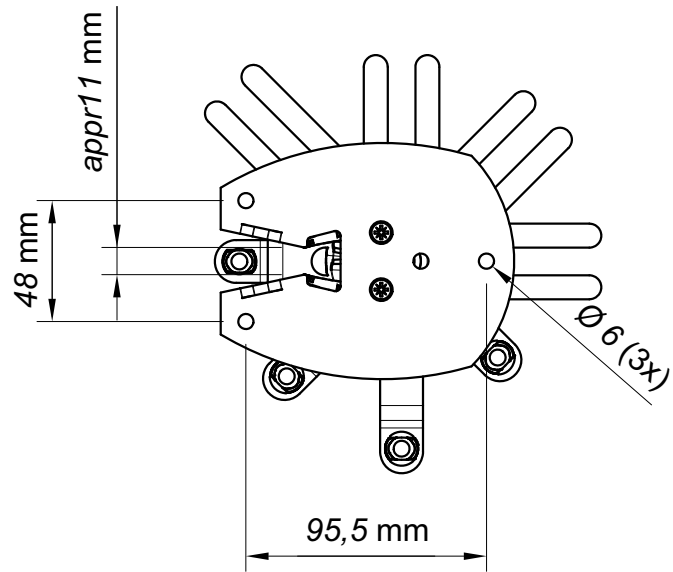
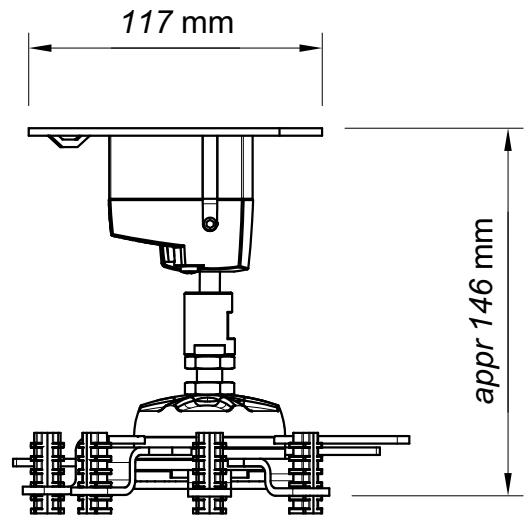
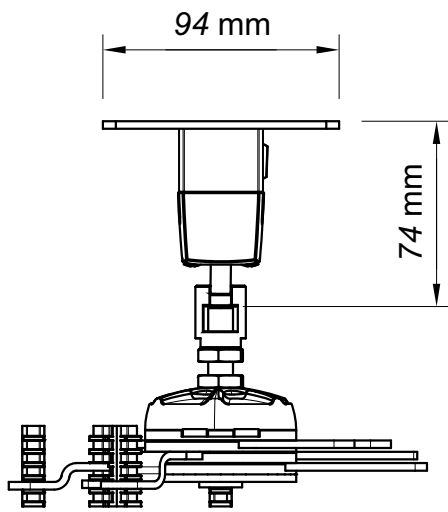


# AE014015 CL F75 incl Unislide Dimensions



# AE014025/27/28 CL F250/500/700 incl Unislide Dimensions

