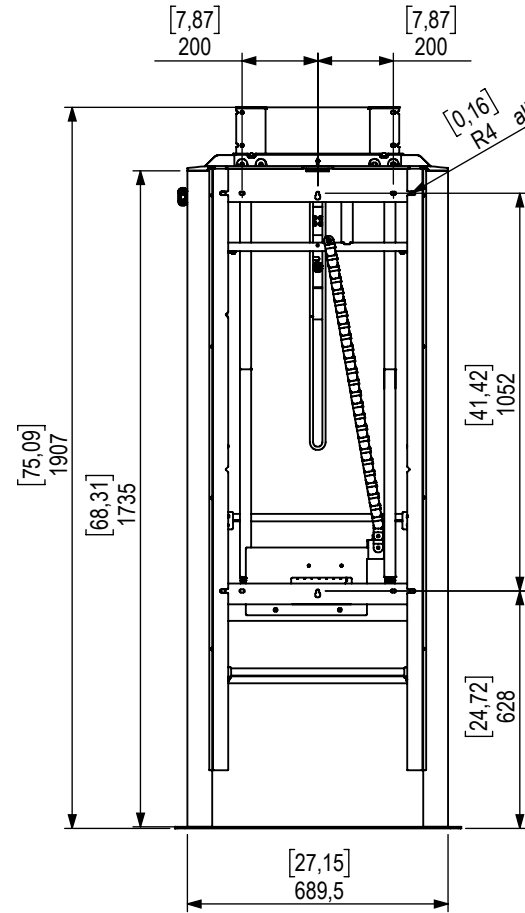
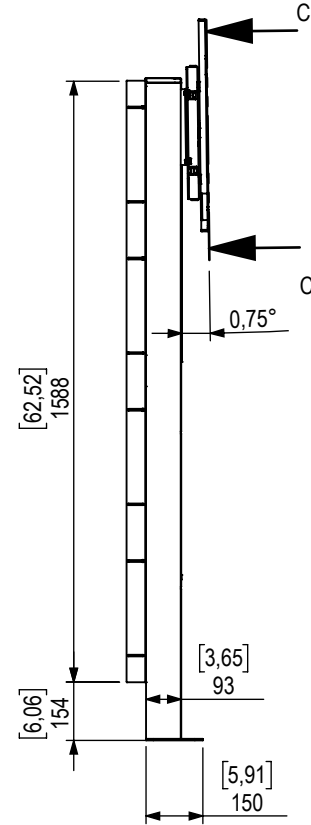
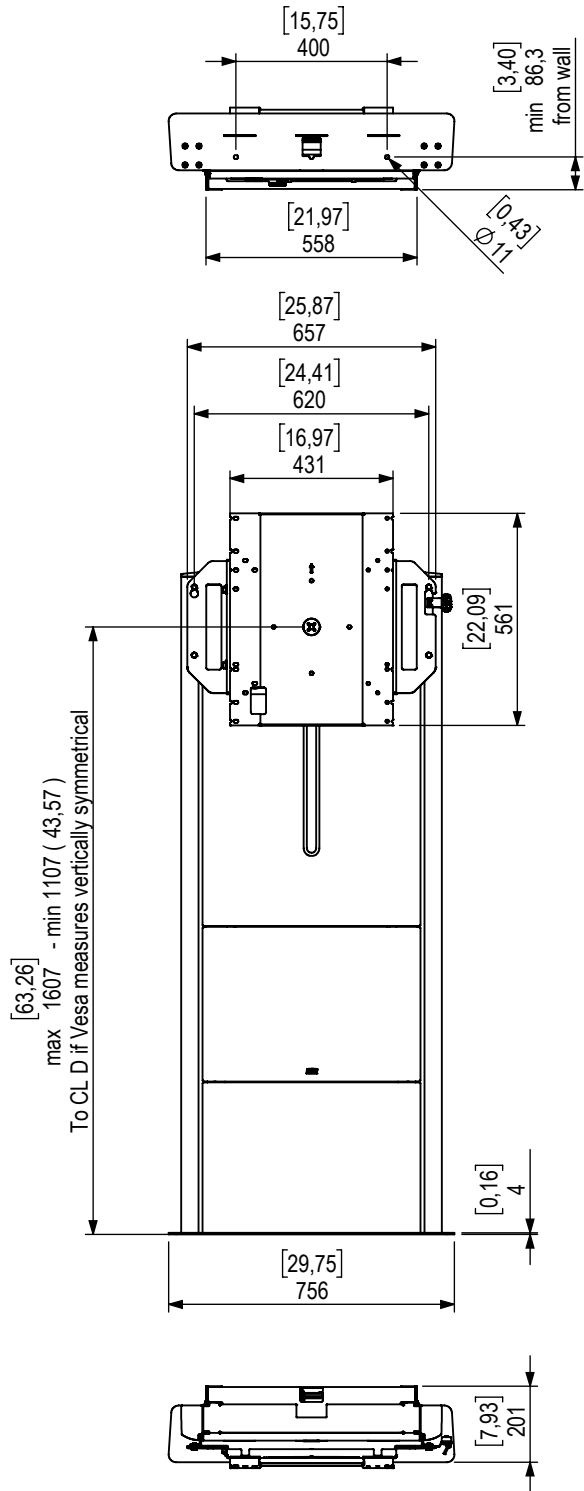


Technical drawing (mm/inch)

K05-146-22 / K05-146-62 SMS Presence Wall-Floor Motor Flipster (Scale 1:20)

CL D - Centrum Line Display



SECTION C-C
SCALE 1 : 12

