

# PRESENCE WALL/FLOOR VC MOTORIZED



Everyone can reach it

Makes it easy to handle large and heavy displays

Now updated to carry displays up to total 120kg.

Do you need to mount large and heavy displays or touch sensitive displays on a regular wall? With a quick, easy and stylish installation too? SMS Presence Wall/Floor VC Motorized takes your videoconferencing to a new level.

SMS Presence Wall/Floor VC Motorized combines our unique Presence solution which completely hides cables and peripherals inside the body of the stand, with a smart design that shifts the weight to the floor.

## Everyone can reach

This ensures that the stand itself uses very little floor space and you can mount very heavy displays on a regular wall.

It doesn't matter if the user is very tall, a child or wheel chair carried, everyone can reach thanks to the soft motorized height adjustment. The motorized height adjustment is readily available from a button at the side of the unit, behind the displays, and works for most markets (both 110 and 230 V).

Fine adjustment possibilities allows for edge-to-edge mounting of displays. The displays can be locked with the accompanying locking screw for personal safety, or with a padlock (not included) which provides increased protection from theft. The design is protected.

Maximum display weight is 60 kg per display.

## ARTICLE NUMBER

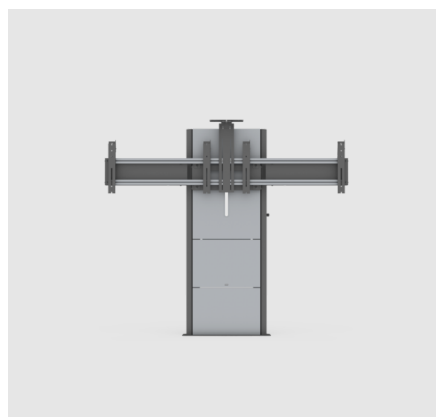
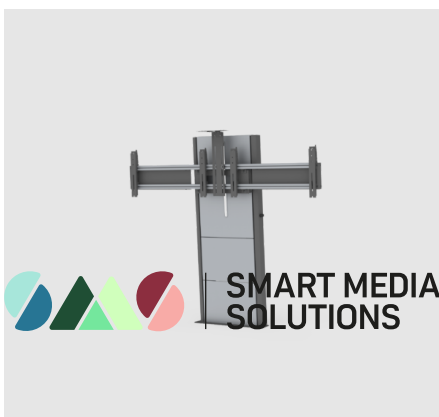
C591U006-2C0  
SMS Presence W/F Motor VC 120 800x400  
EU

## INCLUDED PRODUCTS

SMS Presence W/F Motor Body 150  
1 x C591U005-2B1  
SMS Presence W/F VC Holder EU  
1 x C5-11U006-2-C-2

## INFO

<b>PLACEMENT</b>	Wall/Floor
<b>ROTATION</b>	Landscape
<b>MOTORIZED</b>	Yes
<b>LOCKABLE</b>	Yes
<b>HEIGHT ADJUSTABLE</b>	Yes
<b>HEIGHT ADJUSTABLE SPEC</b>	Stroke length 500 mm
<b>MULTI DISPLAY</b>	Yes
<b>CERTIFICATES</b>	CE
<b>VESA HORIZONTAL</b>	200 - 800
<b>VESA VERTICAL</b>	100 - 400
<b>MAX WEIGHT [KG]</b>	120
<b>SCREEN SIZE</b>	Depending on VESA, please see manual
<b>WARRANTY [YEARS]</b>	2



# PRODUCT VARIATIONS

C591U006-2E0 - SMS PRESENCE W/F MOT OR VC 120 800X400 UK

---

C591U006-2C0 - SMS PRESENCE W/F MOT OR VC 120 800X400 EU

## ACCESSORIES



### PRESENCE CAMERA SHELF

PR100001



### REMOTE CONTROL KIT

AE018002



### SMS PRESENCE SHELF - WALL/FLOOR

PR100004-P0

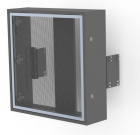
### SMS PRESENCE SHELF - MOBILE

PR100002-P0



### SMS PRESENCE VESA BARS 600

PR210201



### SMS PRESENCE TOWER BOX - WALL/FLOOR

C5-21U004-2-A

### SMS PRESENCE TOWER BOX - MOBILE

C5-21U006-2-A