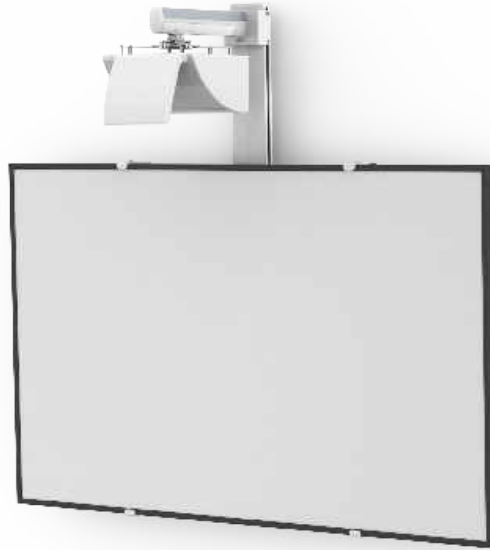


FUNC SHORT THROW

WALL MOTORIZED



Board and projector are not included.

Height adjustable interactivity.

An ergonomic and flexible stand that is easy to install. This solution, with its stable design, is perfect for large interactive boards. The motorized height adjustment (applicable to most markets) is soft and quiet, readily available from a button under the interactive board. Func Short Throw Wall Motorized has a simplified mounting procedure compared to its predecessors, and is all in all a very stable and functional alternative for both schools and conference facilities.

Choose SMS universal slide to match the projector, alternatively an adapter for projectors with a projector pillar already included. The stand can be adjusted both vertically and horizontally upon installation.

The possibility to fine tune the height of the projector pillar gives you the best possible image. The attachments for the interactive board are universal which means the product can be used with most currently available interactive boards on the market.

INFO

Finish: White

Tilt with SMS projector unislide: $\pm 15^\circ$

Travel/Stroke: 500 mm

Maximum projector weight: 8 kg

Maximum total weight: 50 kg

Maximum board height: 1500 mm minus the vertical projection distance.

Maximum board depth: 90 mm.

Note: The maximum weight specifies the load capacity for the motor and stand. User experience may differ, depending on the choice of projector and interactive board. SMS is not responsible for such variation.

Adjustments: Motorized raising and lowering

Guarantee: 2 years.

ABOUT THE PRODUCT

- One package provides secure and cost effective shipping.
- Simple mounting procedure due to pre mounted parts.
- Available with SMS unislide alternatively an adapter to match projectors with projector pillar already included.
- Motorized up and down travel (100 VAC – 240 VAC, 50/60 Hz)
- Universal board holders, fits most interactive boards on the market



ORDERING

ART. NO.

FST081001-MT Func Short Throw Wall Motorized
FST081001UK-MT Func Short Throw Wall Motorized UK
FST081001US-MT Func Short Throw Wall Motorized US

A: CHOOSE AN SMS PROJECTOR PILLAR:

FS000450AW-P2 SMS Proj Short Throw 450 mm
Aluminum/White
FS000680AW-P2 SMS Proj Short Throw 680 mm
Aluminum/White
FS001202AW-P2 SMS Proj Short Throw 1200 mm
Aluminum/White
FS001450AW-P2 SMS Proj Short Throw 1450 mm
Aluminum/White
FS001600AW-P2 SMS Proj Short Throw 1600 mm
Aluminum/White

A: IF YOU WANT TO USE SMS PROJECTOR PILLAR, ORDER:

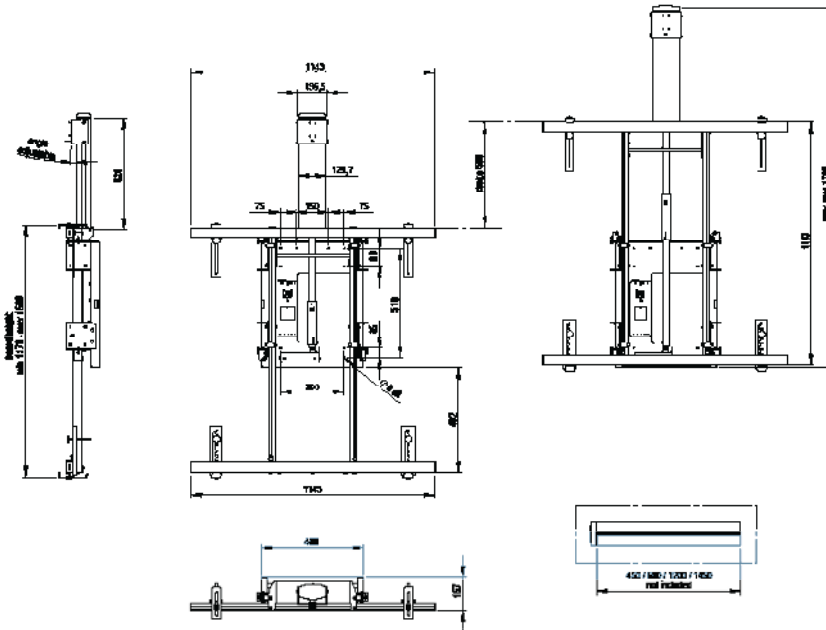
AE022021 SMS Projector Short Throw Unislide White

B: IF YOU WANT TO USE A PROJECTOR THAT INCLUDES THE PROJECTOR PILLAR:

Contact SMS for available adapters

▲ TECHNICAL DRAWING (MM)

FST081001-MT FUNC SHORT THROW WALL MOTORIZED



Robust attachment to wall.

▲ ACCESSORIES

AE018002 SMS Remote Control Kit
(Wireless remote control)

For a complete list of accessories, see
www.smartmediasolutions.se