

SMS Projector CL V



Taking your projector to new heights.

The catchword for this ceiling bracket is “easy”. Easy to install, easy to adjust and easy to like. The SMS Unislide is included in the package. SMS Projector CL V is our flagship projector bracket (and probable the most-sold in Europe). Elegant, functional and very reliable. It's easy to adjust the length and angle of the bracket. SMS Projector CL V holds your projector upside down – it's the best way to get the most out of your projector. A white cover plate for suspended ceilings is available as an accessory. It can be mounted last, when all cables are in place, for simple and nice-looking installation.

INFO

Color: Aluminum/silver or aluminum/black.
 Max load: 12 kg
 Length: 300-350, 350-450, 400-550, 500-750, 650-900, 850-1100, 1050-1300, 1250-1500, 1450-1700, 1650-1900, 1850-2100, 2050-2300, och 2150-2400 mm.
 Swivel & Tilt: The projector can be swiveled 360° and tilted 25°.
 Ceiling plate: 190x120 mm

The SMS Unislide is included in the package.

ART. NO.

- AE012053**
- AE012055**
- AE012058**
- AE012061**
- AE012064**
- AE021020**
- AE021021**
- AE021022**
- AE021023**
- AE021024**
- AE021025**
- AE021026**
- AE021027**

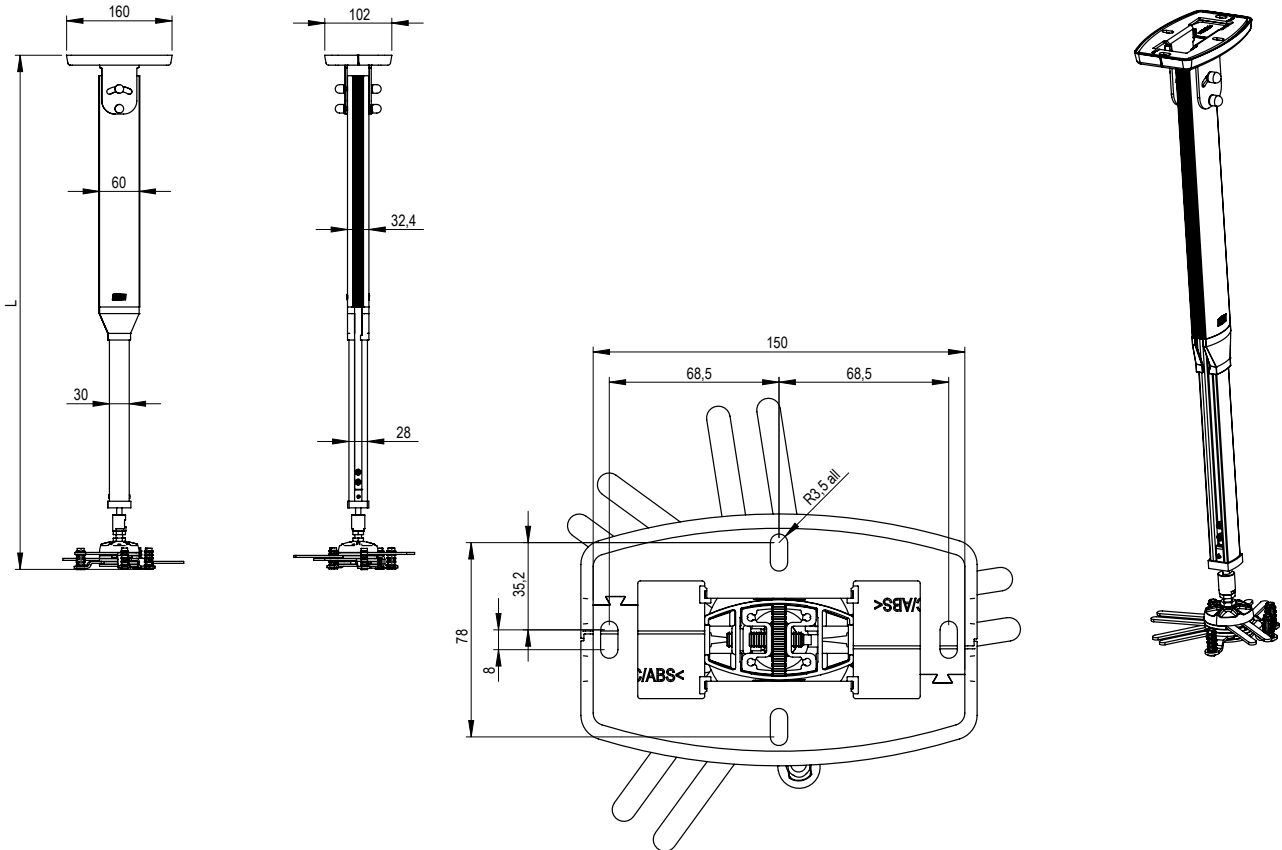
DESCRIPTION

- SMS Projector CL V 500-750 A/B
- SMS Projector CL V 500-750 A/S
- SMS Projector CL V 650-900 A/S
- SMS Projector CL V 850-1100 A/S
- SMS Projector CL V 1050-1300 A/S
- SMS Projector CL V 350-450 A/S
- SMS Projector CL V 400-550 A/S
- SMS Projector CL V 1250-1500A/S
- SMS Projector CL V 1450-1700A/S
- SMS Projector CL V 1650-1900A/S
- SMS Projector CL V 1850-2100A/S
- SMS Projector CL V 2050-2300A/S
- SMS Projector CL V 2150-2400A/S

Accessories

- FS040013** SMS Clamp Black/Silver
- AE050011** Cover Plate CM V/CL V

PRODUCT DIMENSIONS [mm]



We reserve the right to introduce changes in the product specifications after the printing and publication of this document.