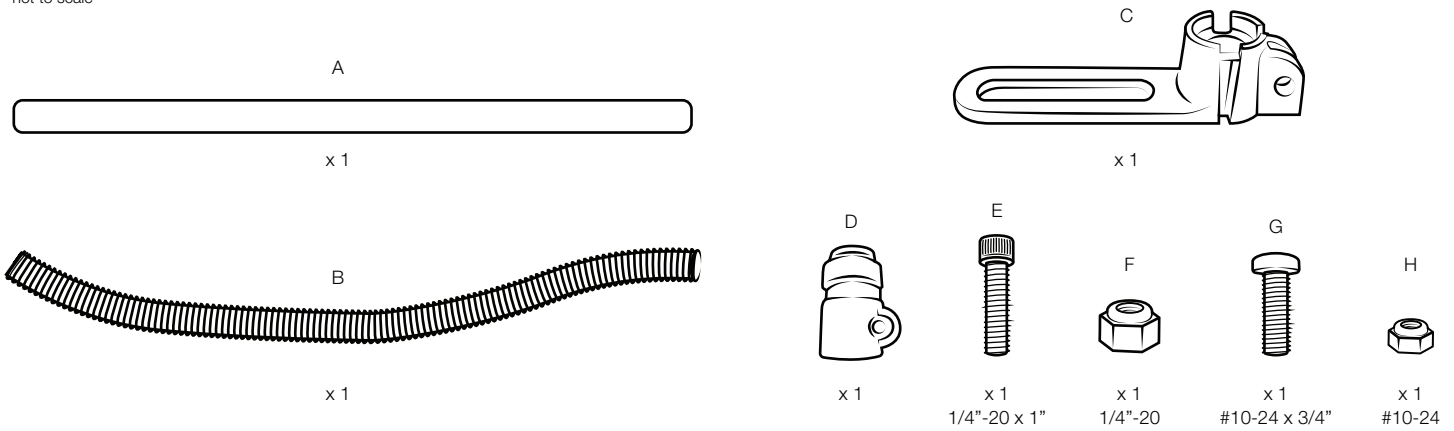


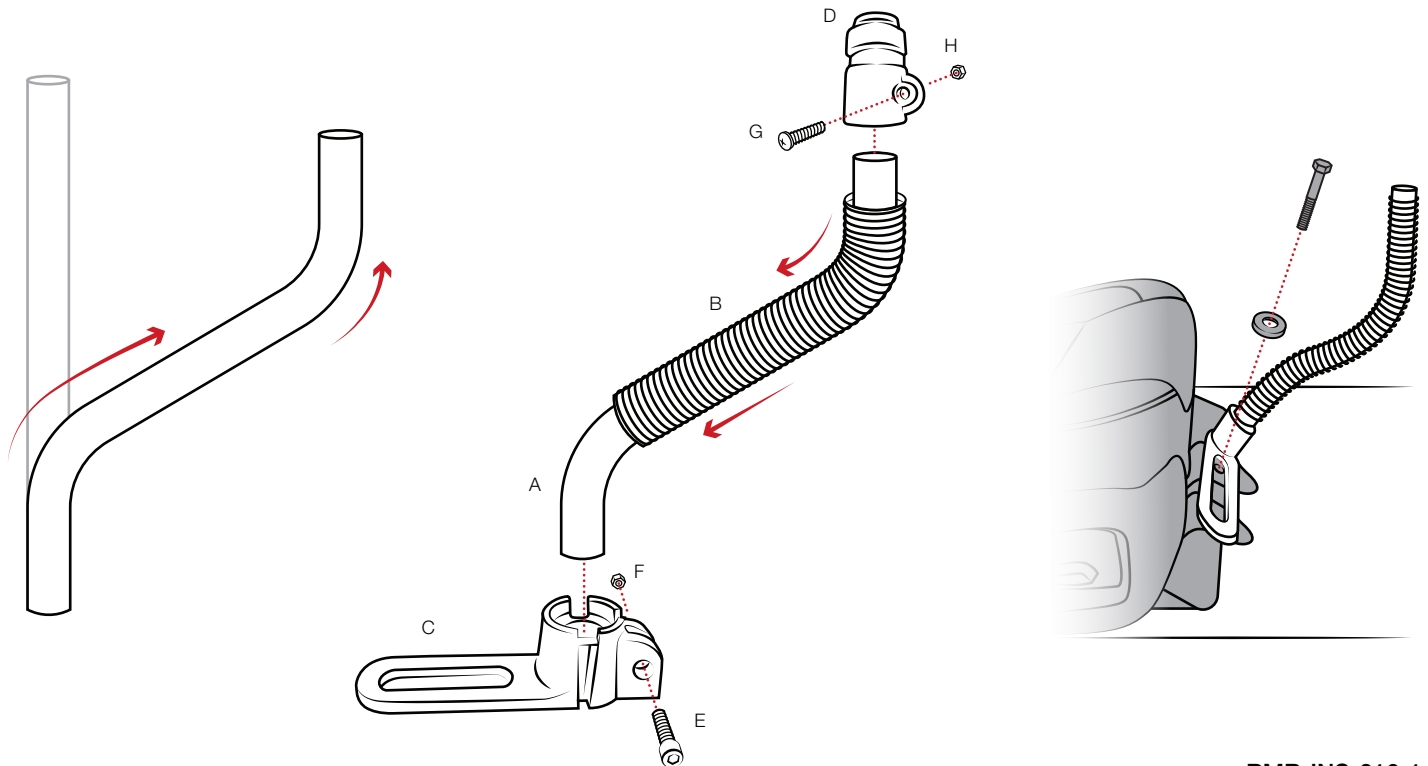
Parts Index

* not to scale



Before installation, locate the best possible attachment point for (C) foot base, such as a seat bolt or any other existing screw, nut or bolt. If desired, you may drill your own attachment point using a bolt, washer and nut, or with a sheet metal screw.

- 1 Pre-bend (A) flex rod to brace against another object while mounted, such as the center console of your vehicle.
- 2 Assemble the seat base as shown. Make sure you have (A) flex rod pre-bent to the desired angle before sliding on (B) tube covering.
- 3 Locate attachment point and use existing seat bolt and washer to secure the foot base assembly.



RMR-INS-316-1



Safety Precaution

Do not install this product near or over an airbag deployment area or in a location that obstructs the driver's vision or interferes with vehicle operation. National Products, Inc does not assume responsibility or liability for any such personal injury, death or property damage.