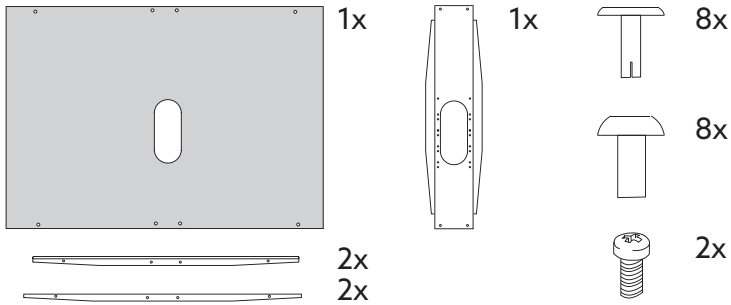


# R-Go Hygienic Safety Screen

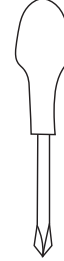
## Manual

What's in the box?

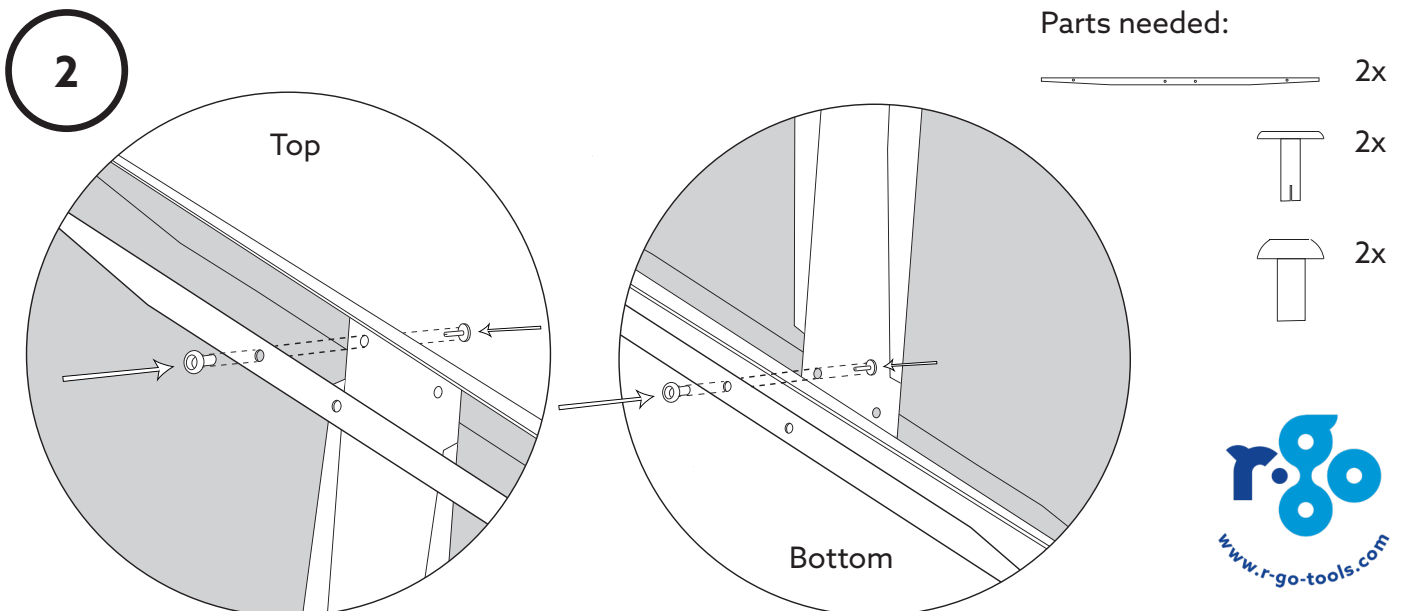
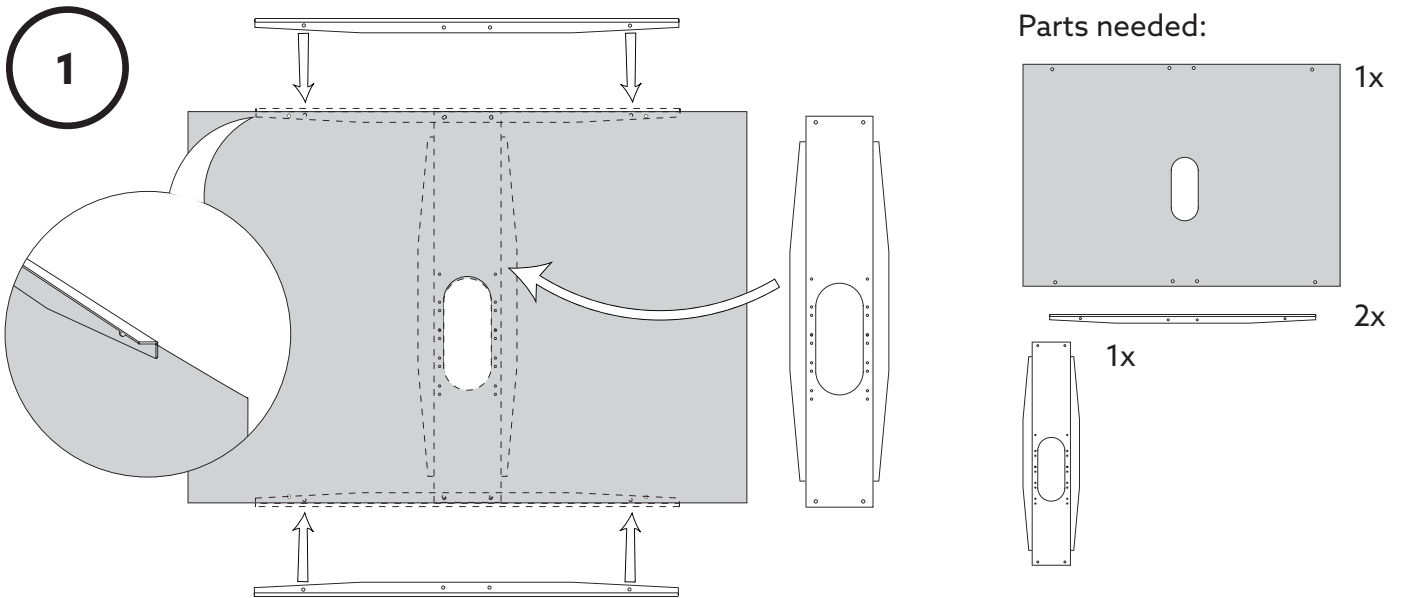
- First remove foil from aluminium parts.
- To clean, use a screen cleaner (no alcohol).



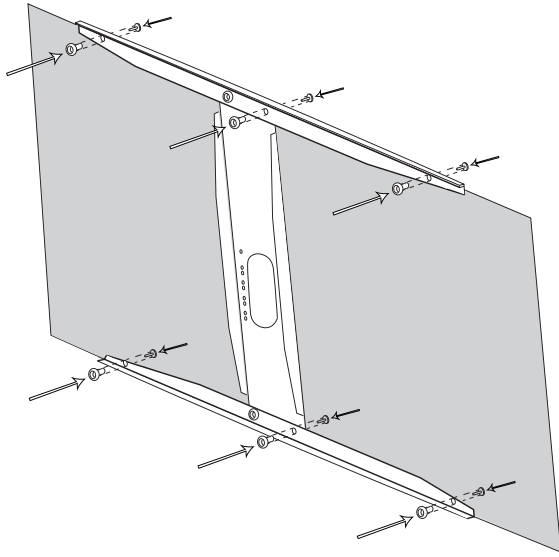
Tools needed:



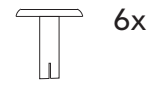
Note: When screen is curved due to packaging, first roll the screen in the opposite direction to flatten the curve or place it with the curve down on the desk during assembly.



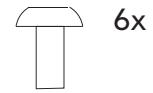
3



Parts needed:



6x



6x

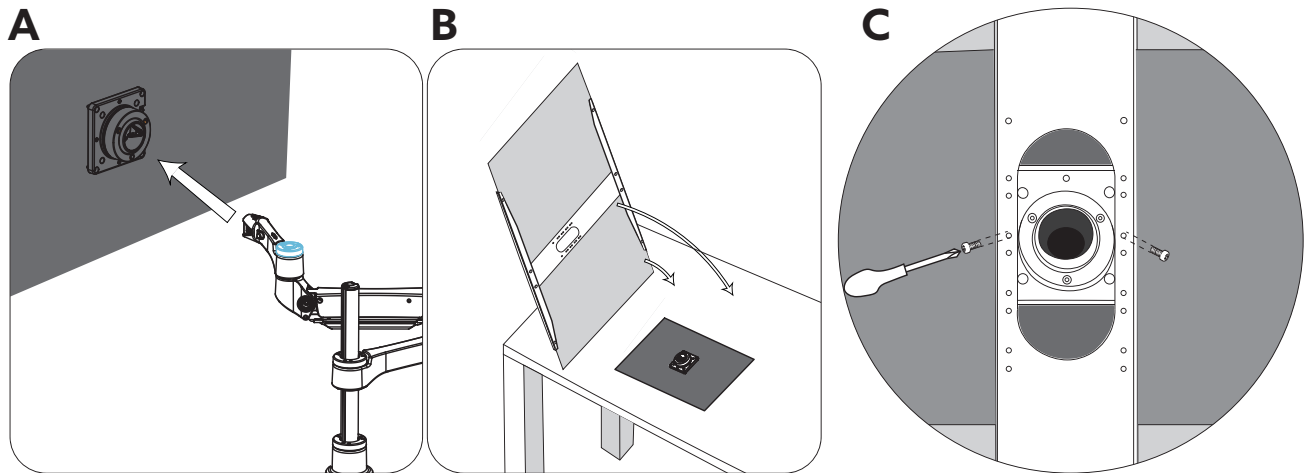
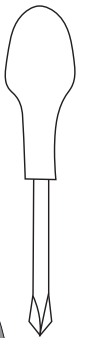
4

For R-Go Caparo 4 and R-Go Zepher 4 monitor arms

Parts needed:



2x



4

For universal VESA

