

<b>SS560F</b>	SmartMount® Flat Panel Floor Stand for 32" to 75" Displays without Shelf
<b>SS560M</b>	SmartMount® Flat Panel Floor Stand for 32" to 75" Displays with Metal Shelf

**Product Specifications**

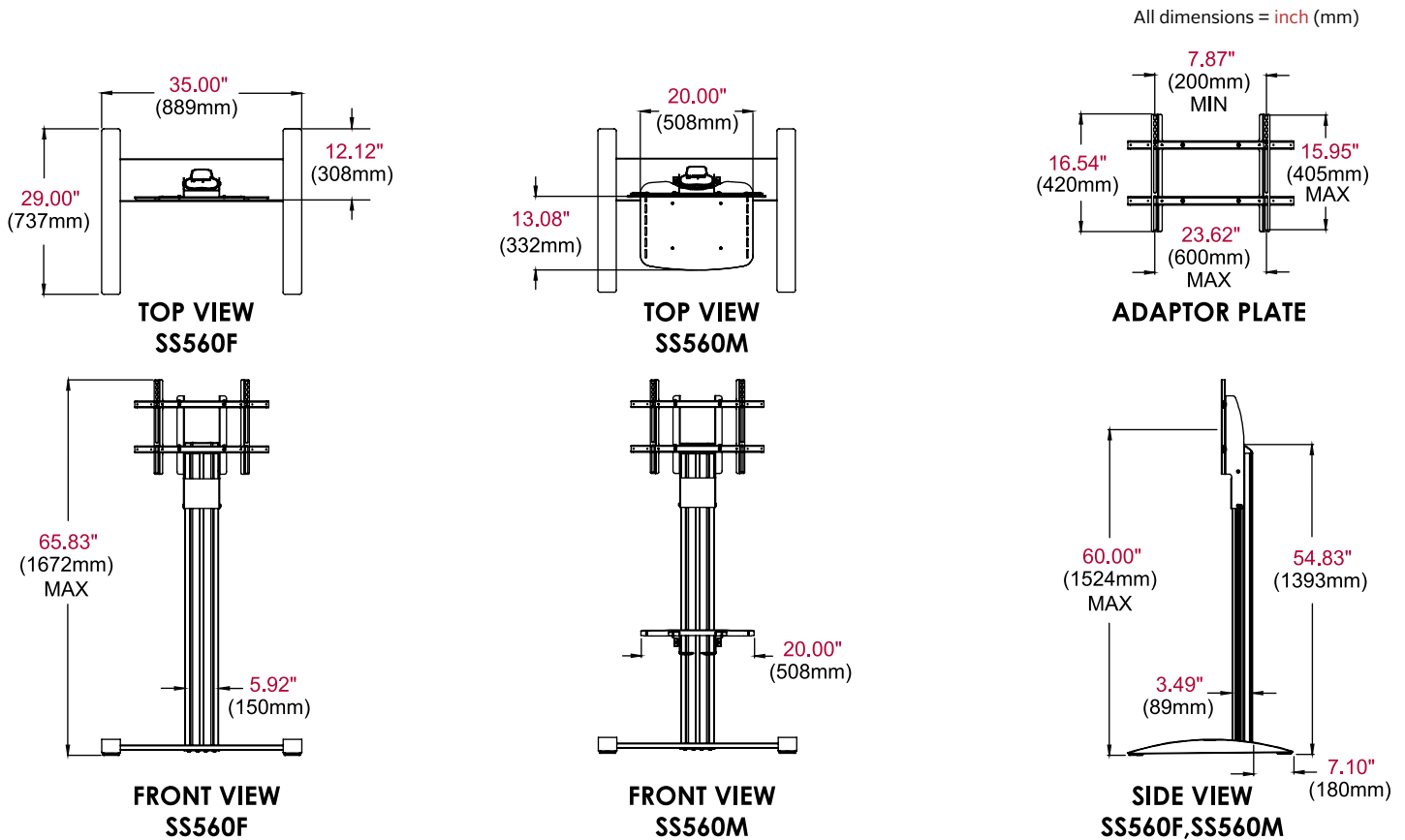
	DIMENSIONS (W X H X D)	PRODUCT WEIGHT	LOAD CAPACITY	FINISH	AVAILABLE COLORS
<b>SS560F/ SS560M</b>	35.00" x 65.83" x 29.00" (889 x 1672 x 737mm)	SS560F: 54lb (24.54kg) SS560M: 65lb (29.55kg)	150lb (68.2kg) display 10lb (4.55kg) per shelf	Textured Powder Coat	Black

**Package Specifications**

	PACKAGE SIZE (W x H x D)	PACKAGE SHIP WEIGHT	PACKAGE UPC CODE	PACKAGE CONTENTS	UNITS IN PACKAGE
<b>SS560F/ SS560M</b>	47.50" x 38.50" x 7.25" (1207 x 978 x 184mm)	SS560F: 69.0lb (31.36kg) SS560M: 80.0lb (36.36kg)	SS560F: 735029279853 SS560M: 735029277330	Base, aluminum column, universal display adaptor, metal component shelf (with SS560M), hardware & instructions	1

**Accessories**

<b>ACC316:</b>	Safety Belt	<b>ACC-MS:</b>	Metal Shelf
<b>ACC-GS1:</b>	Glass Shelf	<b>ACC-VCS:</b>	Video Conferencing Camera Shelf
<b>ACC-LA:</b>	Laptop Arm	<b>DSX750:</b>	Media Player Storage



**Architect Specifications**

The SmartMount® Flat Panel Floor Stand shall be a Peerless-AV model SS560F/M and shall be located where indicated on the plans. Assembly and installation shall be done according to instructions provided by the manufacturer.

Visit [peerless-av.com](http://peerless-av.com) to see the complete line of AV solutions from Peerless-AV, including outdoor displays, wireless, kiosks, digital audio, display mounts, projector mounts, carts/stands, and a full assortment of accessories.

**Peerless-AV**  
 2300 White Oak Circle  
 Aurora, IL 60502 USA  
**(800) 865-2112**  
**(630) 375-5100**  
**Fax: (800) 359-6500**

**Peerless-AV Europe**  
 Unit 3 Watford Interchange  
 Colonial Way, Watford  
 Herts, WD24 4WP  
 United Kingdom  
**+44 (0) 1923 200100**  
**Fax: +44 (0) 1923 200101**

**Peerless-AV de México**  
 Ave de las Industrias 413  
 Parque Industrial Escobedo  
 Escobedo, N.L.,  
 Mexico 66050  
**+52 (81) 8384-8300**  
**Fax: +52 (81) 8384-8360**

