

SR575M SmartMount® Full Featured Flat Panel Cart for 32" to 75" Displays

**Product Specifications**

	DIMENSIONS (W X H X D)	PRODUCT WEIGHT	LOAD CAPACITY	FINISH	AVAILABLE COLORS
SR575M	35.73" x 68.38" x 30.00" (908 x 1736 x 762mm)	70lb (31.8kg)	150lb (68.2kg) display 10lb (4.55kg) per shelf	Textured Powder Coat	Black

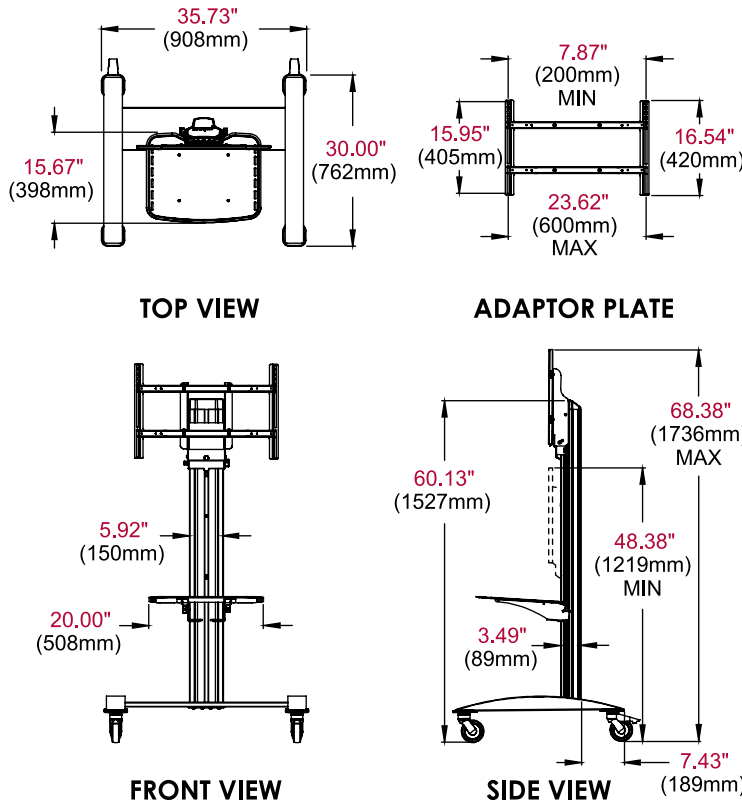
**Package Specifications**

	PACKAGE SIZE (W x H x D)	PACKAGE SHIP WEIGHT	PACKAGE UPC CODE	PACKAGE CONTENTS	UNITS IN PACKAGE
SR575M	47.50" x 7.25" x 38.50" (1207 x 184 x 978mm)	83lb (37.7kg)	735029304265	Assembled base, Aluminum column, Universal display adaptor, Metal component shelf, (2) swivel casters, (2) locking swivel casters, (4) Corner bumpers, hardware & instructions	1

**Accessories**

- ACC310: Feet Accessory
- ACC316: Safety Belt
- ACC320: Electrical Outlet Strip with Cord Wrap
- ACC-GS1: Tempered Glass Shelf
- ACC-LA: Laptop Arm
- ACC-MS: Metal Shelf
- ACC-VCS: Video Conferencing Camera Shelf
- DSX750: Media Player Storage

All dimensions = inch (mm)



**Architect Specifications**

The SmartMount® Full Featured Flat Panel Cart shall be a Peerless-AV model SR575M and shall be located where indicated on the plans. Assembly and installation shall be done according to instructions provided by the manufacturer.

Visit [peerless-av.com](http://peerless-av.com) to see the complete line of AV solutions from Peerless-AV, including outdoor displays, wireless, kiosks, digital audio, display mounts, projector mounts, carts/stands, and a full assortment of accessories.

**Peerless-AV**  
 2300 White Oak Circle  
 Aurora, IL 60502 USA  
**(800) 865-2112**  
**(630) 375-5100**  
**Fax: (800) 359-6500**

**Peerless-AV Europe**  
 Unit 3 Watford Interchange  
 Colonial Way, Watford  
 Herts, WD24 4WP  
 United Kingdom  
**+44 (0) 1923 200100**  
**Fax: +44 (0) 1923 200101**

**Peerless-AV de México**  
 Ave de las Industrias 413  
 Parque Industrial Escobedo  
 Escobedo, N.L.,  
 Mexico 66050  
**+52 (81) 8384-8300**  
**Fax: +52 (81) 8384-8360**

