

SR560M(-AB)(-AW) SmartMount® Flat Panel Cart for 32" to 75" Displays

Product Specifications

	DIMENSIONS (W X H X D)	PRODUCT WEIGHT	LOAD CAPACITY	FINISH	AVAILABLE COLORS
SR560M(-AB)(-AW)	34.95" x 68.38" x 29.00" (888 x 1736 x 737mm)	66lb (30kg)	150lb (68.2kg) display 10lb (4.55kg) per shelf	Textured Powder Coat	SR560M: Black SR560M-AB: Antimicrobial* Black SR560M-AW: Antimicrobial* White

Package Specifications

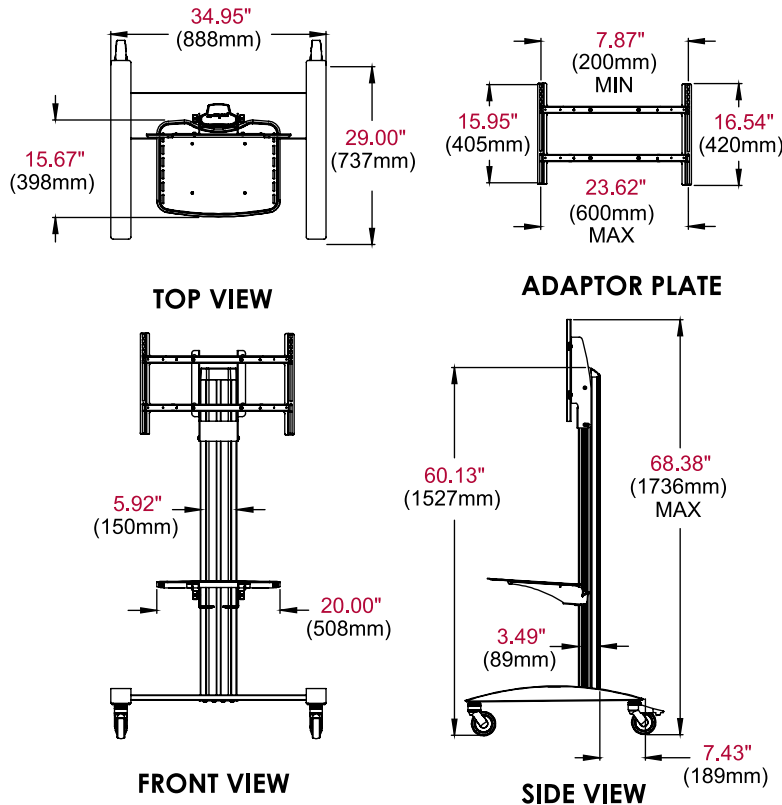
*Antimicrobial protection is limited to the treated article and does not protect a user against disease causing bacteria. Always clean products thoroughly after each use. Visit agion-tech.com for more details.

	PACKAGE SIZE (W x H x D)	PACKAGE SHIP WEIGHT	PACKAGE UPC CODE	PACKAGE CONTENTS	UNITS IN PACKAGE
SR560M(-AB)(-AW)	47.50" x 7.25" x 38.50" (1207 x 184 x 978mm)	79lb (35.9kg)	SR560M: 735029247715 SR560M-AB: 735029281771 SR560M-AW: 735029281788	Assembled base, Aluminum column, Universal display adaptor, Metal component shelf, (2) swivel casters, (2) locking swivel casters, hardware & instructions	1

Accessories

- ACC310: Feet Accessory
- ACC316: Safety Belt
- ACC320: Electrical Outlet Strip with Cord Wrap
- ACC-BPR: Bumper Accessory for legs
- ACC-GS1: Tempered Glass Shelf
- ACC-LA: Laptop Arm
- ACC-MS: Metal Shelf
- ACC-VCS: Video Conferencing Camera Shelf
- DSX750: Media Player Storage

All dimensions = inch (mm)



Architect Specifications

The SmartMount® Flat Panel Cart shall be a Peerless-AV model SR560M(-AB)(-AW) and shall be located where indicated on the plans. Assembly and installation shall be done according to instructions provided by the manufacturer.

Visit peerless-av.com to see the complete line of AV solutions from Peerless-AV, including outdoor displays, wireless, kiosks, digital audio, display mounts, projector mounts, carts/stands, and a full assortment of accessories.

Peerless-AV
2300 White Oak Circle
Aurora, IL 60502 USA
(800) 865-2112
(630) 375-5100
Fax: (800) 359-6500

Peerless-AV Europe
Unit 3 Watford Interchange
Colonial Way, Watford
Herts, WD24 4WP
United Kingdom
+44 (0) 1923 200100
Fax: +44 (0) 1923 200101

Peerless-AV de México
Ave de las Industrias 413
Parque Industrial Escobedo
Escobedo, N.L.,
Mexico 66050
+52 (81) 8384-8300
Fax: +52 (81) 8384-8360

