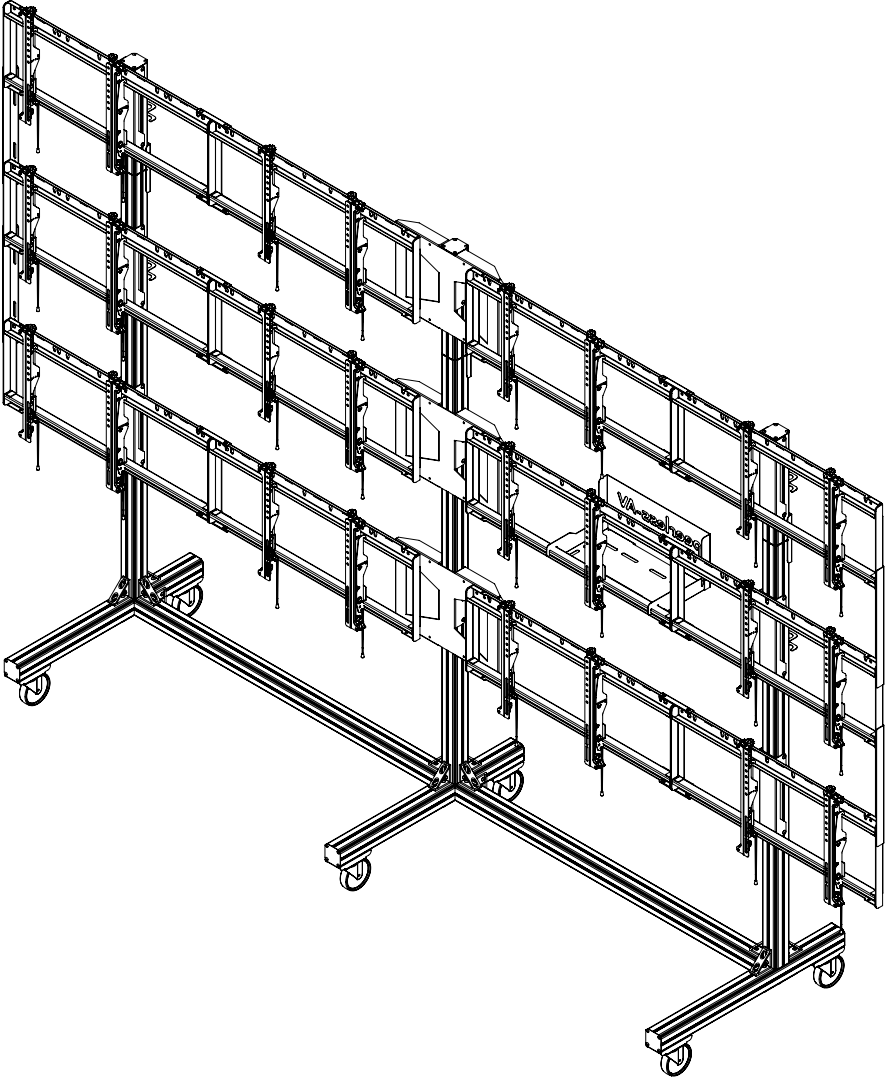
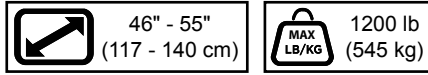


peerless-AV[®]

DS-C555-4X3



This page intentionally left blank.

▲ WARNING

ENG - Do not begin to install product until you have read and understood the instructions and warnings contained in this user guide. Always use an assistant or mechanical lifting equipment to safely lift and position equipment. This product must be installed onto flat, hard, level surface to prevent tipping. Use with heavier displays may result in instability causing tip over resulting in death or serious injury. The cart or stand is not affixed or secured to the floor, and may therefore tip over and/or fall if screen and/or stand is shaken or hit. This product is intended for indoor use only. Use of this product outdoors could lead to product failure or personal injury. Screws must be tightly secured. Do not overtighten screws or damage can occur and product may fail. Never exceed the Maximum Load Capacity. Be careful not to pinch fingers when operating the mount. Death or serious injury may occur when children climb on audio and/or video equipment furniture. A remote control or toys placed on the furnishing may encourage a child to climb on the furnishing and as a result the furnishing may tip over on to the child. Relocating audio and/or video equipment to furniture not specifically designed to support audio and/or video equipment may result in death or serious injury due to the furnishing collapsing or over turning onto a child. For support please call customer care at 1-800-865-2112.

ENG Symbols



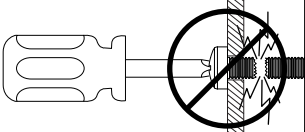
ENG WARNING



ENG Screws must get at least three full turns and fit snug.



ENG Display center.

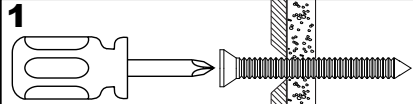


ENG Do not overtighten screws.

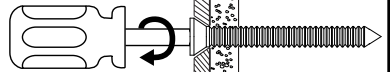


To properly tighten screws: Tighten until screw head makes contact, then tighten another 1/2 turn. Do not overtighten screws.

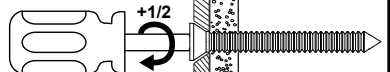
1



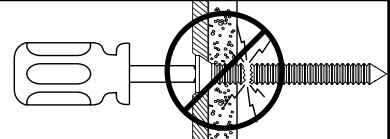
2



3



4



Parts (Before beginning, make sure you have all parts shown below).

Parts List

Description	Qty	Part #
A caster, 5" swivel	6	600-0026
B caster support	6	145-T1799
C cover	9	145-T1809
D base leg	3	145-T1767
E horizontal leg support	2	145-T1785
F base support tube	3	145-T1812
G base support	14	560-T1261
H vertical leg support	3	146-T1131
I extension	3	145-T1778
J side support bracket	4	145-T1807
K left adaptor bracket	12	146-1609
L right adaptor bracket	12	146-1608
M vertical support bracket	6	145-T1806
N dual cross support	6	146-T1905
O computer cover	1	145-T1930
P computer shelf	1	145-T1931
Q extension adaptor	3	145-T1935
R cord bracket	6	146-T1321
S bracket, 4x2 configuration	3	145-T1858
T knob	6	560-1160
U M8 x 16mm socket button screw	244	520-9527
V M8 square nut	80	530-1066
W cover clip	36	590-0317
X M5 x 10mm type-F, socket pin screw	26	520-1164
Y bar nut	34	146-1319
Z 1/4" power bit	1	560-0263
AA 5mm allen wrench	1	560-9640
BB nylon shoulder washer	48	590-2233
CC M6 x 12mm socket pin screw	48	520-1050
DD 4mm allen wrench	1	560-9646

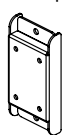
A (6)

caster



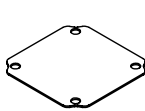
B (6)

caster support



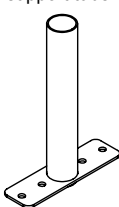
C (9)

cover



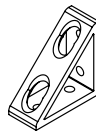
F (3)

base support tube



G (14)

base support



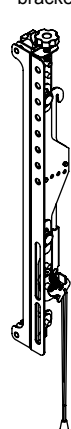
K (12)

left adaptor bracket



L (12)

right adaptor bracket



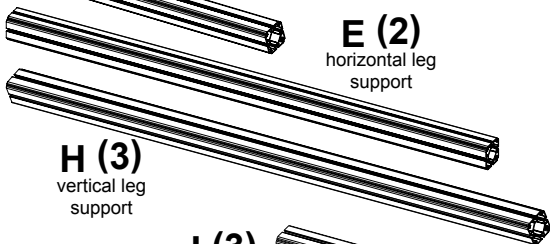
D (3)

base leg



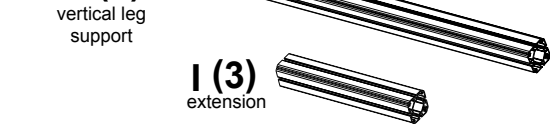
E (2)

horizontal leg support



H (3)

vertical leg support



I (3)

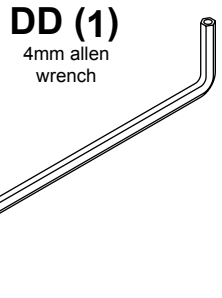
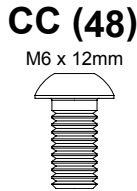
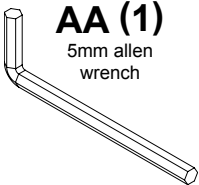
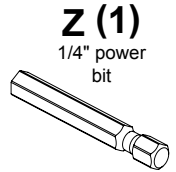
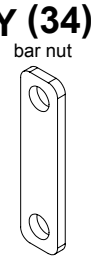
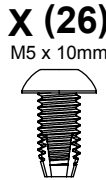
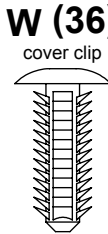
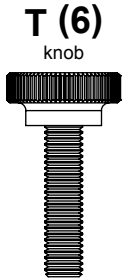
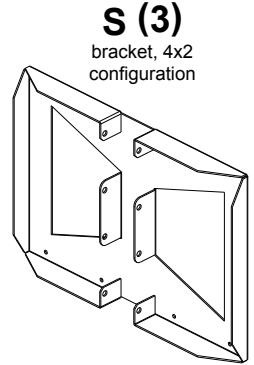
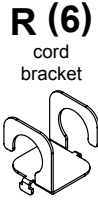
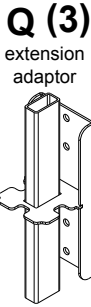
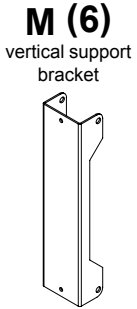
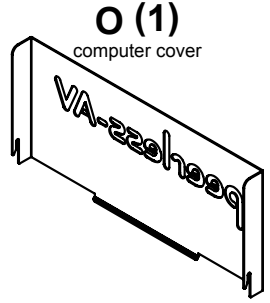
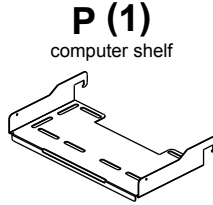
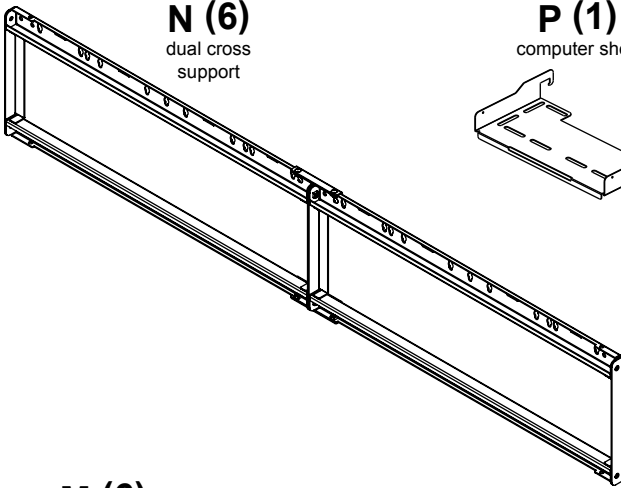
extension



J (4)

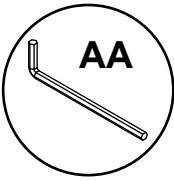
side support bracket





1-1

x6

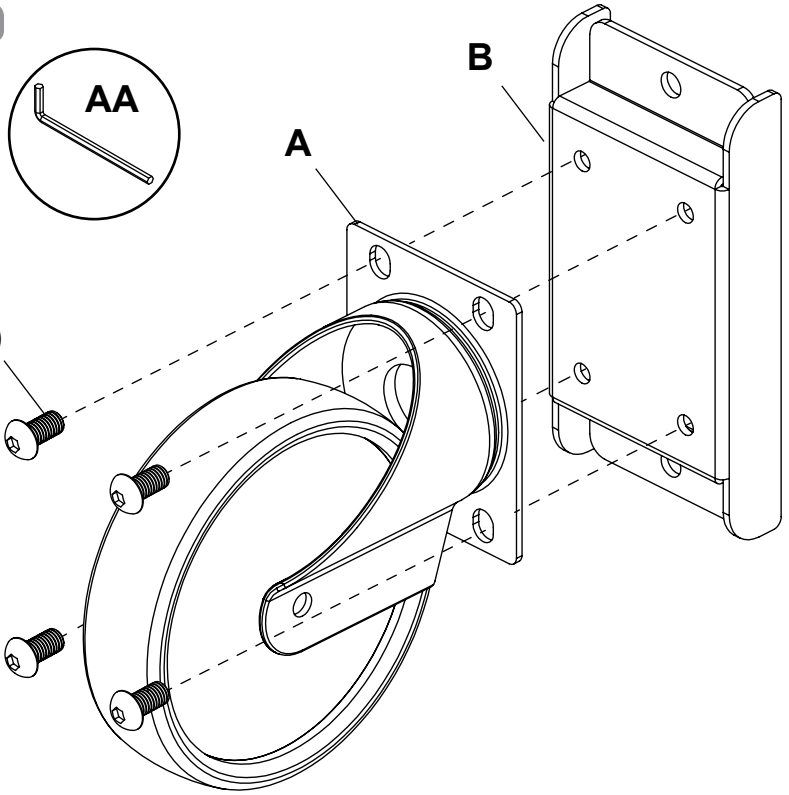


U (4)



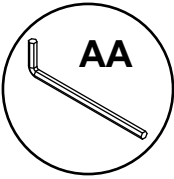
A

B



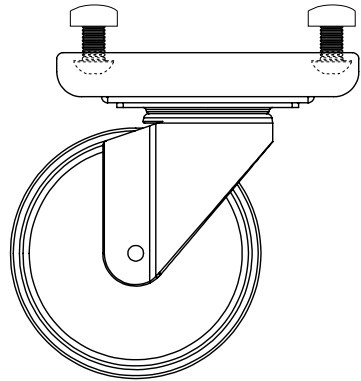
1-2

x6

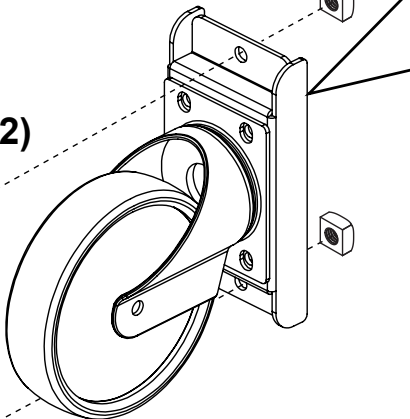


V (2)

Do not fully tighten hardware

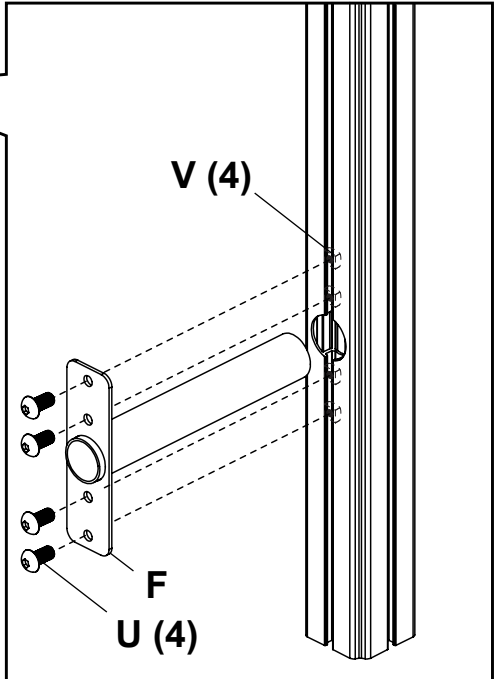
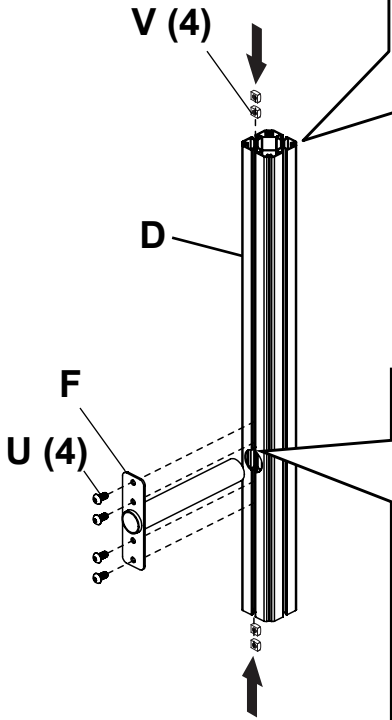
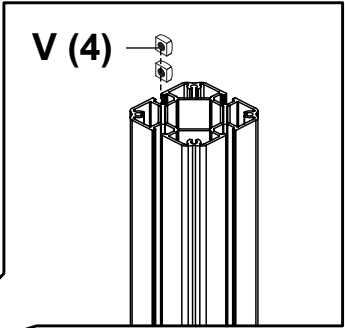
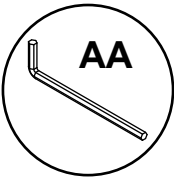


U (2)



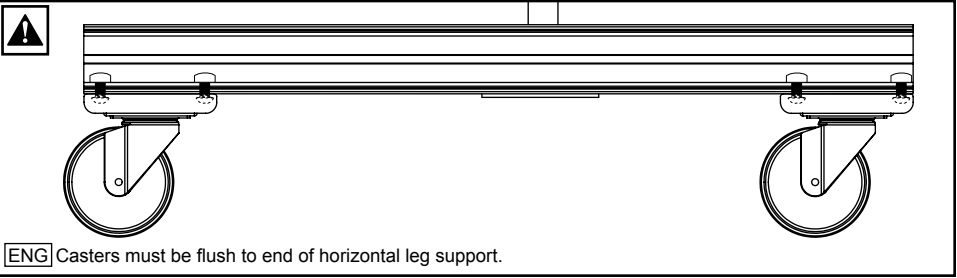
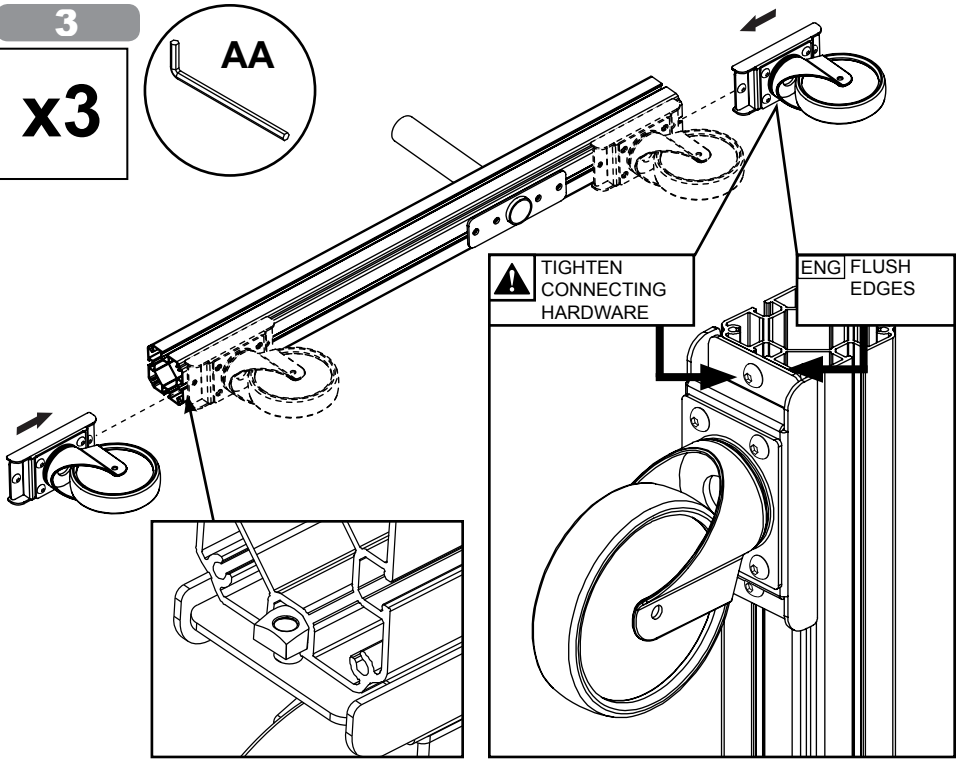
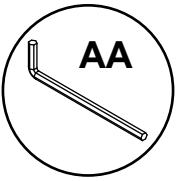
SIDE VIEW

x3



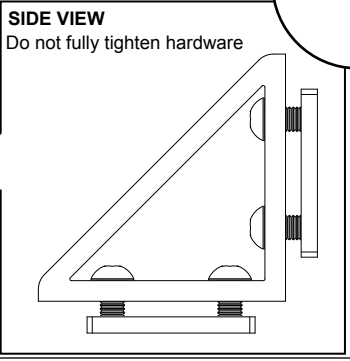
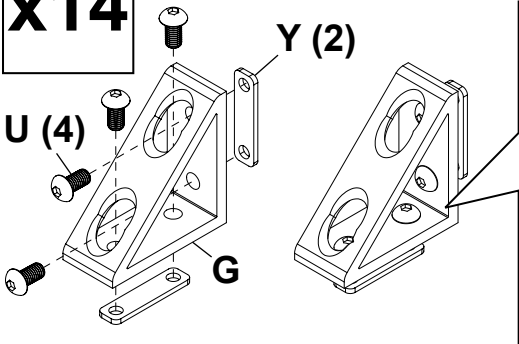
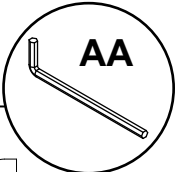
3

x3



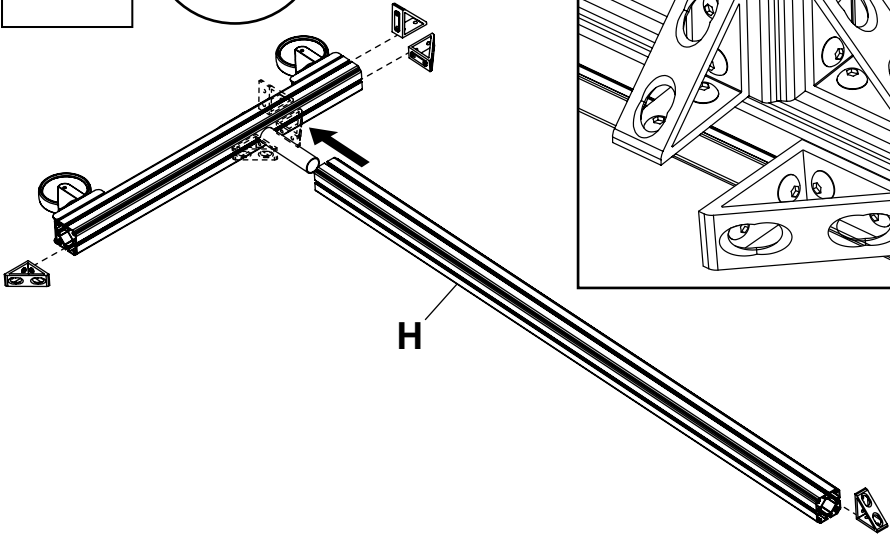
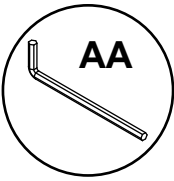
4

x14



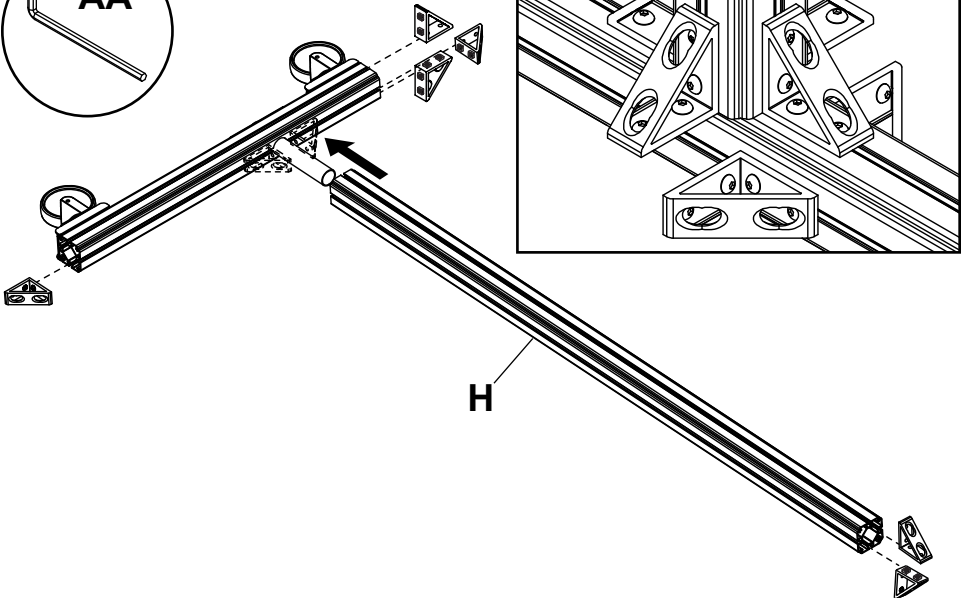
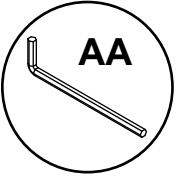
5-1

x2



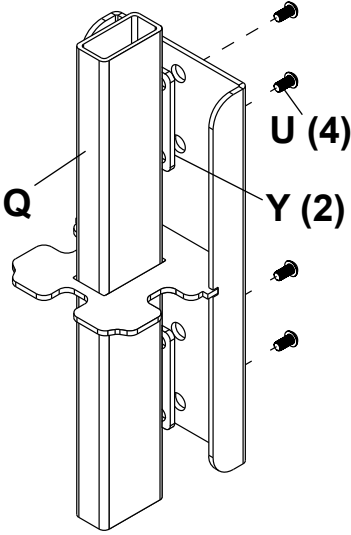
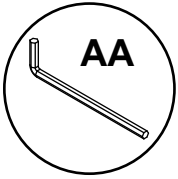
5-2

Assemble middle support bracket.

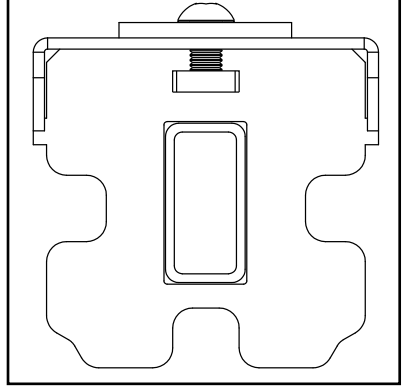


6-1

x3

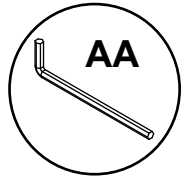
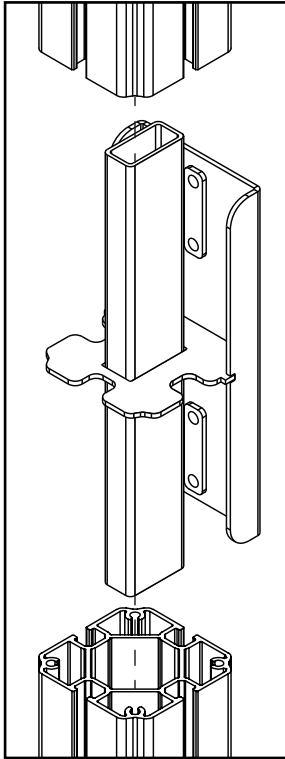
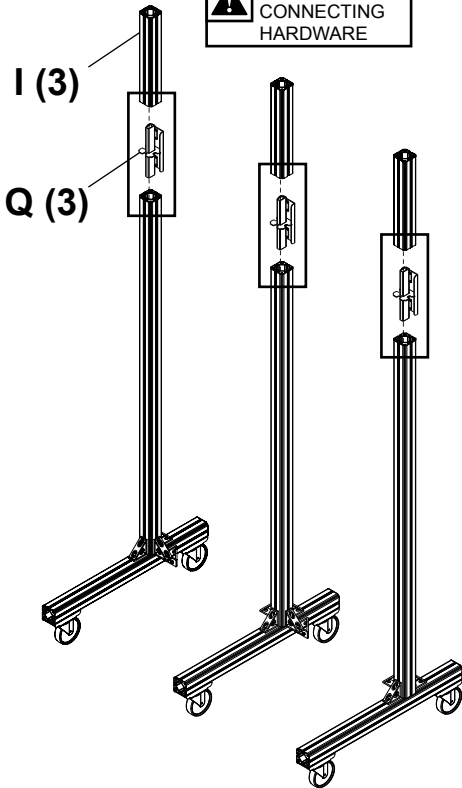


Do not fully tighten hardware

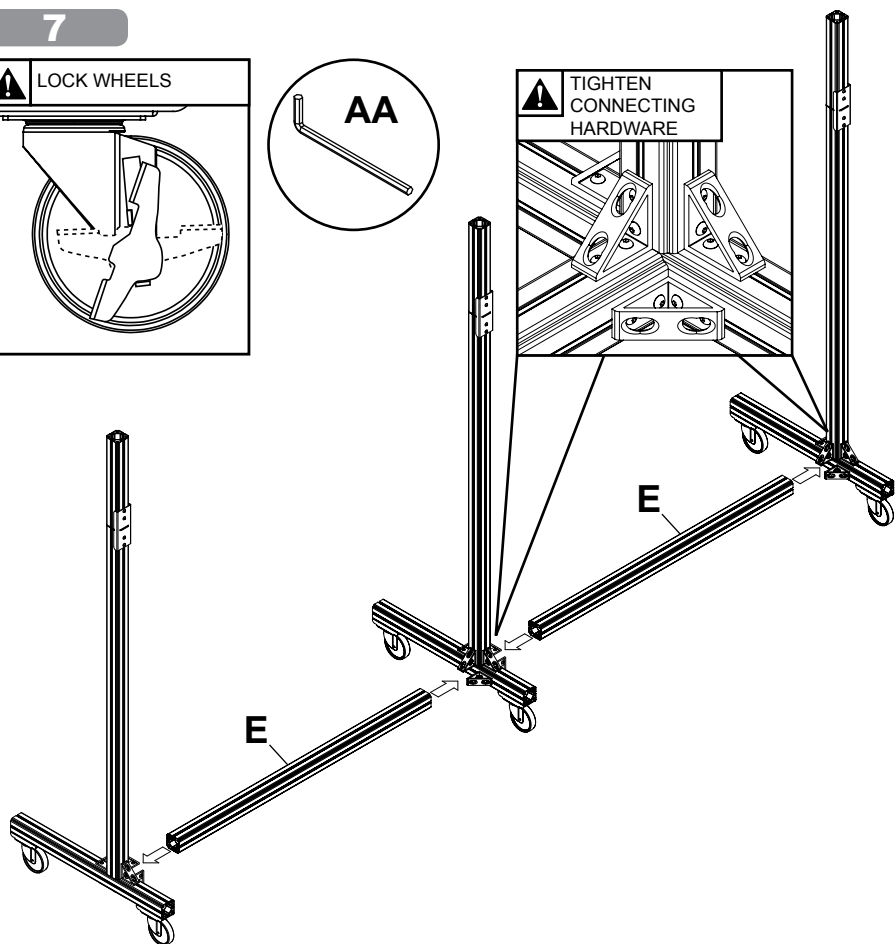
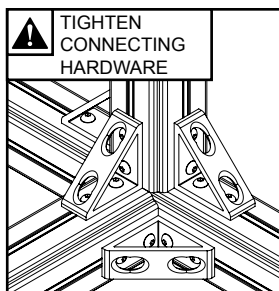
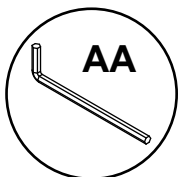
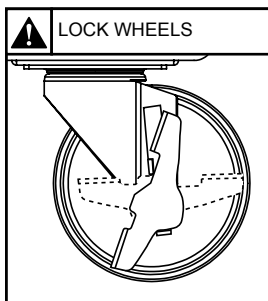


6-2

 TIGHTEN
CONNECTING
HARDWARE

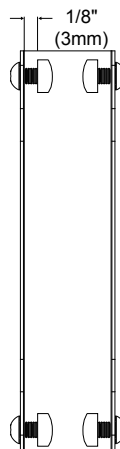
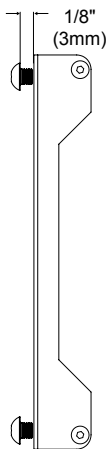
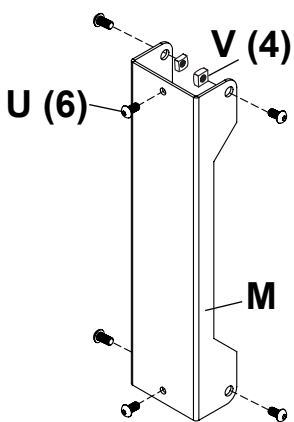
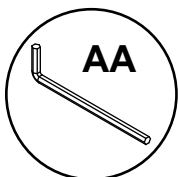


7



8

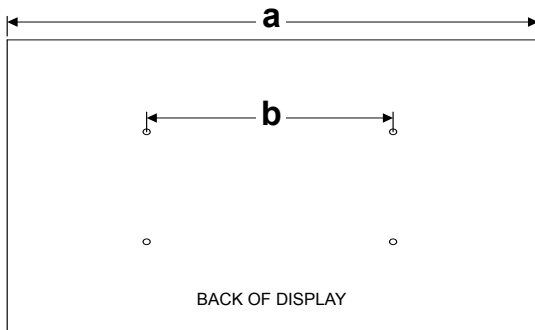
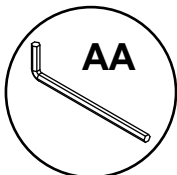
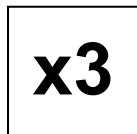
x6



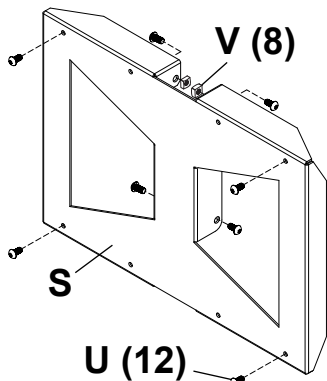
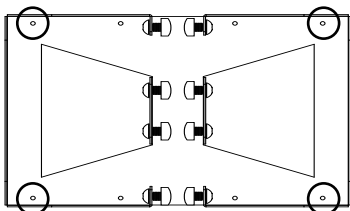
9

Use metric formula below and diagram to the right to determine hole pattern required for center vertical support bracket. Repeat (x2).

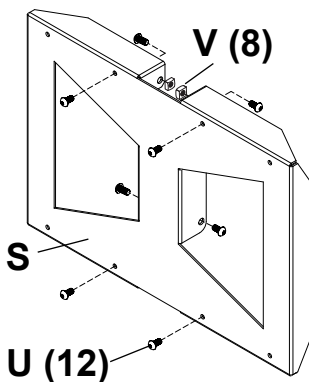
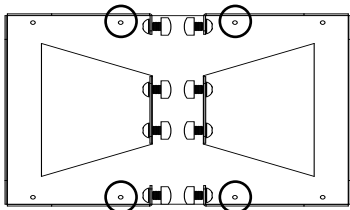
All dimensions are metric.



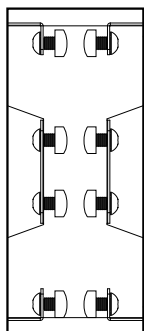
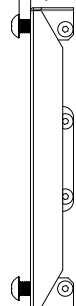
Use the outside mounting holes when...
 $a \times 4 > 4368\text{mm}$ and $a \times 3 + b < 4318\text{mm}$



Use the inside mounting holes when...
 $a \times 4 > 4098\text{mm}$ and $a \times 3 + b < 4064\text{mm}$



1/8"
(3mm)

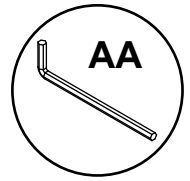


SIDE

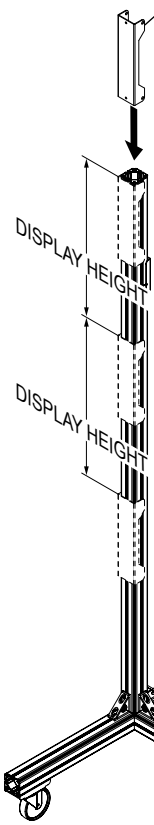
BACK

10

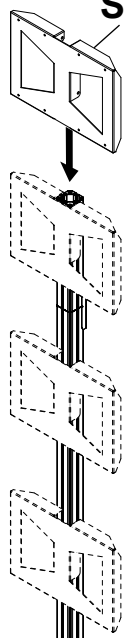
M (6)



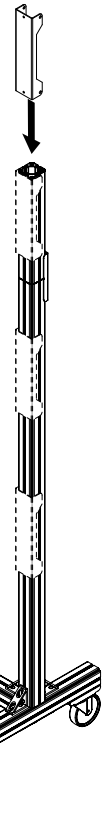
AA



S (3)

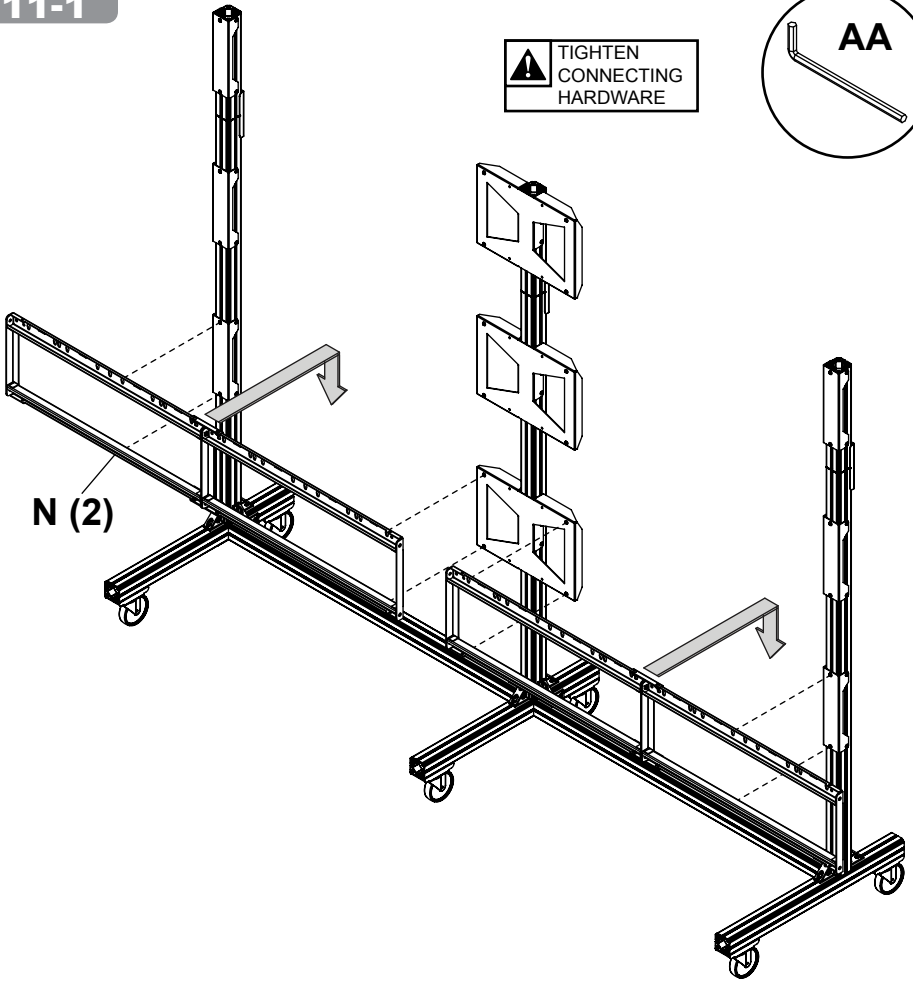
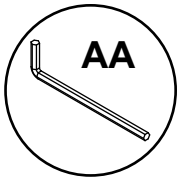


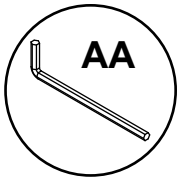
 TIGHTEN
CONNECTING
HARDWARE



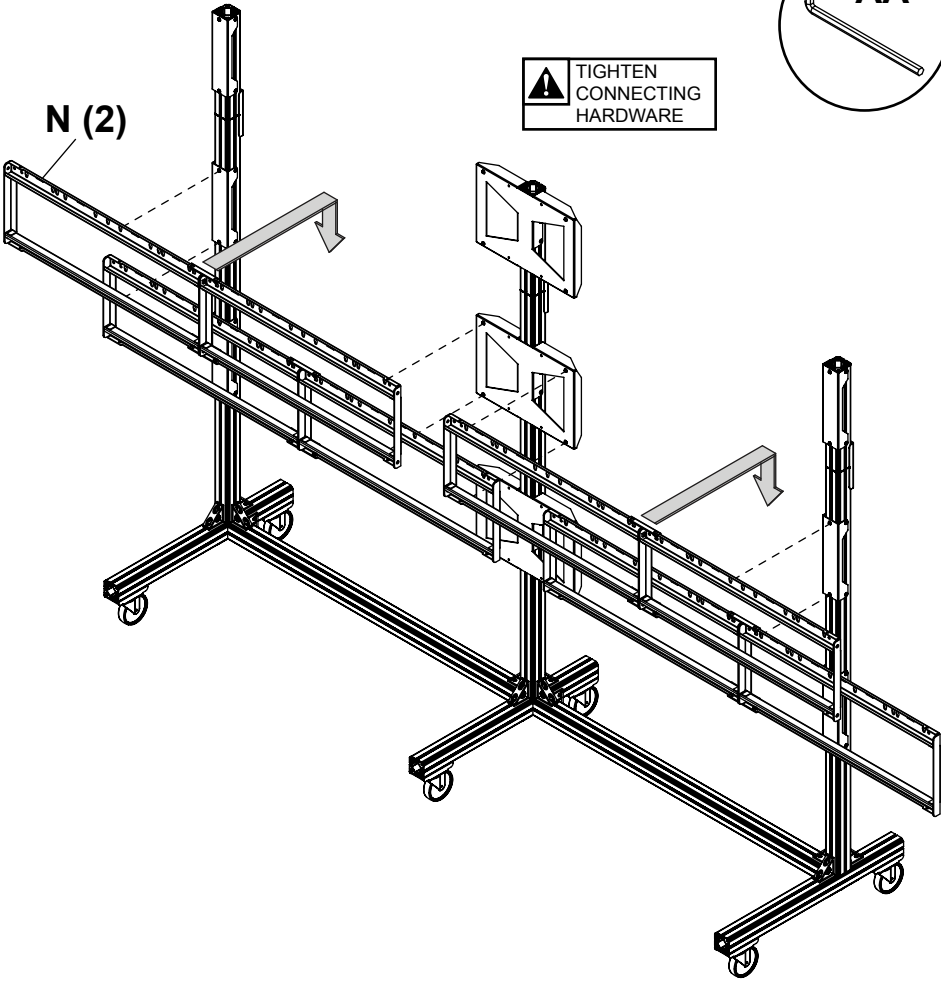
11-1

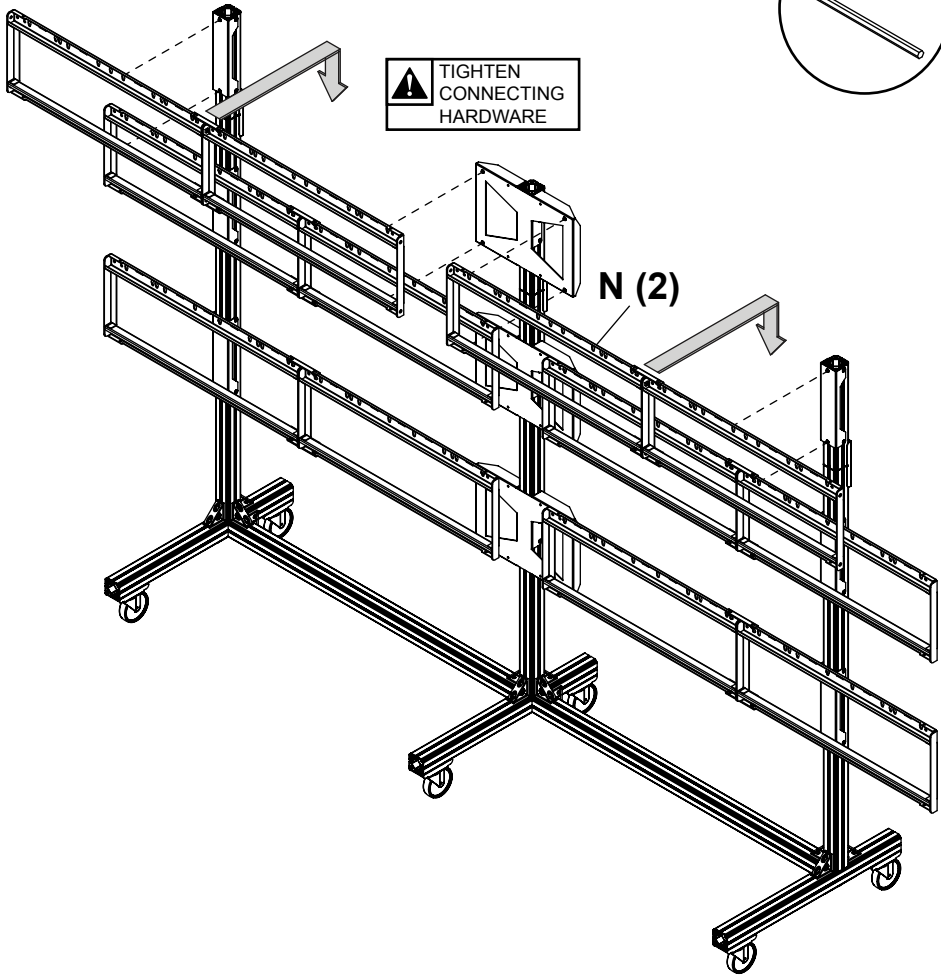
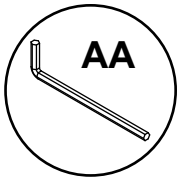
 TIGHTEN
CONNECTING
HARDWARE

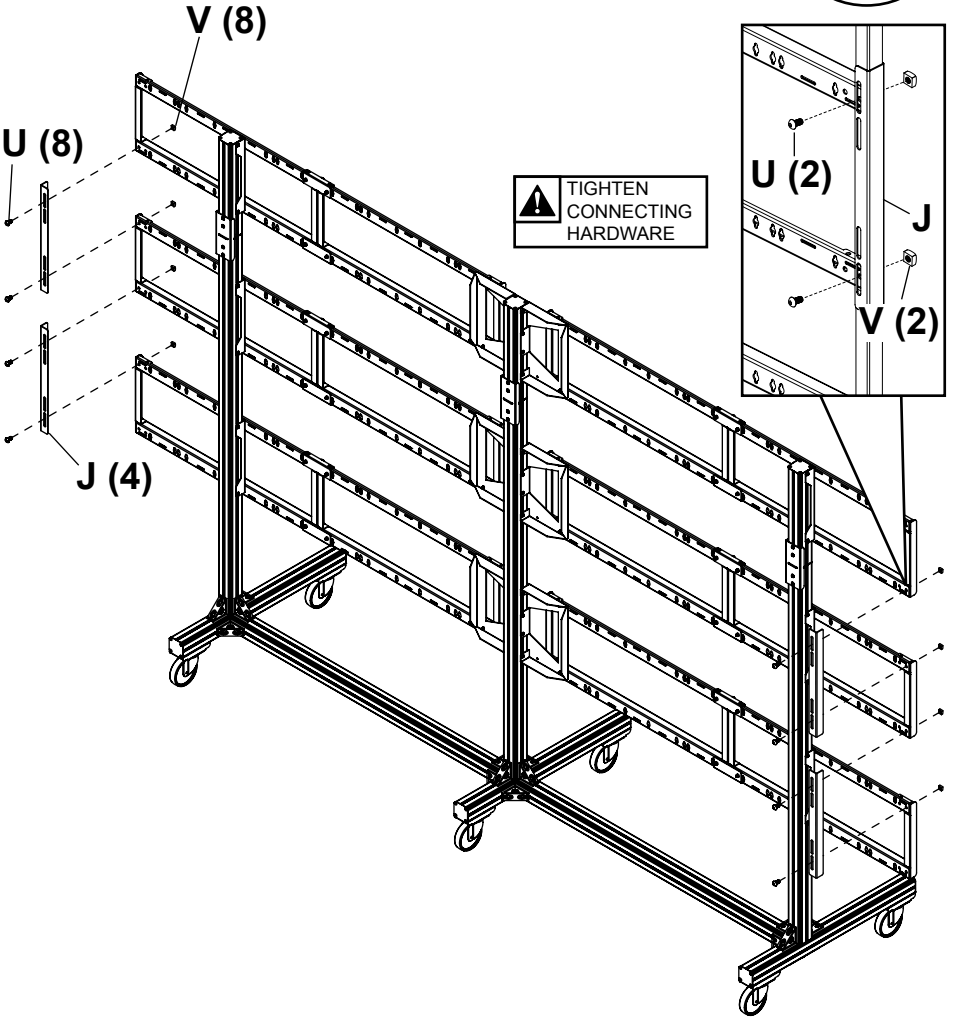
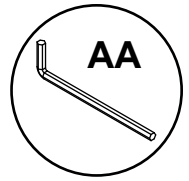




 TIGHTEN
CONNECTING
HARDWARE



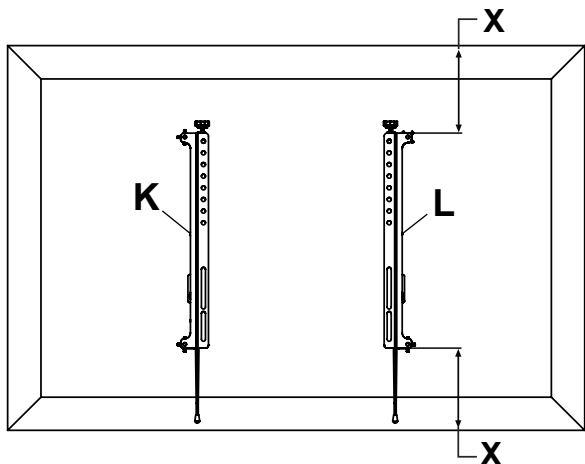




13-1

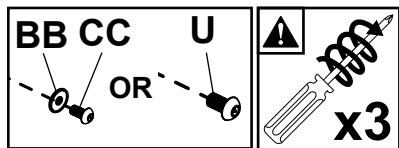
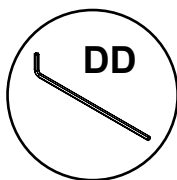
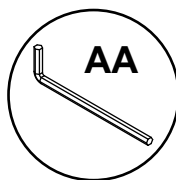
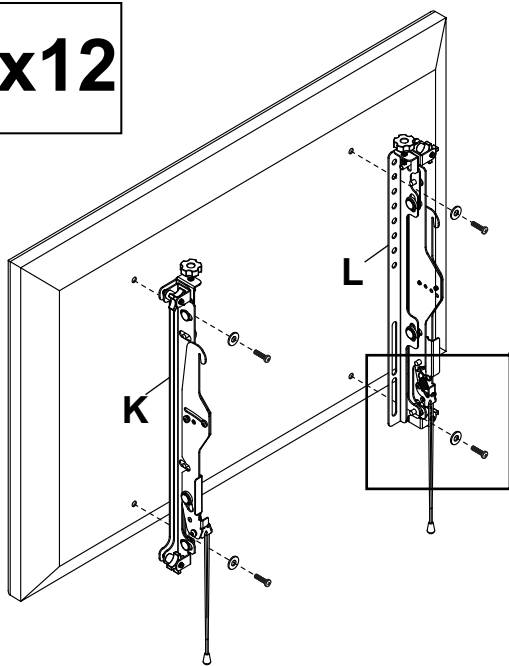
x12

ENG Center adapter brackets vertically on back of screen.



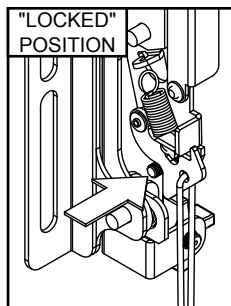
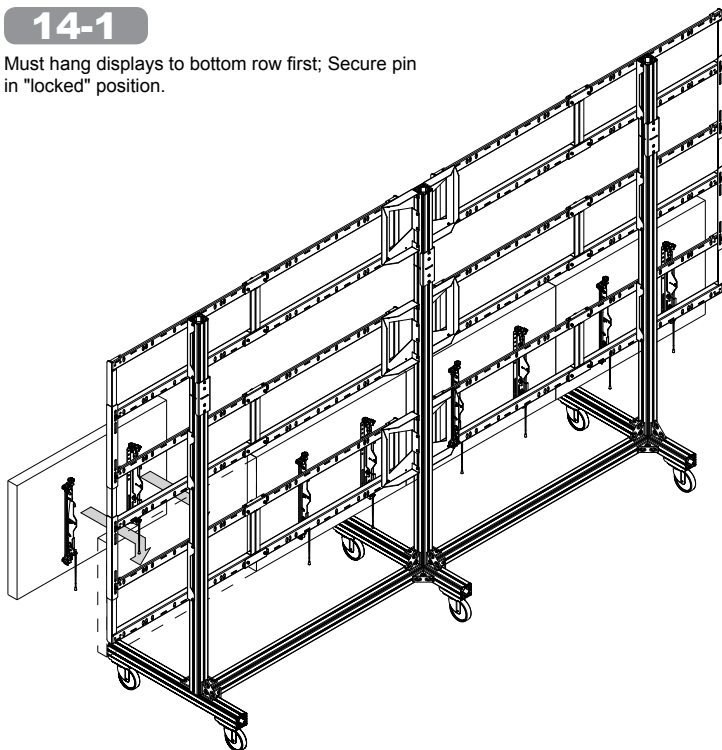
13-2

x12



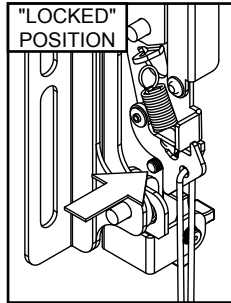
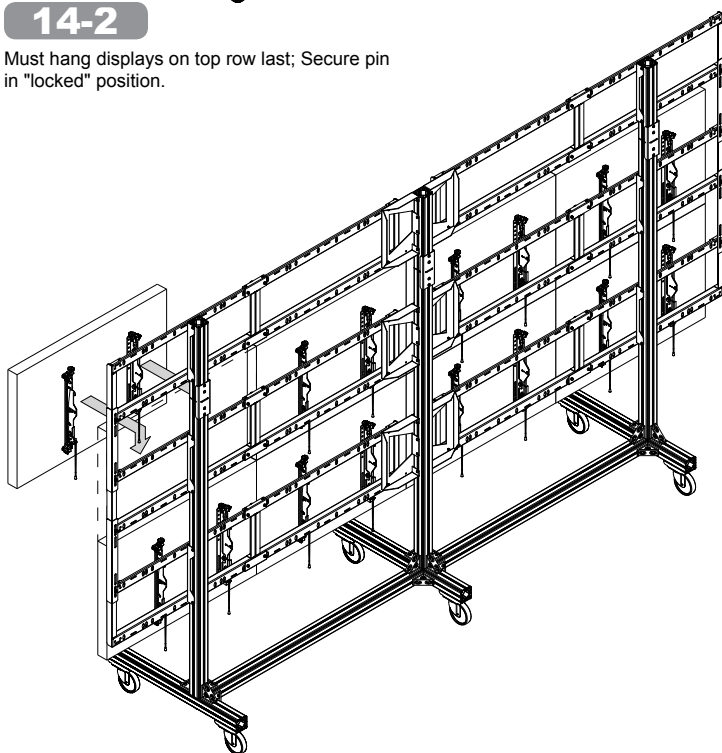
14-1

Must hang displays to bottom row first; Secure pin in "locked" position.



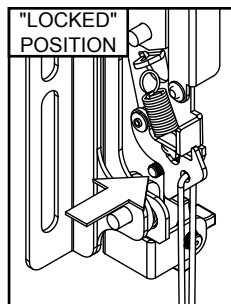
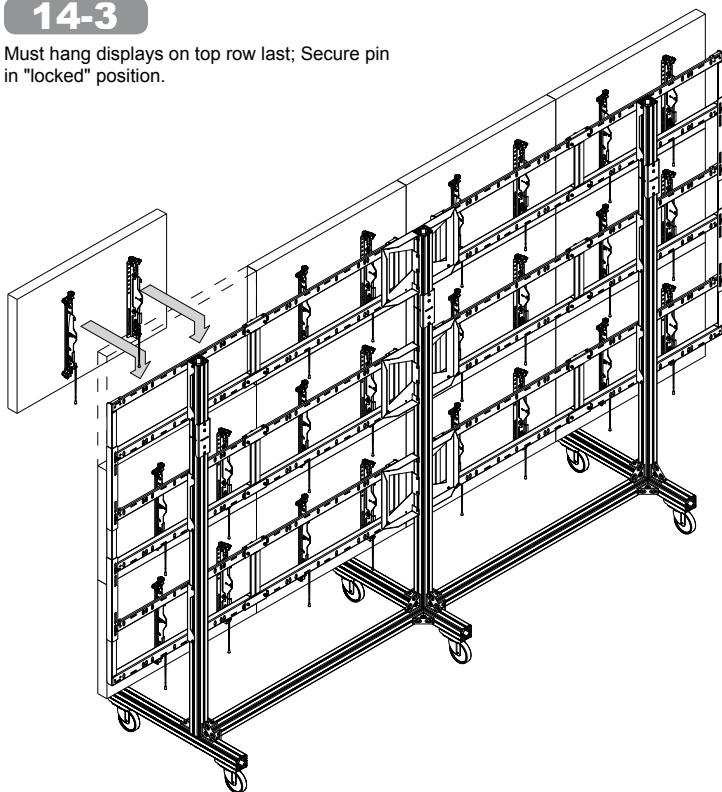
14-2

Must hang displays on top row last; Secure pin in "locked" position.



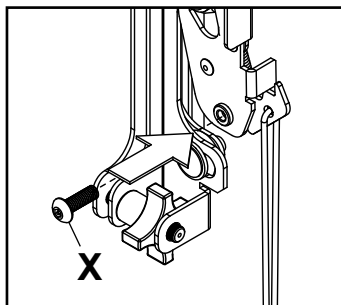
14-3

Must hang displays on top row last; Secure pin in "locked" position.

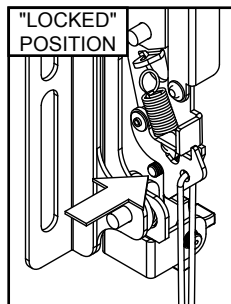
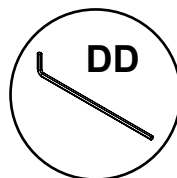


14-4

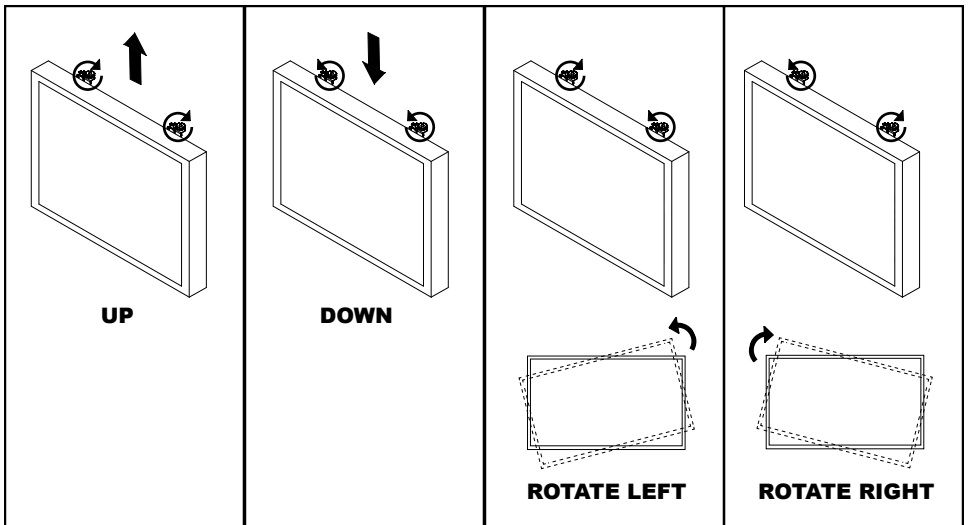
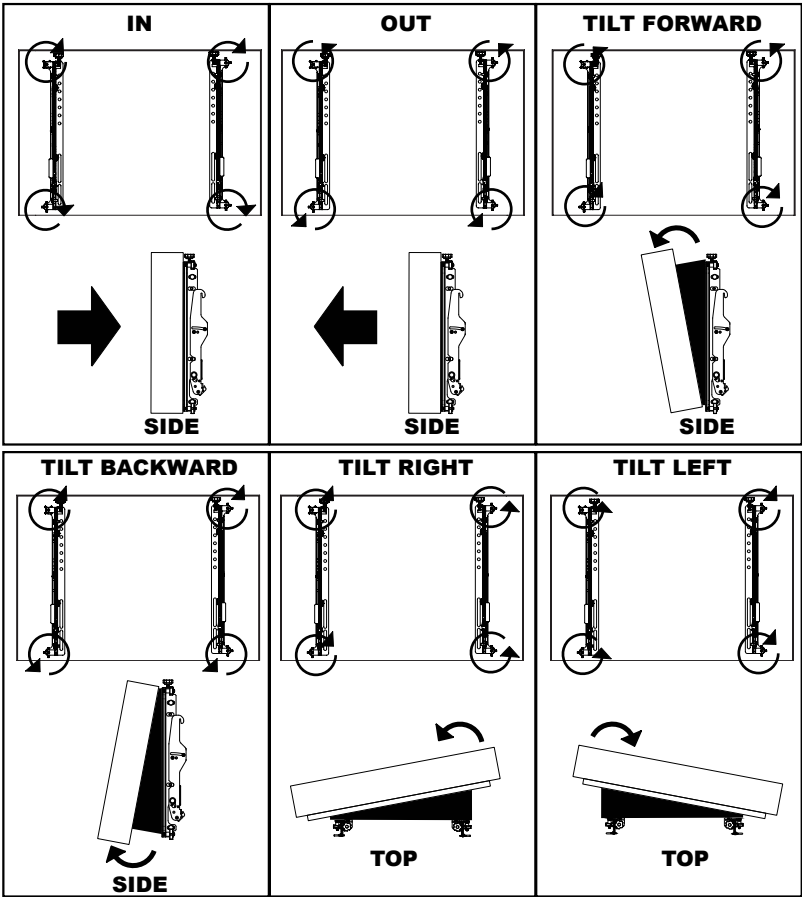
OPTIONAL: Insert M5 x 10mm type-F socket pin screws (X) to lock latches.

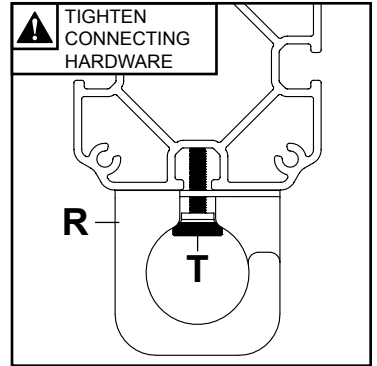
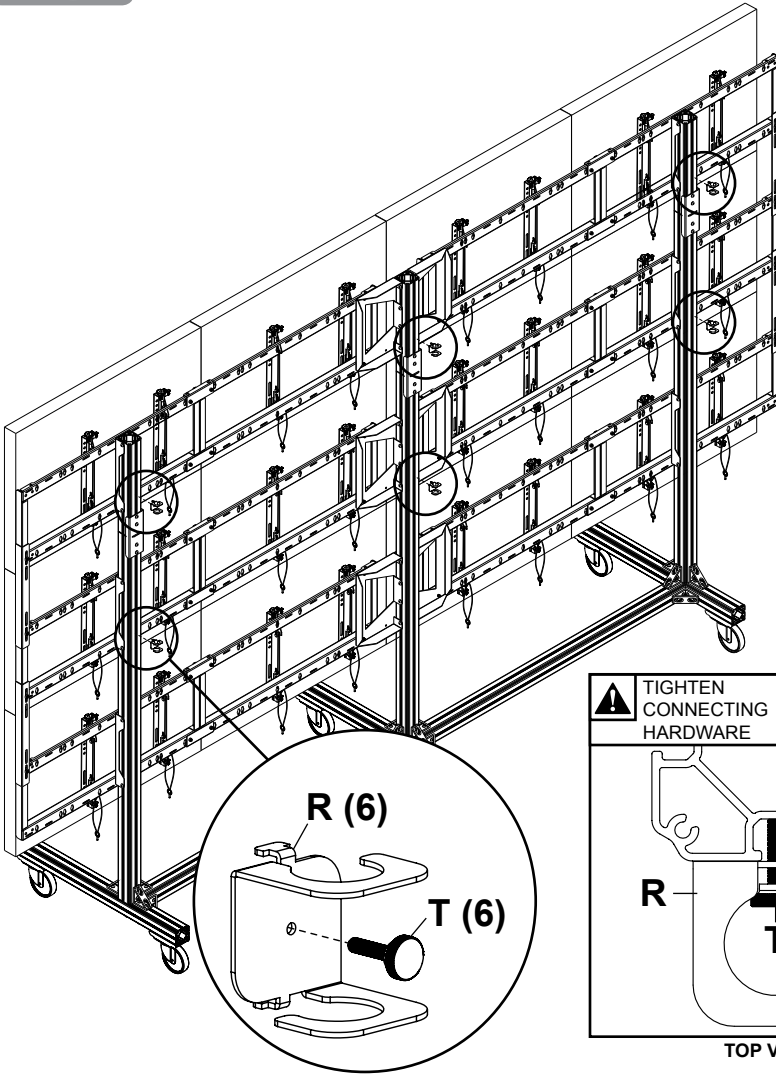


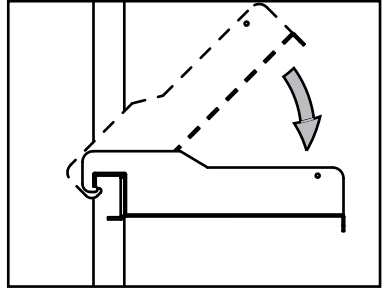
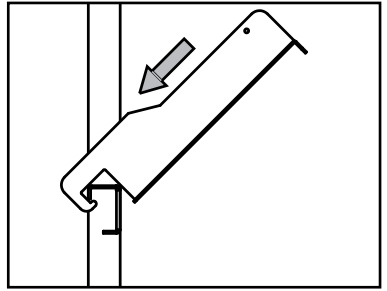
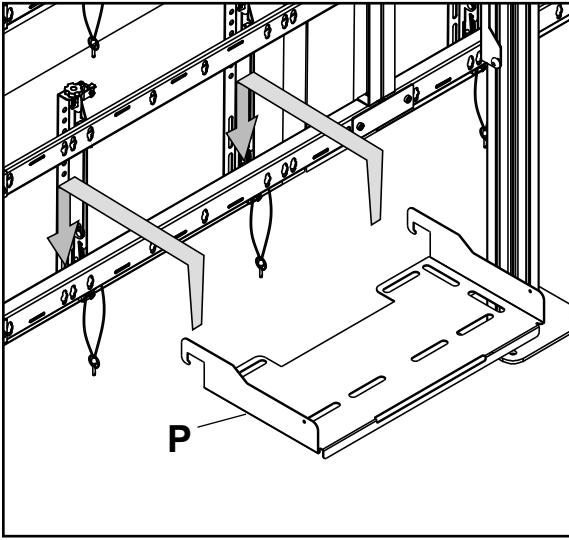
x24



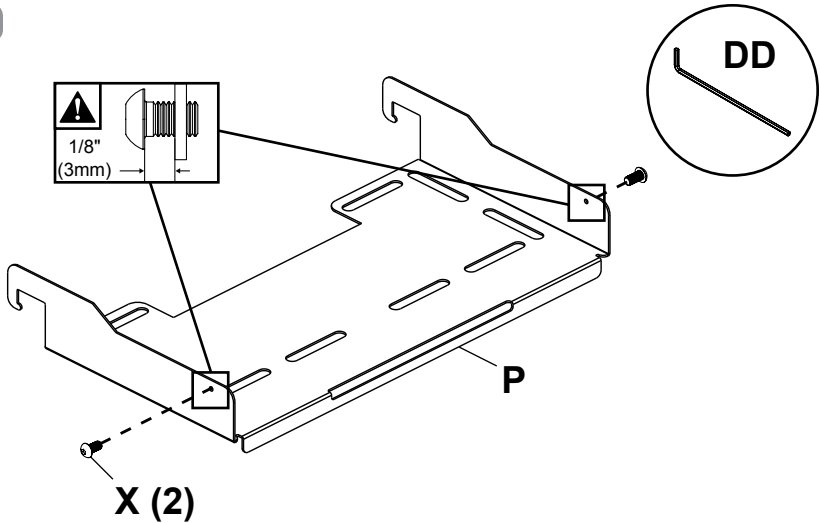
Display Adjustment



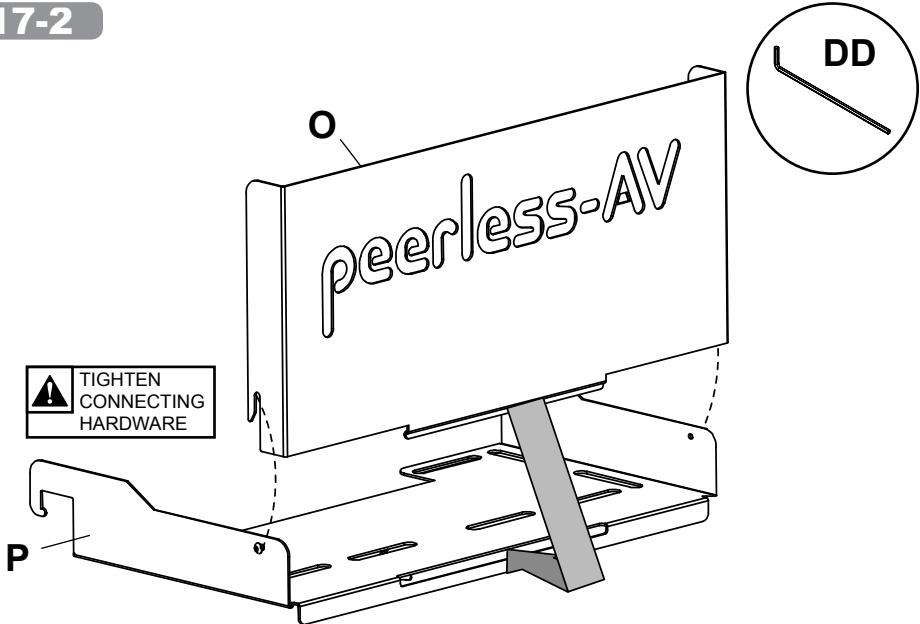




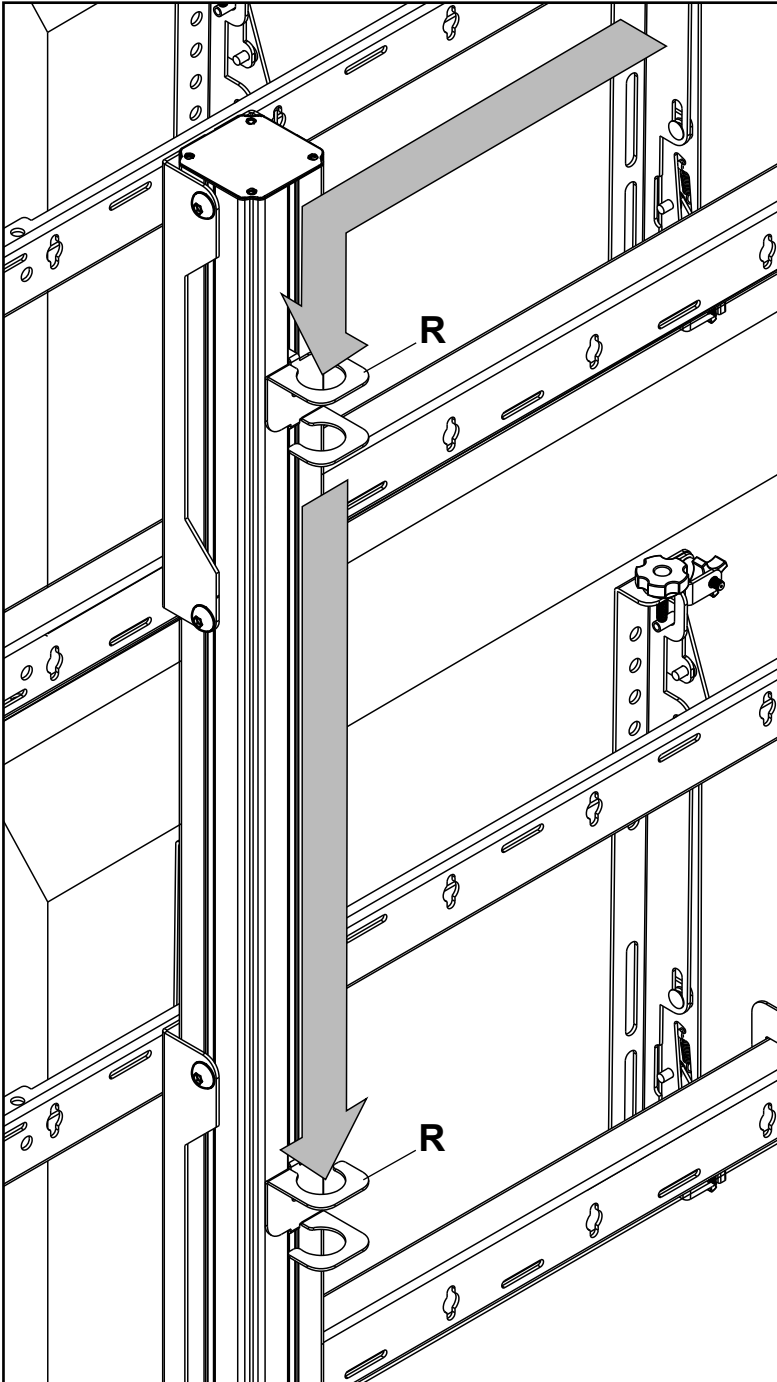
17-1



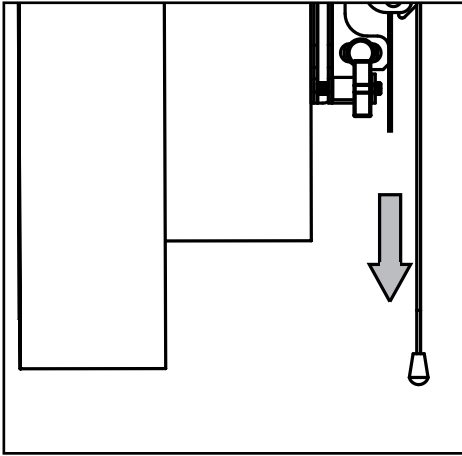
17-2



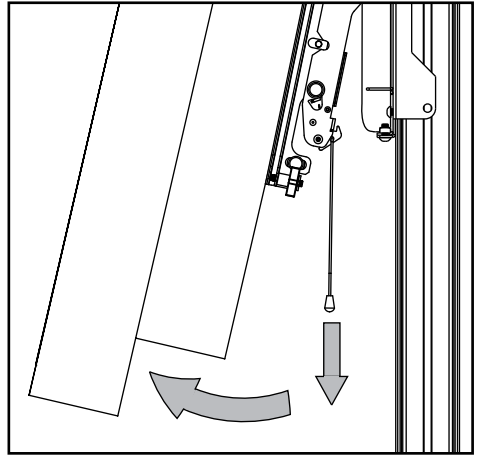
Route cables through cord brackets.



19-1 Display Removal



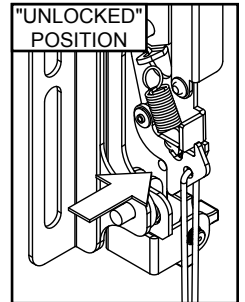
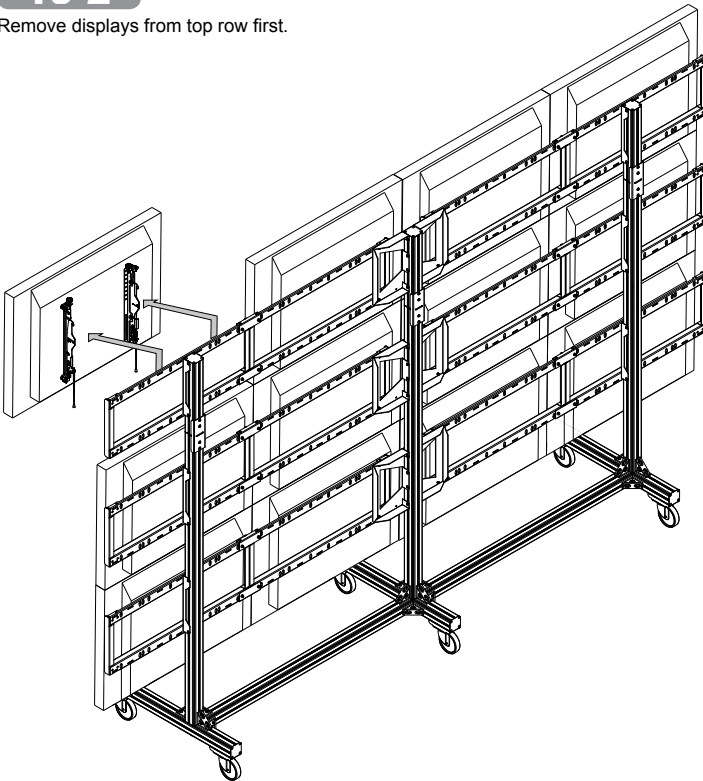
Pull down on bracket cords and hold.



Swing screen away from cart and lift to remove.

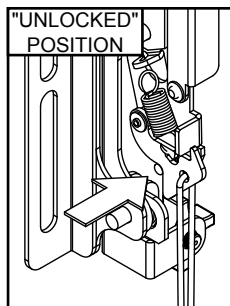
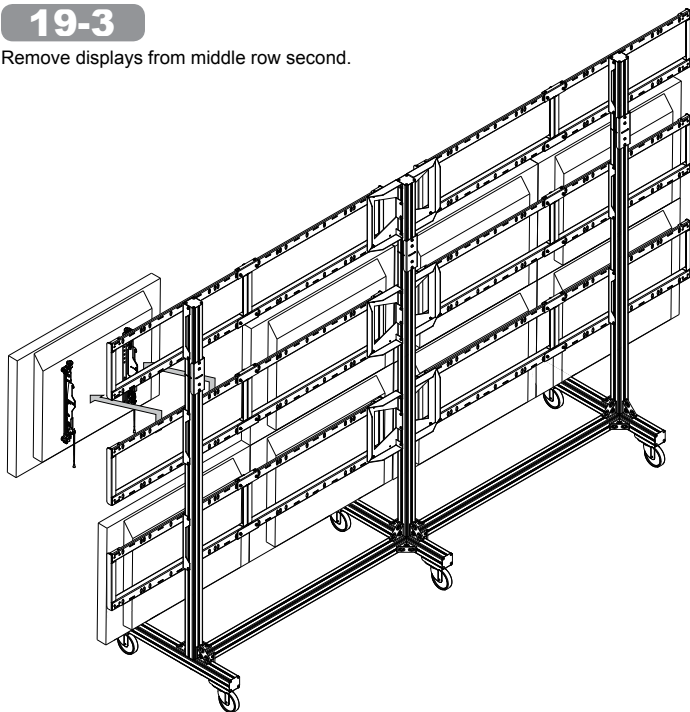
19-2

Remove displays from top row first.



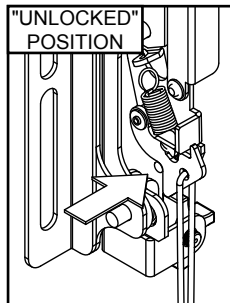
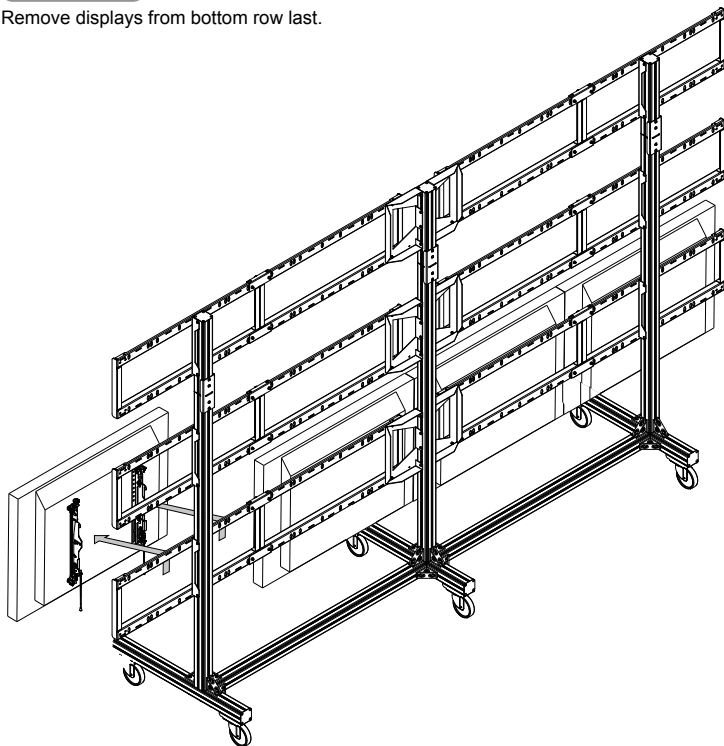
19-3

Remove displays from middle row second.



19-4

Remove displays from bottom row last.



LIMITED FIVE-YEAR WARRANTY

Peerless Industries, Inc. ("Peerless-AV") warrants to original end-users that each Peerless-AV® mounting product will be free from defects in material and workmanship, under normal use, for the applicable warranty period (from date of the original installation of the product). At its option, Peerless-AV will repair or replace, or refund the purchase price of, any product which fails to conform with this warranty.

Any implied warranty of merchantability or fitness for a particular purpose shall be limited to the period of the express warranty set forth below.

In no event shall Peerless-AV be liable for incidental or consequential damages, whether or not secured by a security device which may be included with the product.

Some states do not allow limitations on how long an implied warranty lasts, or the exclusion of incidental or consequential damages, so the above limitation and/or the above exclusion may not apply to you.

This warranty does not cover damage caused by incorrect selection, installation or the failure to follow Peerless-AV instructions or warnings when installing, using or storing the product.

This warranty gives specific legal rights, and you may also have other rights which vary from state to state. To make a warranty claim in North America, contact Peerless-AV customer care at 1-800-865-2112. See complete global warranty information for regions outside North America at www.peerless-av.com/en-uk/customer-care/warranties-returns.

The logo for Peerless-AV features the word "peerless" in a bold, lowercase, red sans-serif font. To its right, the letters "AV" are rendered in a red outline font, with a registered trademark symbol (®) to the upper right of the "V".

Peerless-AV
2300 White Oak Circle
Aurora, IL 60502
Email: tech@peerlessmounts.com
Ph: (800) 865-2112
Fax: (800) 359-6500
www.peerless-av.com

Peerless-AV Europe
Unit 3 Watford Interchange,
Colonial Way, Watford, Herts,
WD24 4WP, United Kingdom
Customer Care
44 (0) 1923 200 100
www.peerless-av.com

Peerless-AV de Mexico
Ave de las Industrias 413
Parque Industrial Escobedo
Escobedo N.L Mexico 66062
Servicio al Cliente
01-800-849-65-77
www.peerless-av.com