

PA740	Paramount™ Articulating Wall Mount for 22" to 40" Displays
--------------	--

Product Specifications

	DIMENSIONS (W x H x D)	PRODUCT WEIGHT	LOAD CAPACITY	FINISH	AVAILABLE COLORS
PA740	9.40" x 8.74" x 2.80"-14.91" (239 x 222 x 71-379mm)	4.50lb (2.04kg)	80lb (36kg)	Scratch resistant fused epoxy	Gloss black

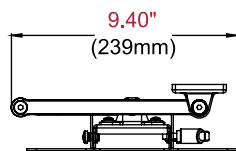
Package Specifications

	PACKAGE SIZE (W x H x D)	PACKAGE SHIP WEIGHT	PACKAGE UPC CODE	PACKAGE CONTENTS	UNITS IN PACKAGE
PA740	10.63" x 3.23" x 11.77" (270 x 82 x 299mm)	6.05lb (2.74kg)	735029256090	Wall mount, wall and display installation hardware, installation instructions	1

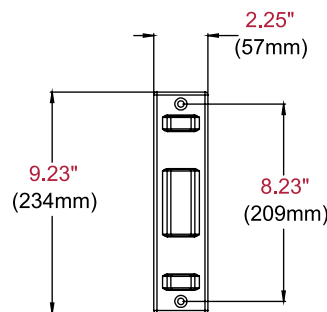
Accessories

- WSP700/701:** Metal Stud Wall Plates for 16"/24" Center Metal Studs
- ACC4X4:** VESA® 400 x 400mm Adaptor Plate

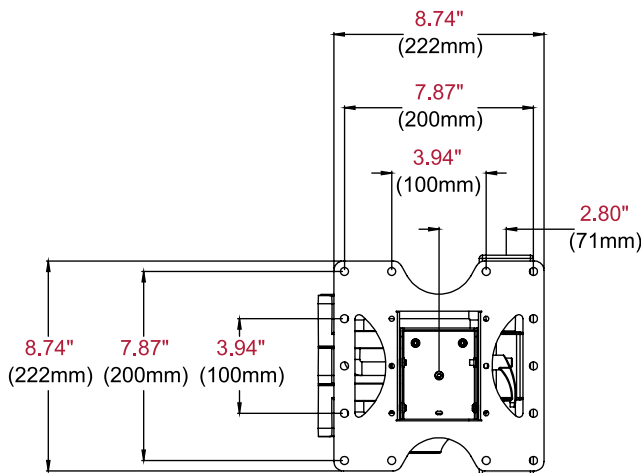
All dimensions = inch (mm)



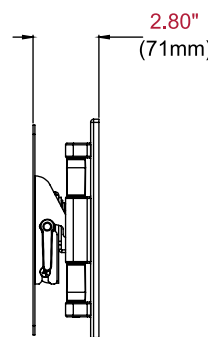
TOP VIEW



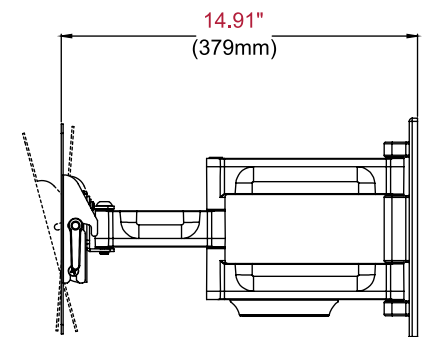
WALL PLATE DETAIL



FRONT VIEW



SIDE VIEW COLLAPSED



**SIDE VIEW EXTENDED
+15°/-5° TILT**

Architect Specifications

The Paramount™ Articulating Wall Mount shall be a Peerless-AV model PA740 and shall be located where indicated on the plans. Assembly and installation shall be done according to instructions provided by the manufacturer.

Visit peerless-av.com to see the complete line of AV solutions from Peerless-AV, including outdoor displays, wireless, kiosks, digital audio, display mounts, projector mounts, carts/stands, and a full assortment of accessories.

Peerless-AV
2300 White Oak Circle
Aurora, IL 60502 USA
(800) 865-2112
(630) 375-5100
Fax: (800) 359-6500

Peerless-AV Europe
Unit 3 Watford Interchange
Colonial Way, Watford
Herts, WD24 4WP
United Kingdom
+44 (0) 1923 200100
Fax: +44 (0) 1923 200101

Peerless-AV de México
Ave de las Industrias 413
Parque Industrial Escobedo
Escobedo, N.L.,
Mexico 66050
+52 (81) 8384-8300
Fax: +52 (81) 8384-8360

