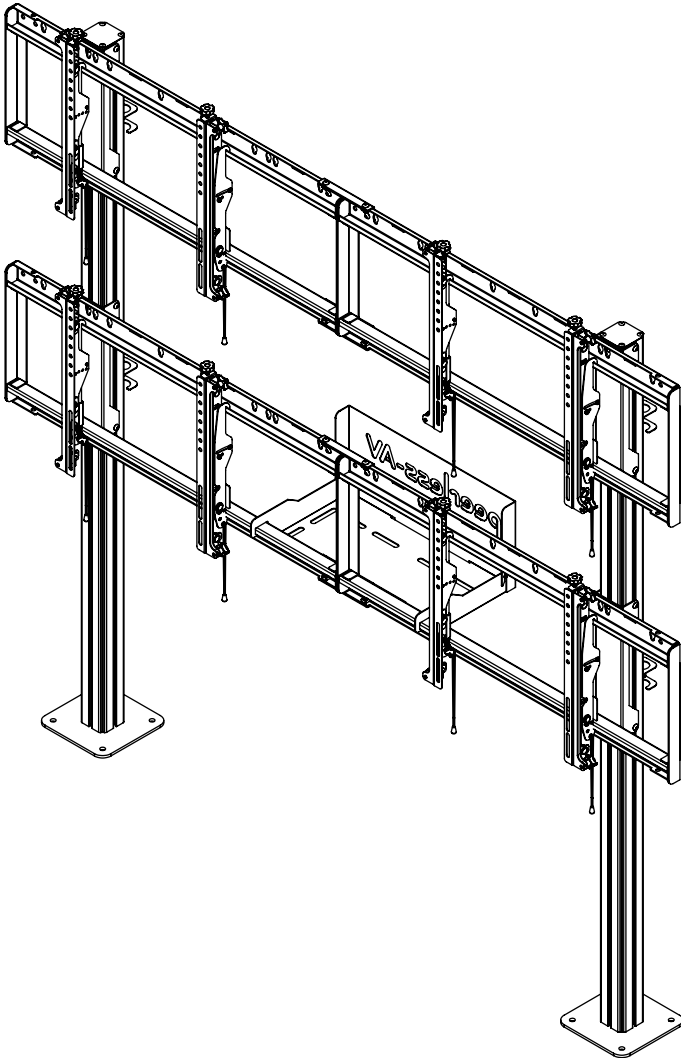


peerless-AV[®]

DS-S560-2X2

 46" - 55"
(117 - 140 cm)

 MAX
LB/KG 500 lb
(227 kg)



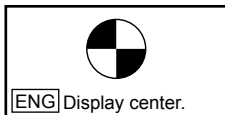
⚠ WARNING

ENG - Do not begin to install product until you have read and understood the instructions and warnings contained in this user guide. Always use an assistant or mechanical lifting equipment to safely lift and position equipment. This product must be installed onto flat, hard, level surface to prevent tipping. Use with heavier displays may result in instability causing tip over resulting in death or serious injury. Displays must be removed before moving cart. Not recommended for use in areas with heavy traffic. This product is intended for indoor use only. Use of this product outdoors could lead to product failure or personal injury. Screws must be tightly secured. Do not overtighten screws or damage can occur and product may fail. Never exceed the Maximum Load Capacity. Be careful not to pinch fingers when operating the mount. Death or serious injury may occur when children climb on audio and/or video equipment furniture. A remote control or toys placed on the furnishing may encourage a child to climb on the furnishing and as a result the furnishing may tip over on to the child. Relocating audio and/or video equipment to furniture not specifically designed to support audio and/or video equipment may result in death or serious injury due to the furnishing collapsing or over turning onto a child. For support please call customer care at 1-800-865-2112.

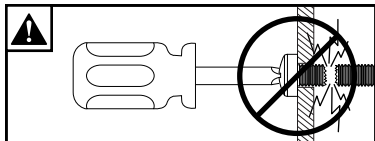
ENG Symbols



ENG Screws must get at least three full turns and fit snug.

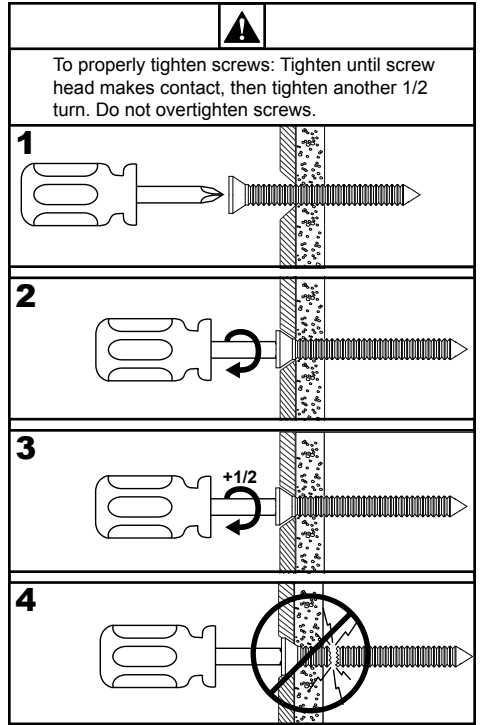
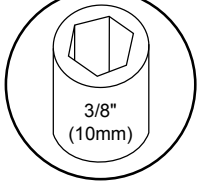
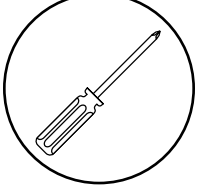
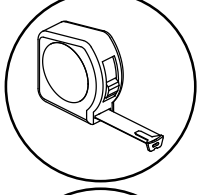
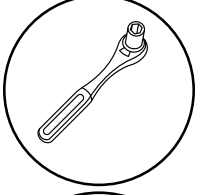
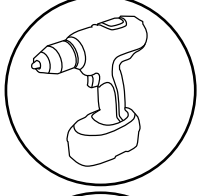
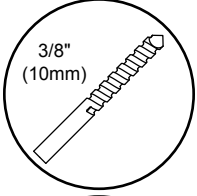
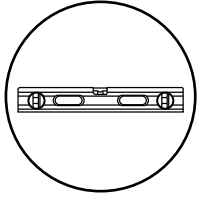
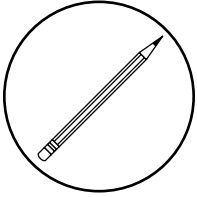


ENG Display center.



ENG Do not overtighten screws.

ENG Tools Needed for Assembly.

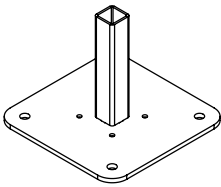


Parts (Before beginning, make sure you have all parts shown below).

Parts List		
Description	Qty	Part #
A pedestal	2	146-T1132
B column	2	146-T1131
C cover	2	145-T1809
D vertical support bracket	4	145-T1806
E left adaptor bracket	4	146-1609
F right adaptor bracket	4	146-1608
G computer cover	1	145-T1930
H computer shelf	1	145-T1931
I dual cross support	2	146-T1905
J cord bracket	4	146-T1321
K knob	4	560-1160
L M8 x 16mm socket button screw	40	520-9527
M M8 square nut	16	530-1066
N cover clip	8	590-0317
O M5 x 10mm type-f, socket pin screw	10	520-1164
P 1/4" power bit	1	560-0263
Q 5mm allen wrench	1	560-9640
R nylon shoulder washer	16	590-2233
S M6 x 12mm socket pin screw	16	520-1050
T 4mm allen wrench	1	560-9646
U M6 x 35mm screw	8	520-0717
V rawl bolt #6913	8	5M9-381-H03

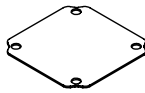
A (2)

pedestal



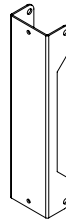
C (2)

cover



D (4)

vertical support bracket



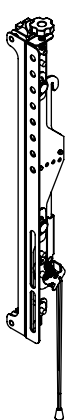
E (4)

left adaptor bracket



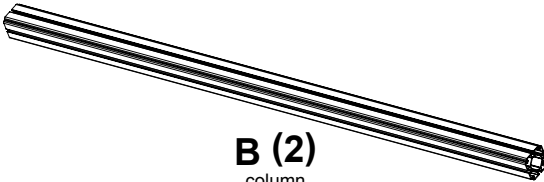
F (4)

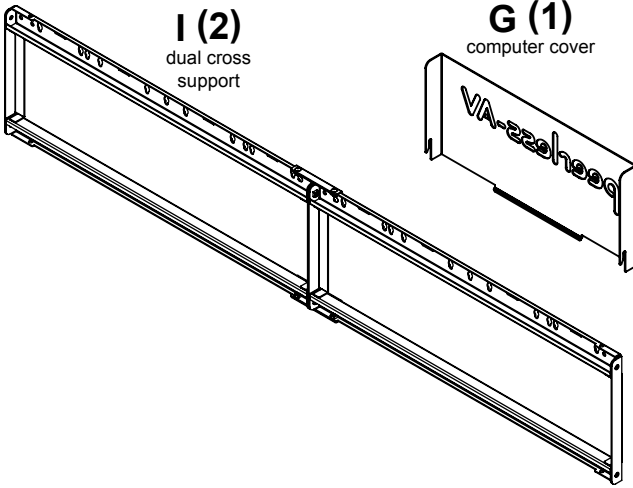
right adaptor bracket



B (2)

column

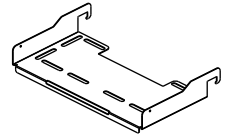




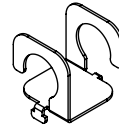
I (2)
dual cross
support

G (1)
computer cover

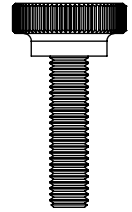
H (1)
computer shelf



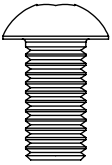
J (4)
cord
bracket



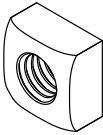
K (4)
knob



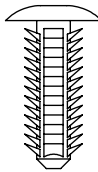
L (40)
M8 x 16mm



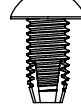
M (16)
M8 square nut



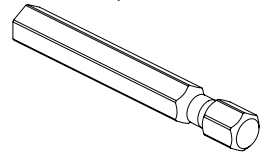
N (8)
cover clip



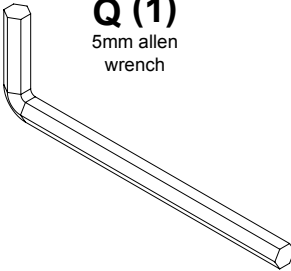
O (10)
M5 x 10mm



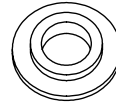
P (1)
1/4" power bit



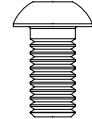
Q (1)
5mm allen
wrench



R (16)
nylon shoulder
washer



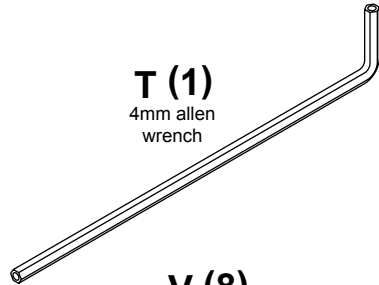
S (16)
M6 x 12mm



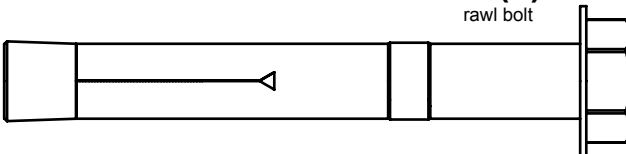
U (8)
M6 x 35mm



T (1)
4mm allen
wrench

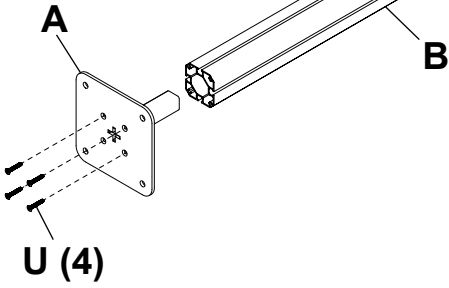
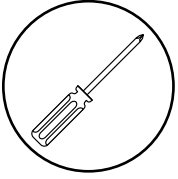


V (8)
rawl bolt



1

x2



▲ WARNING

ENG - When installing Peerless mounts on a concrete floor, the floor must be at least 8" thick with a minimum compressive strength of 2000 psi. Never attach concrete expansion anchors to concrete covered with plaster, drywall, or other finishing material.

▲ ADVERTENCIA

ESP - Cuando vaya a instalar soportes de techo de Peerless en techos de concreto, los techos tienen que tener, por lo menos, 8" de grosor con una resistencia a la compresión de 2000 psi como mínimo. Nunca fije los anclajes de expansión para concreto a superficies de concreto recubiertas con yeso, yeso-cartón u otro material de acabado.

▲ ADVERTISSEMENT

FRN - Lors de l'installation de supports de plafond Peerless sur un plafond en béton, celui-ci doit avoir au moins 8 po (20 cm) d'épaisseur et une résistance à la compression d'au moins 2 000 psi. Ne fixez jamais des chevilles à expansion pour béton à du béton recouvert d'une couche de plâtre, d'une cloison sèche ou de tout autre matériau de finition.

▲ ACHTUNG

DEU - Werden Peerless-Deckenhalter an einer Betondecke angebracht, so muss deren Dicke mindestens 203 mm (8 Zoll) und ihre Druckfestigkeit mindestens 13,8 N/mm² (2000 psi) betragen. Betonspreizdübel dürfen auf keinen Fall an Beton befestigt werden, der mit Verputz, Trockenwand- oder anderem Deckschichtmaterial bedeckt ist.

▲ WAARSCHUWING

NEL - Als de Peerless-plafondbevestiging op een betonnen plafond wordt geïnstalleerd, moet dit plafond een dikte van ten minste 20 cm hebben en een druksterkte van ten minste 2000 psi. Gebruik nooit expansie-ankers voor beton bij installatie op een betonnen plafond bedekt met gips, gipsplaat of ander afwerkingsmateriaal.

▲ AVVERTENZA

ITL - In sede d'installazione dei sostegni Peerless su un soffitto in calcestruzzo solido, il soffitto deve avere uno spessore minimo di 20 cm, con una resistenza alla compressione di almeno 2000 psi (140 kg/cm²). Non attaccare mai ancoranti a espansione per calcestruzzo su calcestruzzo ricoperto con intonaco, cartongesso o altro materiale di finitura.

▲ VÝSTRAHA

ČEŠ - Při instalaci stropních držáků Peerless na betonový strop musí být tento strop hrubý minimálně 20 cm s minimální pevností v tlaku 2000 psi. Expanzní kotvy do betonu nikdy nepřipojujete do betonu pokrytého omítkou, sádkkartonem nebo jiným dokončovacím materiálem.

▲ VÝSTRAHA

SLK - Pri montáži stropných držiakov Peerless na betónový strop musí mať tento strop hrúbku minimálne 20 cm s minimálnou tlakovou pevnosťou 2000 psi. Expanzné kotvy do betónu nikdy nenasadzujú do betónu pokrytého omietkou, sadrokartónom či iným finalizačným materiálom.

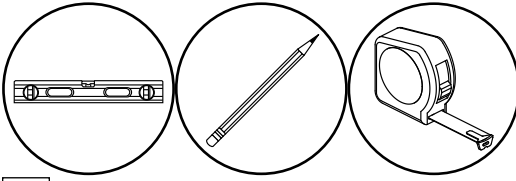
▲ AVISO

POR - Ao instalar os suportes para o teto Peerless em tetos de betão, o teto deve ter, no mínimo, 203 mm de espessura e uma força de compressão mínima de 2000 psi. Nunca instale âncoras de expansão para betão em superfícies cobertas com estuque, gesso ou outros materiais de acabamento.

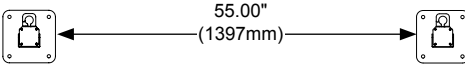
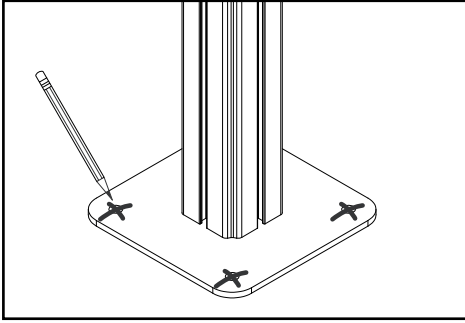
▲ UYARI

TÜR - Peerless tavan kaidelerini beton duvara monte ettiğinizde, tavan en azından 2000 psi asgari basınç dayanımına sahip olmalı ve kalınlığı da en azından 8" olmalıdır. Beton dübelleri hiç bir zaman alçı, alçıpan veya başka bir bitirme materyali ile kaplı betona takmayınız.

2-1

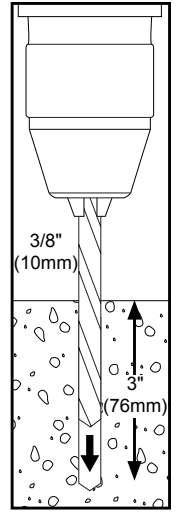
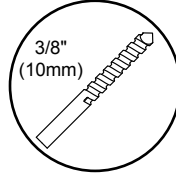


ENG Align base. Mark mounting holes.

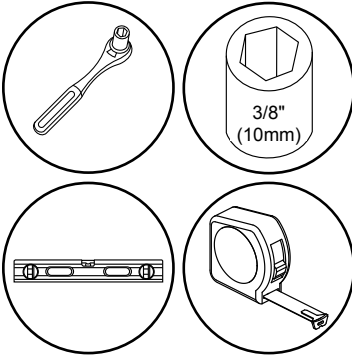


2-2

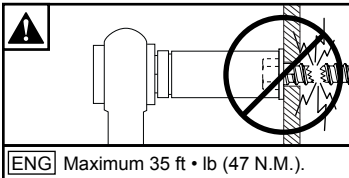
ENG Drill mounting holes in supporting surface (3" (76mm) minimum depth required).



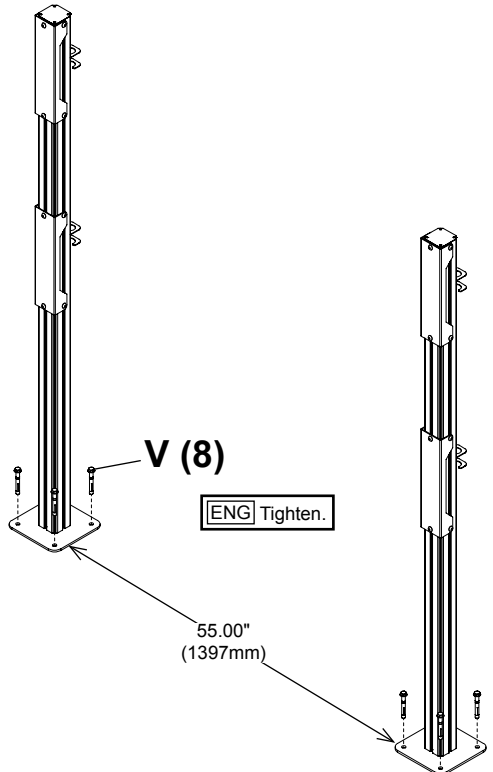
2-3



ENG Align base. Install using concrete anchors provided.

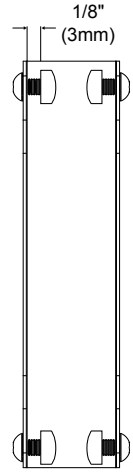
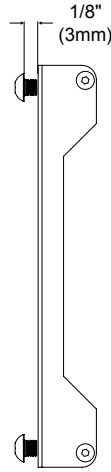
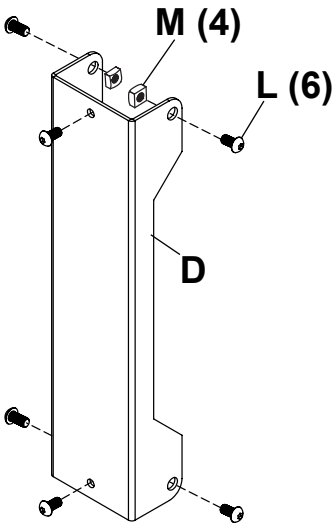
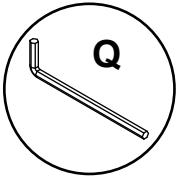


ENG Maximum 35 ft • lb (47 N.M.).

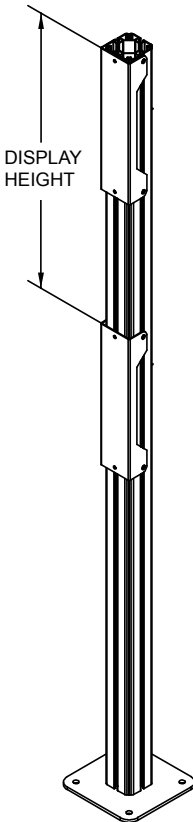
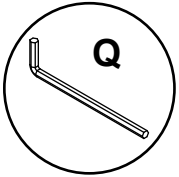


3-1

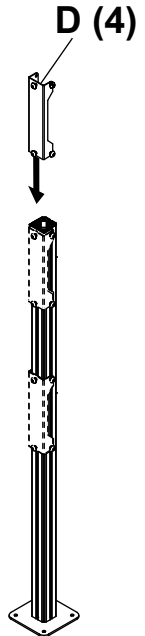
x4



3-2

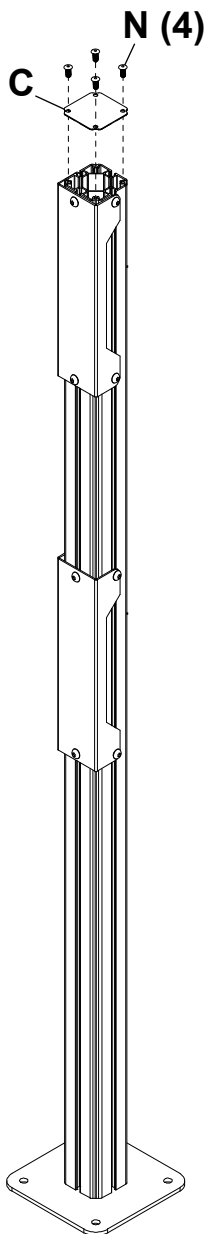


 TIGHTEN
CONNECTING
HARDWARE



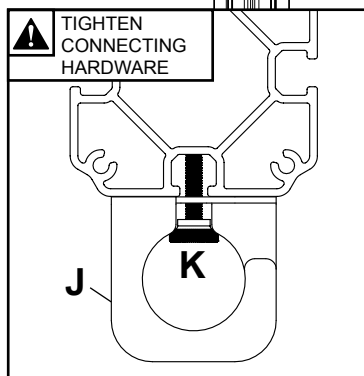
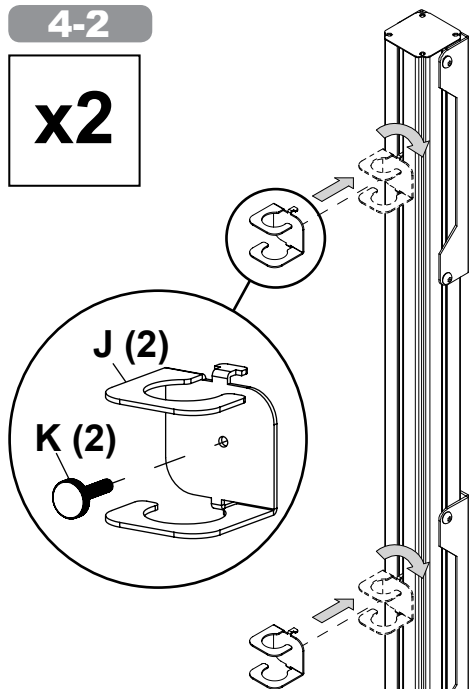
4-1

x2



4-2

x2



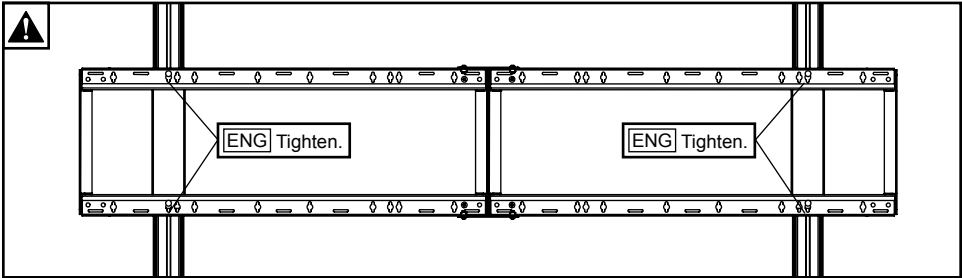
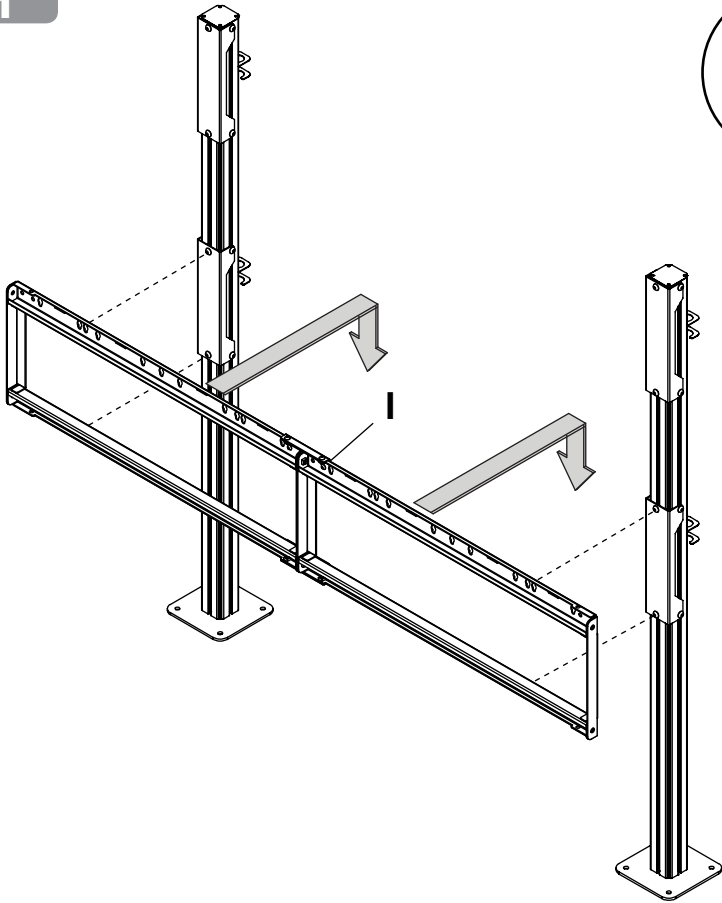
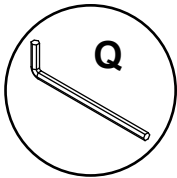
**TIGHTEN
CONNECTING
HARDWARE**

J

K

TOP VIEW

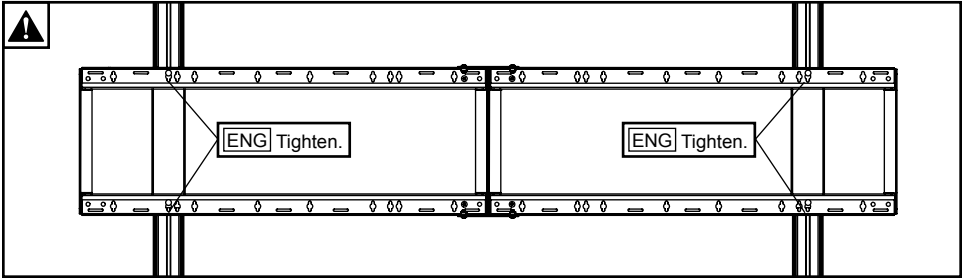
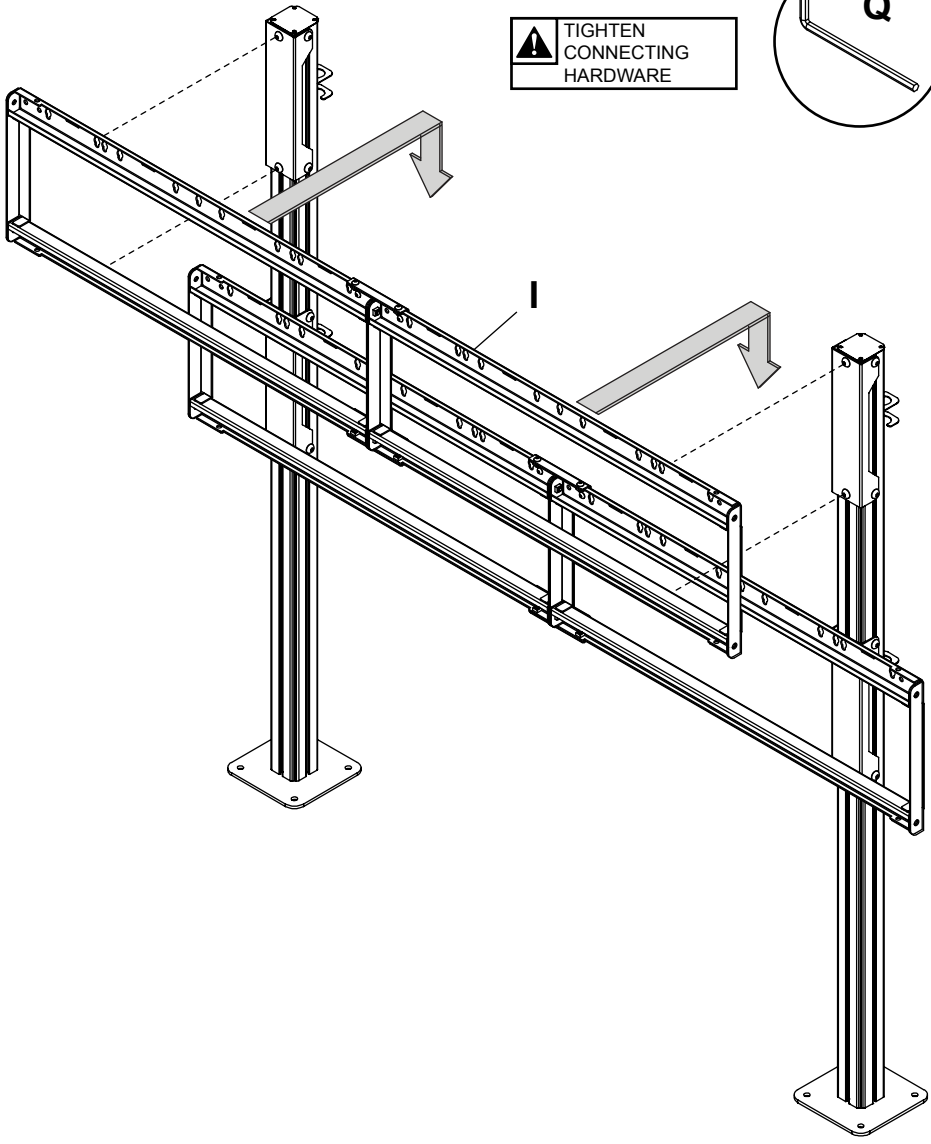
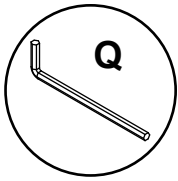
5-1



ENG Cross supports must center on columns.

5-2

 TIGHTEN
CONNECTING
HARDWARE

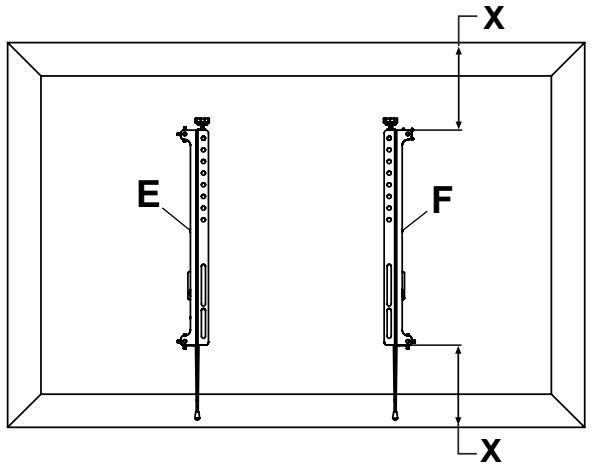


ENG Cross supports must center on columns.

6-1

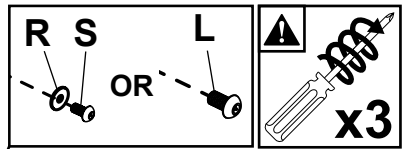
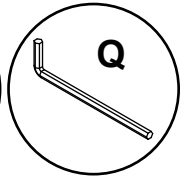
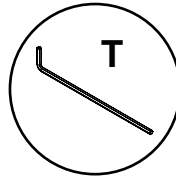
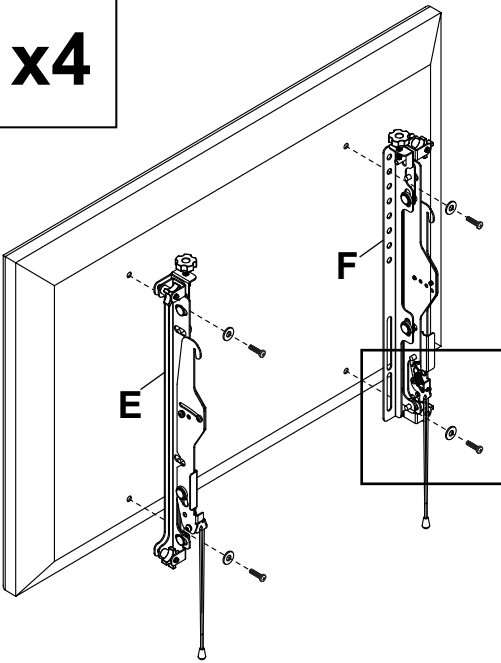
x4

ENG Center adapter brackets vertically on back of screen.



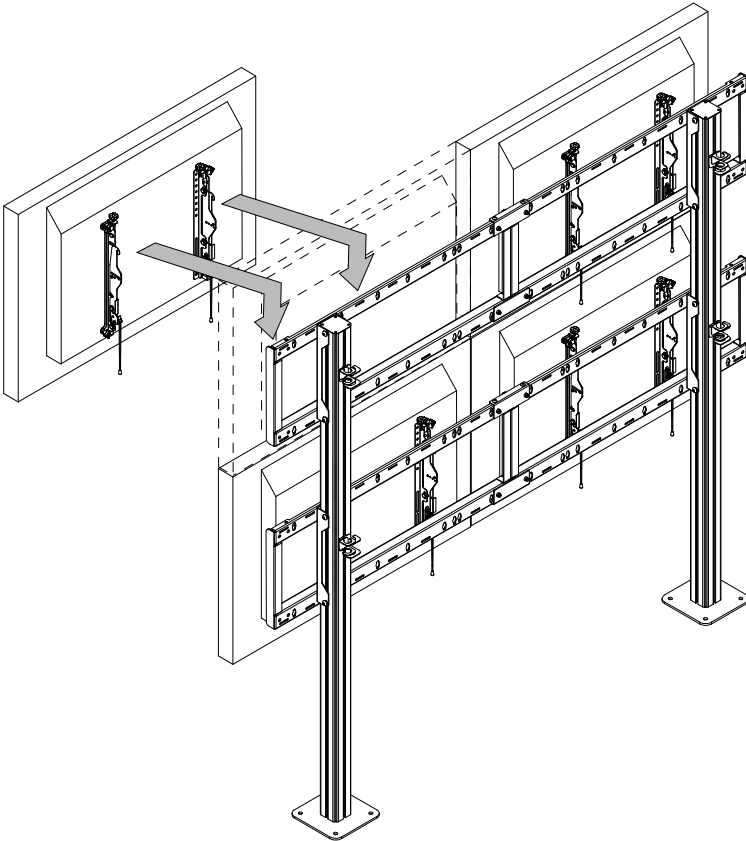
6-2

x4



7-1

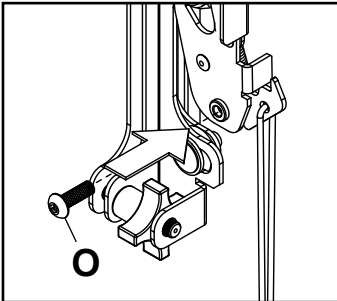
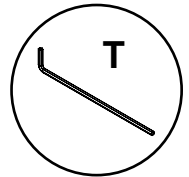
ENG Hook on displays and secure pin in "locked" position.



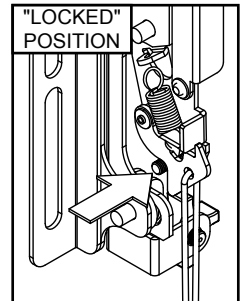
7-2

Must hang displays on top row second; Secure pin in "locked" position.

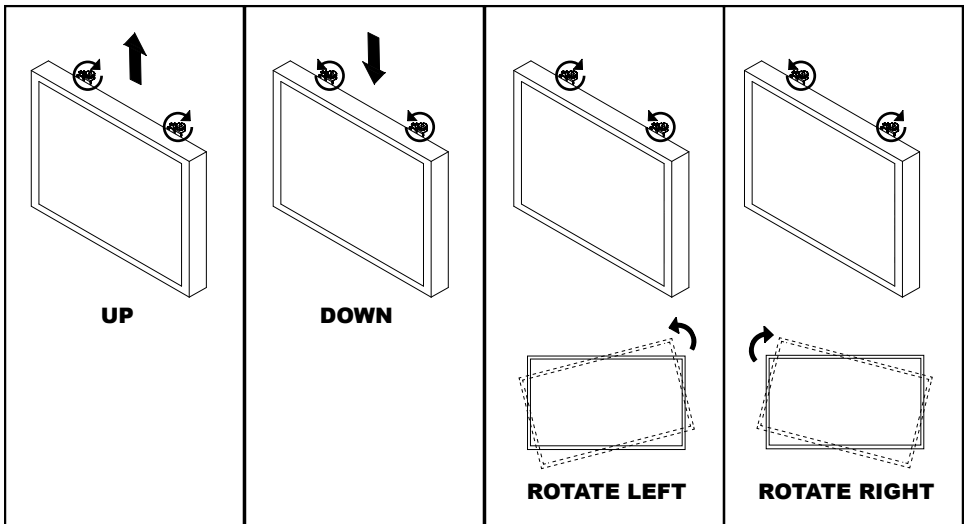
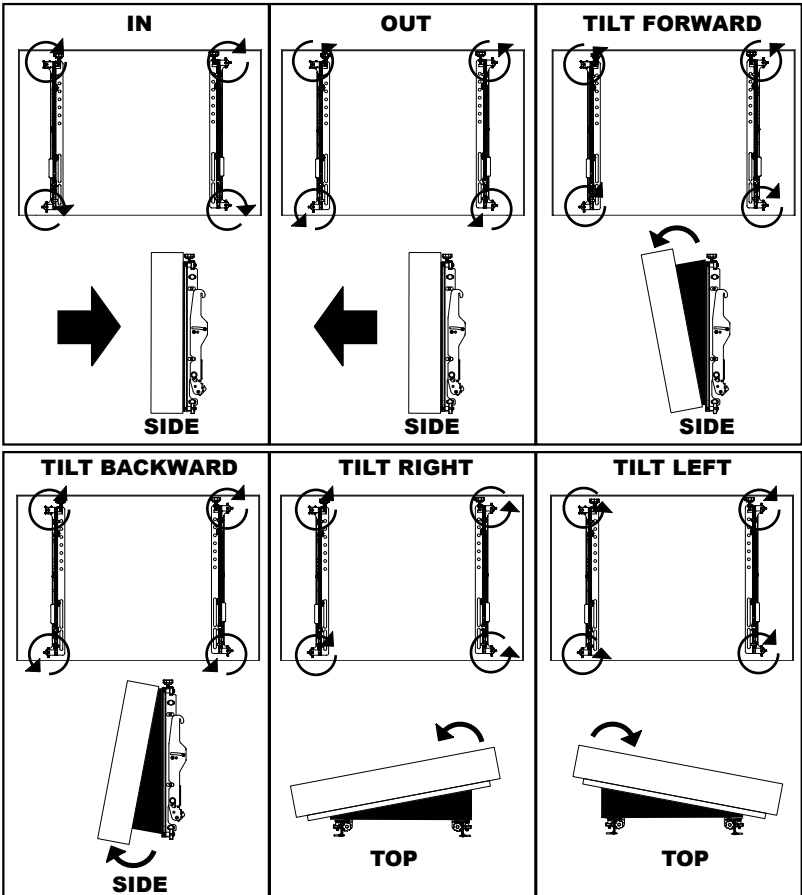
OPTIONAL: Insert M5 x 10mm type-F socket pin screws (O) to lock latches.

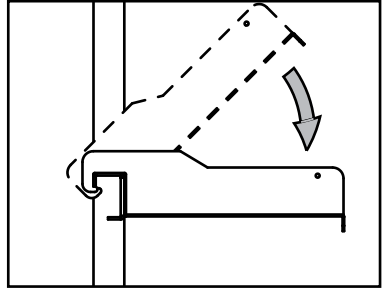
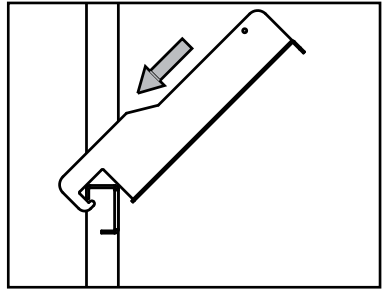
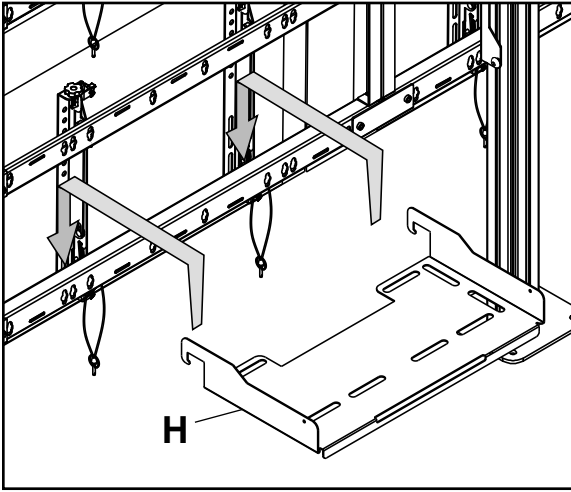


x8

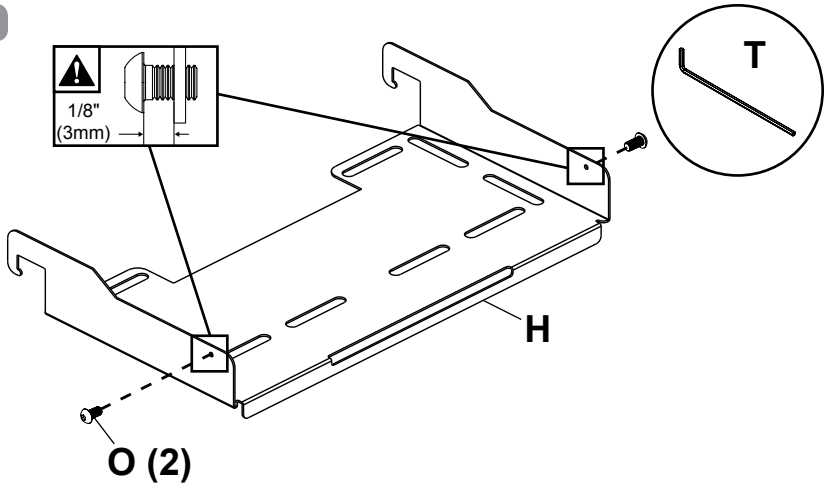


Display Adjustment

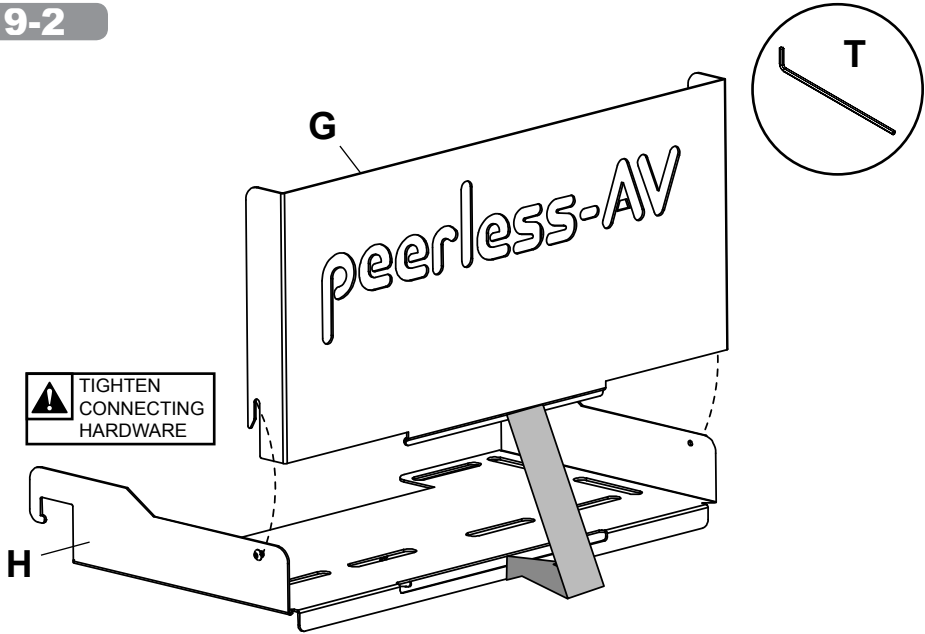




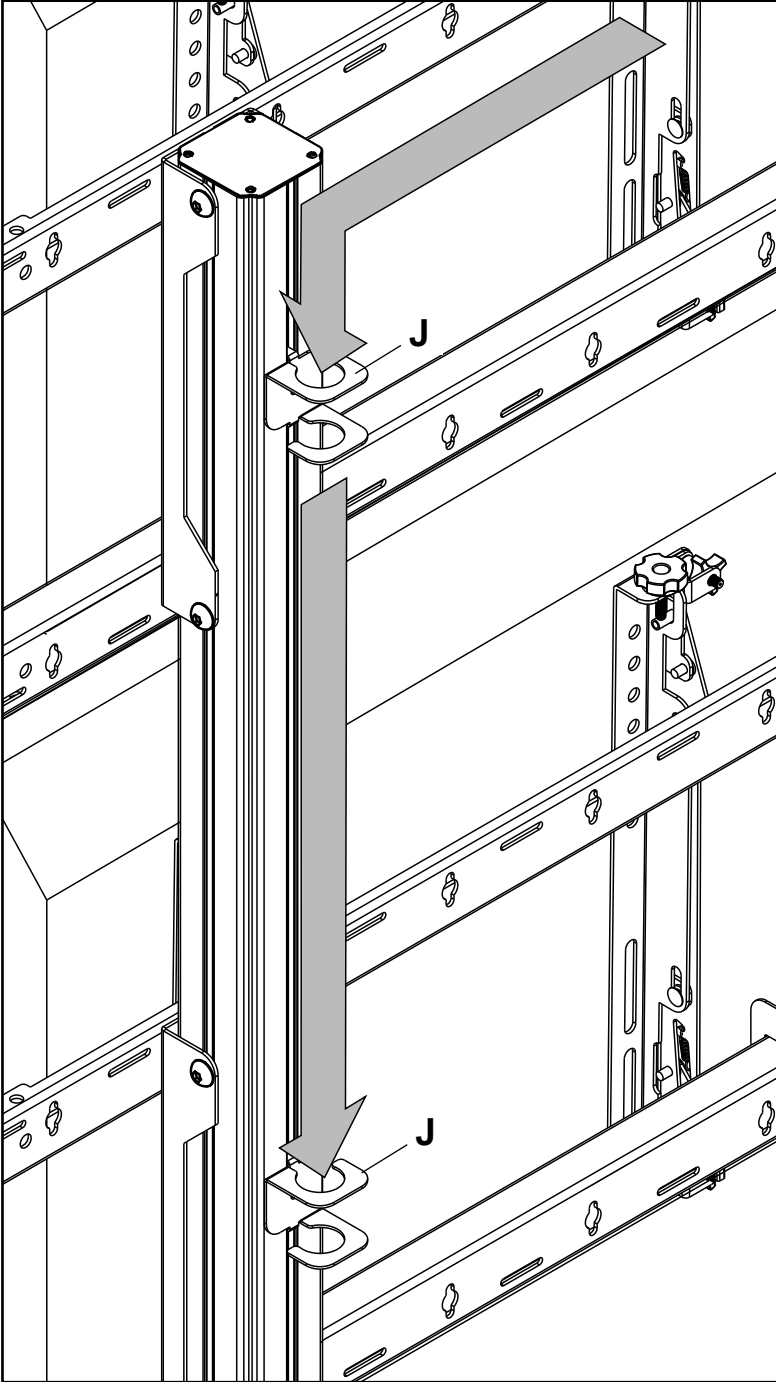
9-1



9-2



ENG Route cables through cord brackets.



LIMITED FIVE-YEAR WARRANTY

Peerless Industries, Inc. ("Peerless") warrants to original end-users of Peerless® products will be free from defects in material and workmanship, under normal use, for a period of five years from the date of purchase by the original end-user (but in no case longer than six years after the date of the product's manufacture). At its option, Peerless will repair or replace, or refund the purchase price of, any product which fails to conform with this warranty.

In no event shall the duration of any implied warranty of merchantability or fitness for a particular purpose be longer than the period of the applicable express warranty set forth above. Some states do not allow limitations on how long a implied warranty lasts, so the above limitation may not apply to you.

This warranty does not cover damage caused by (a) service or repairs by the customer or a person who is not authorized for such service or repairs by Peerless, (b) the failure to utilize proper packing when returning the product, (c) incorrect installation or the failure to follow Peerless' instructions or warnings when installing, using or storing the product, or (d) misuse or accident, in transit or otherwise, including in cases of third party actions and force majeure.

In no event shall Peerless be liable for incidental or consequential damages or damages arising from the theft of any product, whether or not secured by a security device which may be included with the Peerless® product. Some states do not allow the exclusion or limitation of incidental or consequential damages, so the above limitation or exclusion may not apply to you.

This warranty is in lieu of all other warranties, expressed or implied, and is the sole remedy with respect to product defects. No dealer, distributor, installer or other person is authorized to modify or extend this Limited Warranty or impose any obligation on Peerless in connection with the sale of any Peerless® product.

This warranty gives specific legal rights, and you may also have other rights which vary from state to state.

peerless-AV[®]

Peerless-AV

2300 White Oak Circle
Aurora, IL 60502
Email: tech@peerlessmounts.com
Ph: (800) 865-2112
Fax: (800) 359-6500
www.peerless-av.com

© 2018, Peerless Industries, Inc.

Peerless-AV Europe

Unit 3 Watford Interchange,
Colonial Way, Watford, Herts,
WD24 4WP, United Kingdom
Customer Care
44 (0) 1923 200 100
www.peerless-av.com

© 2018, Peerless Industries, Inc.

Peerless-AV de Mexico

Ave de las Industrias 413
Parque Industrial Escobedo
Escobedo N.L. Mexico 66062
Servicio al Cliente
01-800-849-65-77
www.peerless-av.com

© 2018, Peerless Industries, Inc.