

ACC-GS1	SmartMount® Tempered Glass Shelf for Peerless-AV® Carts or Stands
----------------	---

Product Specifications

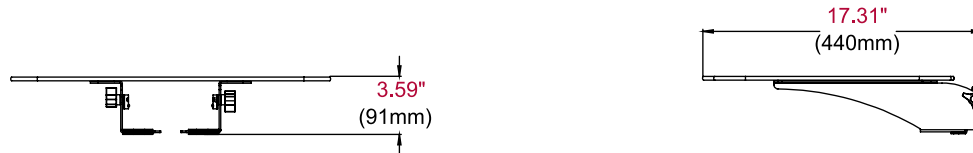
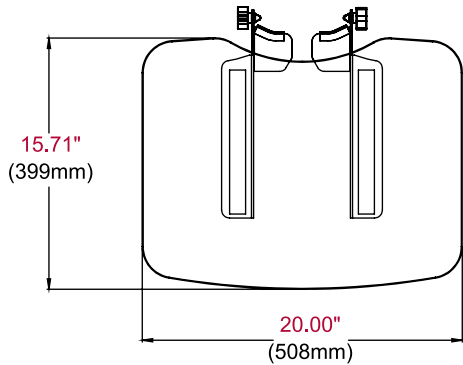
	DIMENSIONS (W x H x D)	PRODUCT WEIGHT	LOAD CAPACITY	FINISH	AVAILABLE COLORS
ACC-GS1	20.00" x 3.59" x 17.31" (508 x 91 x 440mm)	13lb (5.91kg)	10lb (4.5kg) per shelf	Textured powder coat	Black

Package Specifications

	PACKAGE SIZE (W x H x D)	PACKAGE SHIP WEIGHT	PACKAGE UPC CODE	PACKAGE CONTENTS	UNITS IN PACKAGE
ACC-GS1	18.50" x 4.38" x 24.38" (470 x 111 x 619mm)	14lb (6.36kg)	735029305309	Tempered Glass Shelf and Mounting hardware	1

- Compatible with:**
- SR560M(-AB)(-AW):** SmartMount® Flat Panel Cart for 32" to 75" Displays
 - SR575M:** SmartMount® Full Featured Flat Panel Cart for 32" to 75" Displays
 - SR555M:** SmartMount® Flat Panel Video Conferencing Cart for 40" to 55" Displays
 - SR598:** SmartMount® Flat Panel Cart for 55" to 98" Displays
 - SS560F:** SmartMount® Flat Panel Floor Stand for 32" to 75" Displays
 - SS560M:** SmartMount® Flat Panel Floor Stand for 32" to 75" Displays
 - SS560G:** SmartMount® Flat Panel Floor Stand for 32" to 75" Displays

All dimensions = inch (mm)



Architect Specifications

The SmartMount® Tempered Glass Shelf shall be a Peerless-AV® model ACC-GS1 and shall be located where indicated on the plans. Assembly and installation shall be done according to instructions provided by the manufacturer.

Visit peerless-av.com to see the complete line of AV solutions from Peerless-AV, including outdoor displays, wireless, kiosks, digital audio, display mounts, projector mounts, carts/stands, and a full assortment of accessories.

Peerless-AV
2300 White Oak Circle
Aurora, IL 60502 USA
(800) 865-2112
(630) 375-5100
Fax: (800) 359-6500

Peerless-AV Europe
Unit 3 Watford Interchange
Colonial Way, Watford
Herts, WD24 4WP
United Kingdom
+44 (0) 1923 200100
Fax: +44 (0) 1923 200101

Peerless-AV de México
Unit 3 Watford Interchange
Ave de las Industrias 413
Parque Industrial Escobedo
Escobedo, N.L.,
Mexico 66050
+52 (81) 8384-8300
Fax: +52 (81) 8384-8360

