

# NEWSTAR

## AV & IT MOUNTS



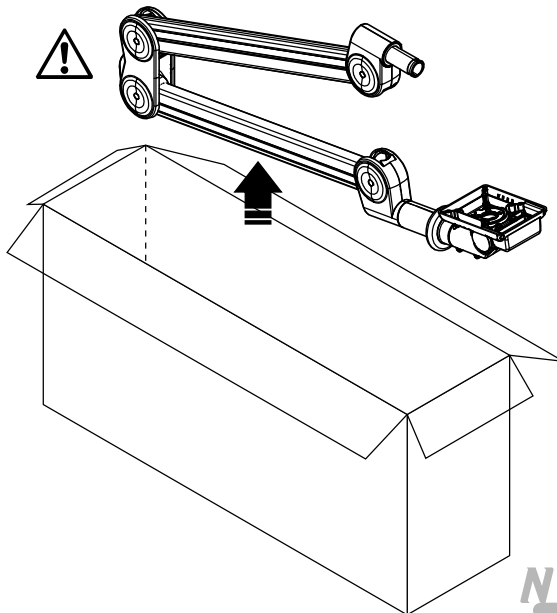
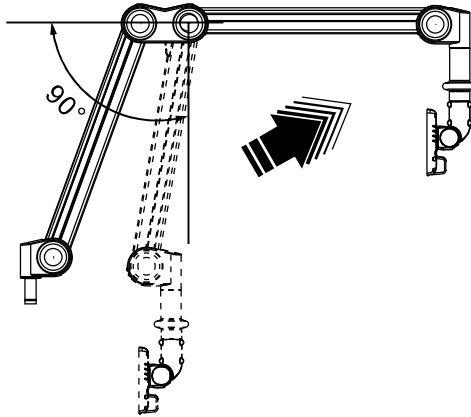
### FPMA-HAW200

- |   |                                    |   |                                     |
|---|------------------------------------|---|-------------------------------------|
|  | Medical flat screen mount          |  | Medische flatscreen steun           |
|  | Medical Display Halterung          |  | Support médical pour écran plat     |
|  | Supporto medico per schermo piatto |  | Soporte para pantalla medica plana  |
|  | Suporte para ecrã médico plano     |  | Medicinske fladskærmbeslag          |
|  | Sairaala näyttöjen teline          |  | Fäste för medicinska platta skärmar |
|  | Medisinske flatskjermfeste         |  | Uchwyt medyczny monitora            |

# Safety Notes



The arm will bounce up with a vertical movement going past 90 degrees.



## Before starting Assembly

- Please spend some time reading this installation guide then follow the simple step by step guide to assembly.
- Some panels are viewed differently from the exploded drawing below, this is for extra clarity.
- Do not discard any of the packaging until you have checked all the parts and the pack of fittings.
- If you are missing any of the parts, contact supplier where you purchased.



THE INSTALLATION SHOULD BE PERFORMED BY A QUALIFIED TECHNICIAN AND SHOULD MEET THE REQUIREMENTS OF LOCAL REGULATIONS.

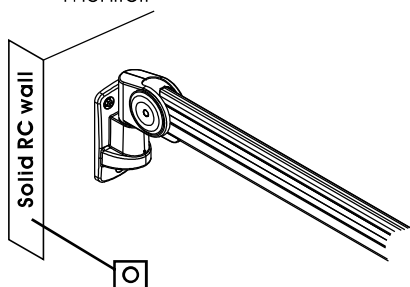


## Cautions

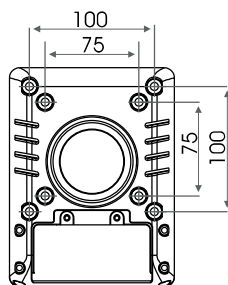
- Once assembled DO NOT dis-assemble.
- Make sure that mounting screws are suitable for the vertical surface and adequate to hold the weight of the arm and the monitor.
- Support the monitor and arm throughout assembly and mounting.
- Keep small parts out of the reach of children.



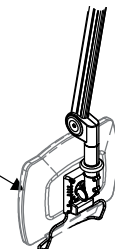
- Make sure that the vertical surface is substantial to take the weight of the arm and monitor.



- Only use with LCD/TFT monitors that are VESA compliant- 75/75mm, 100/100mm.



LCD/TFT  
monitor



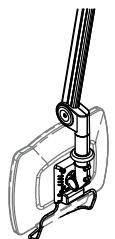
- Monitors to be mounted should not weigh any more than between.



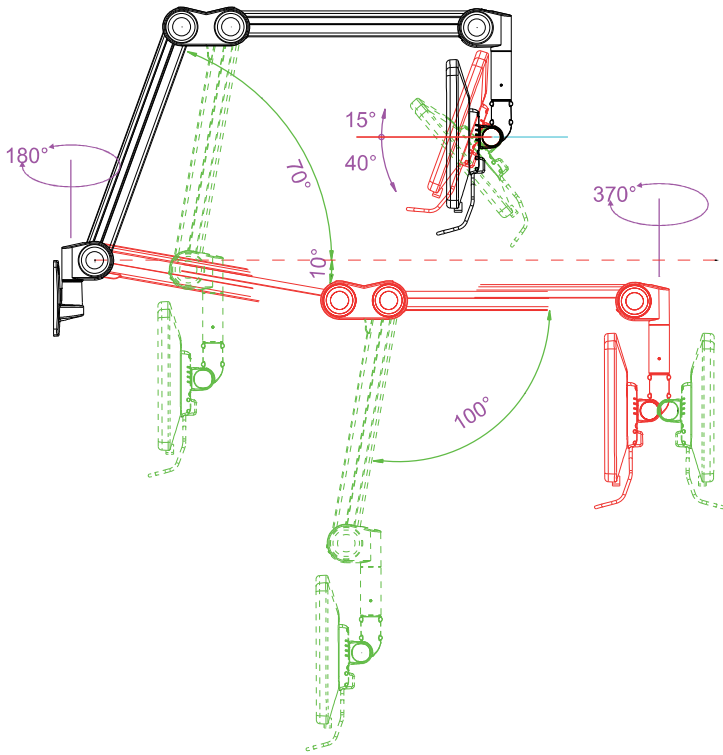
Loading: 1 ~ 7 kg.

(The loading has set up to the middle of loading capacity in factory)

- The product's loading capacity is based on monitors' center of gravity less than 3cm from the end of the VESA interface.
- Loading capacity can be reduced if the monitor size is greater than 26 inches or the depth is greater than 5.5cm.
- All products specifications in catalogues are subject to change without notice.

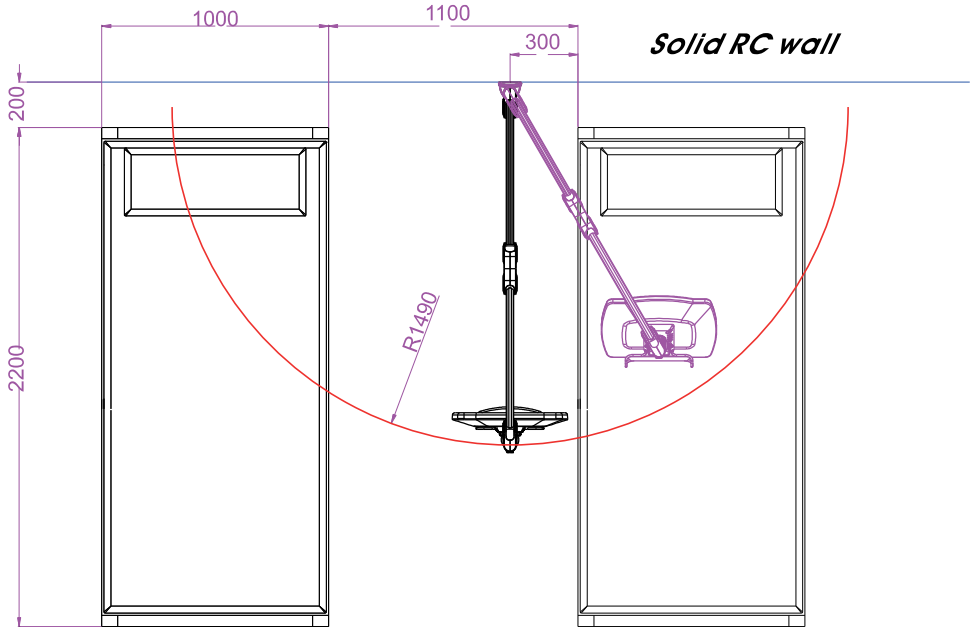


# Arm Operation



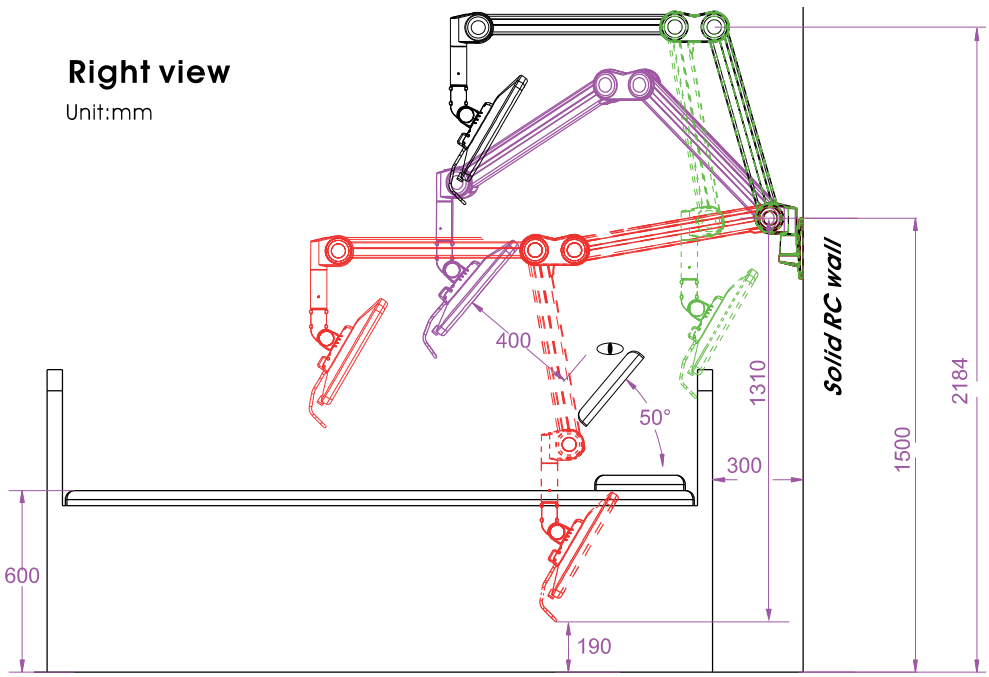
The serviceable range of arm

**Top view** unit:mm



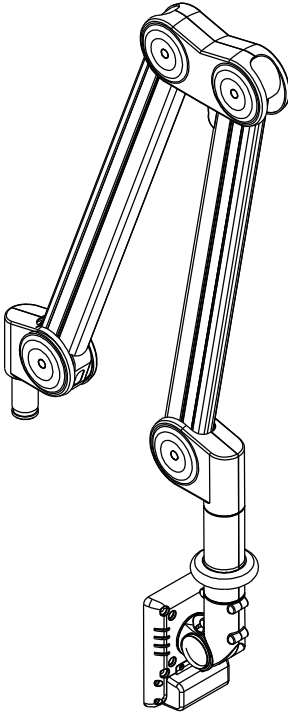
**Right view**

Unit:mm

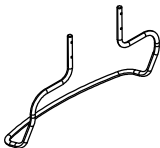


## Check list

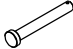
01 Arm X1




02 Grab Handle X1




03  R-pin X1

04  Cable bolt X1


05  "T" Allen key X1

06  (3mm) Allen key X1


07  Screw cover X8


08  (M4X12) Screw X4

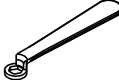
09  (M6X30) Screw X4

10  (M4X25) Screw X4

11  spacer sleeve X4

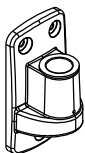
12  (2.5mm) Allen key X1

13  (4mm) Allen key X1

14  Wrench X2

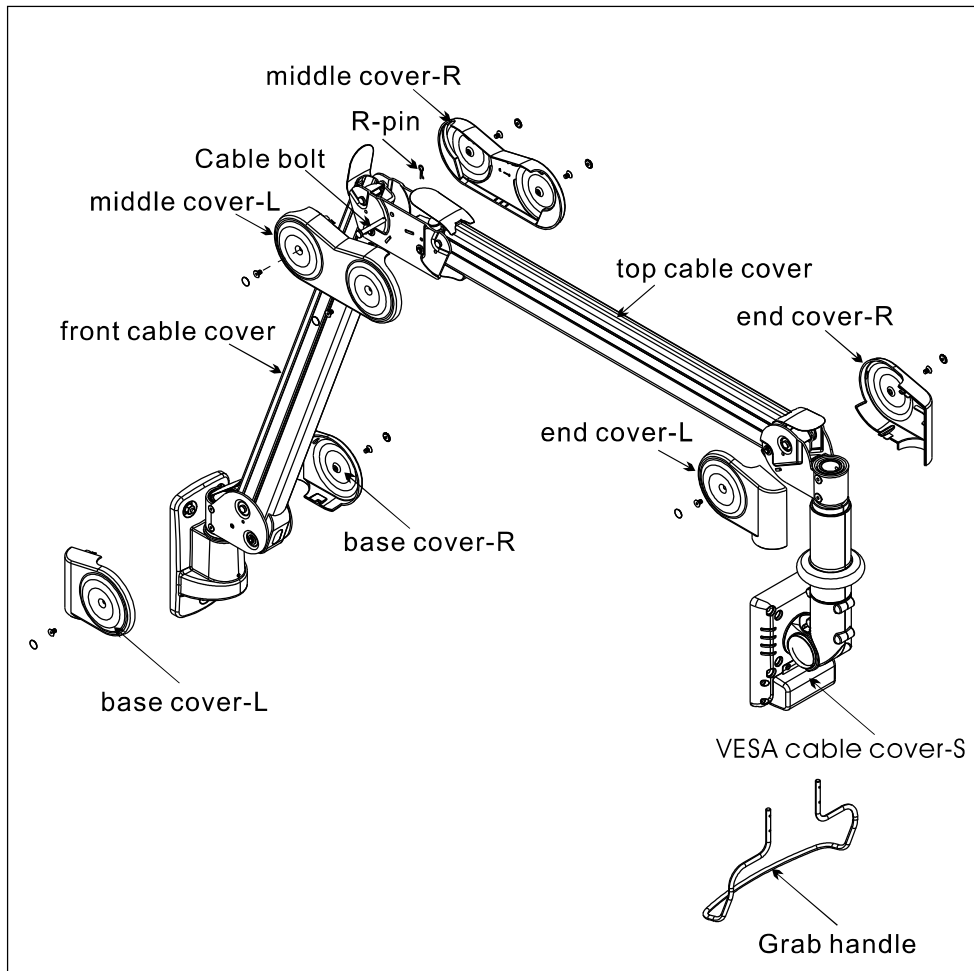
15  VESA cable cover-B X1

16



Wall mount X1

## Part introduction

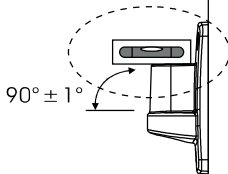
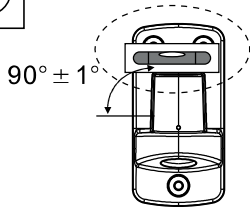
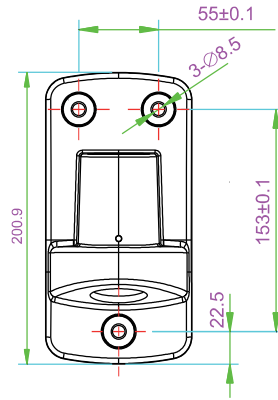
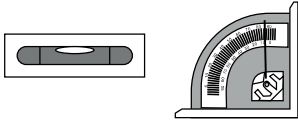


## Installation Procedure

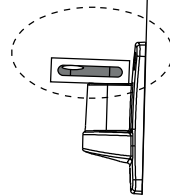
- Step 1: Wall mount installation
- Step 2: Attach the medical monitor arm to wall mount
- Step 3: Cable Assembly
- Step 4: Attach Monitor to VESA, Complete the circuit
- Step 5: Fixing the Grab Handle
- Step 6: Adjustment for Loading
- Step 7: Replace the arm covers

# Note:

- Use level gauge or protractor to help the wall mount installation.



**Solid RC wall**



**Solid RC wall**

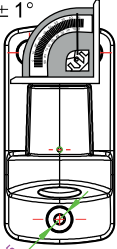




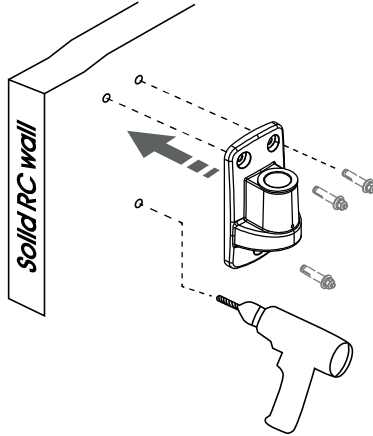
## STEP 1. Wall mount assembly

- Make sure the substantial wall before assembling.
- Put the wall mount on the exact place & height that you want and have 3 marks on the wall.
- Install the wall mount on the wall with 3 expansion bolts(not provided).
- Make sure that the wall that the wall mount attach to is vertical.

$90^{\circ} \pm 1^{\circ}$



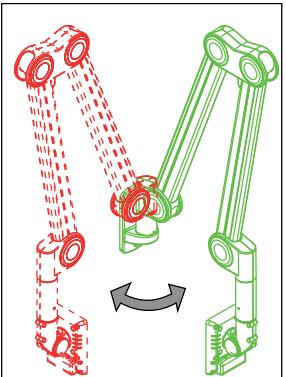
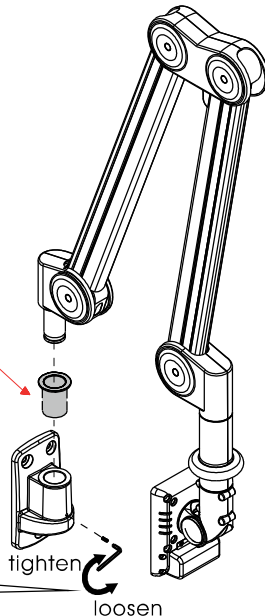
- Use level gauge to help the wall mount installation.



## STEP 2.

Make sure the plastic bushing already include in the wall mount before put the arm into the wall mount.

Use 2.5mm allen key to secure the pole and the wall mount with the screw when feel resistenz, loosening the screw half turn.



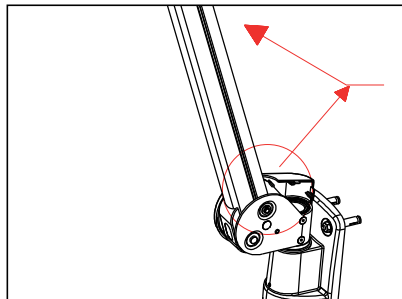
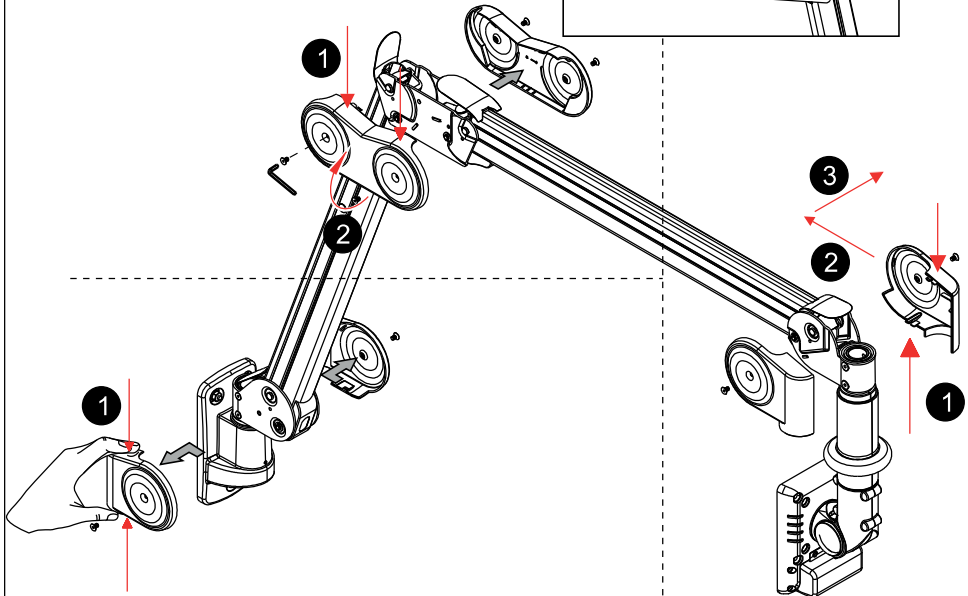
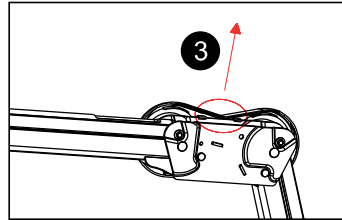
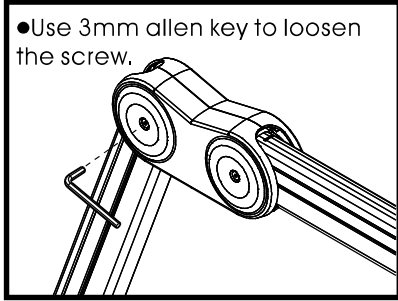
Move the arm from side to side to verify the arm moves correctly.

## STEP 3. Cable assembly

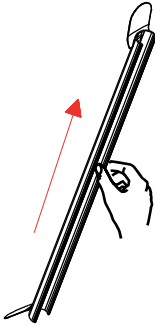
### 3.1 Remove arm covers :

- 1.Screws on the covers and keep the screws for replacement later.
- 2.Remove the covers in the way as instructed in the figures.

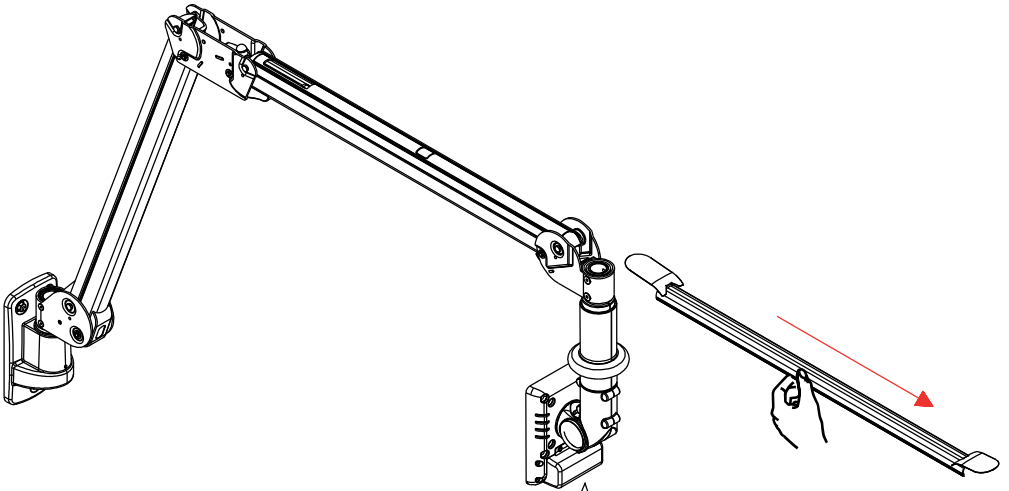
●Use 3mm allen key to loosen the screw.



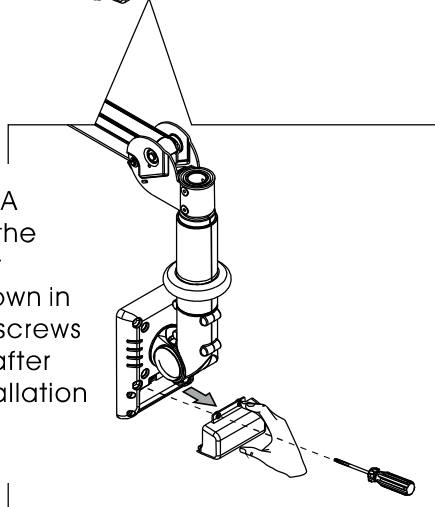
### 3.2 Remove cable covers :



Slid the cable cover out of the arm slot carefully as shown.



- Remove the VESA cable cover by the screw driver (not provided) as shown in figure. keep the screws for re-screwing after the monitor installation are completed.



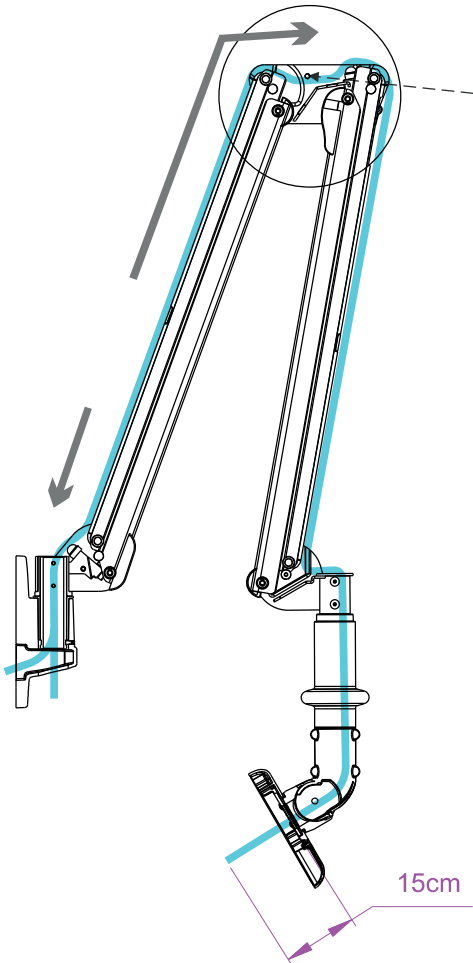
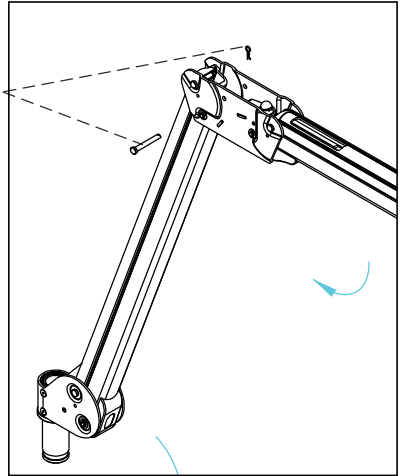
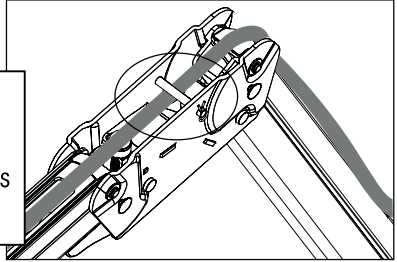
### 3.3 Insert cables through arm

Use the cable bolt and R-pin to fix the cable with wire loom. (as figure ).



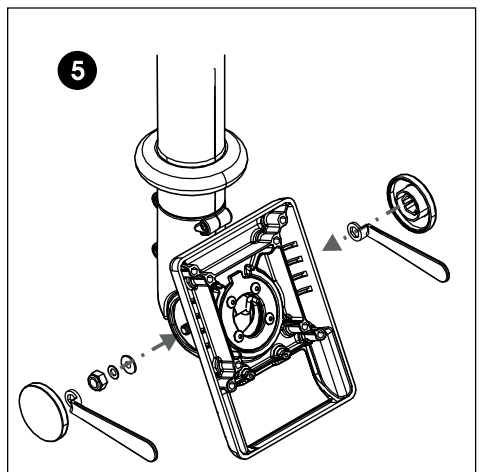
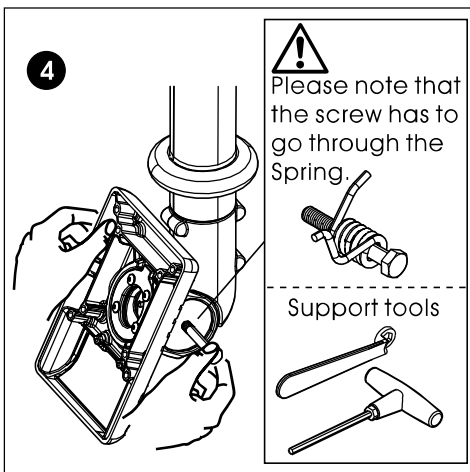
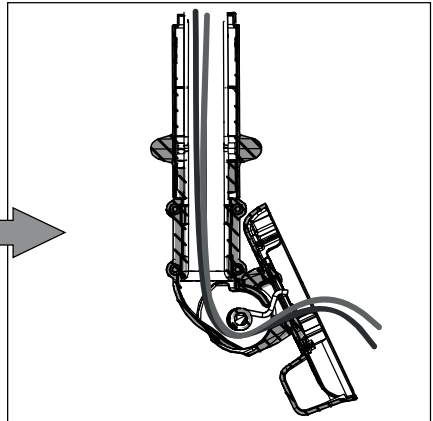
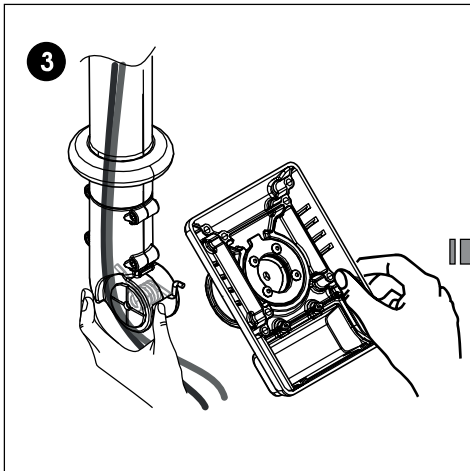
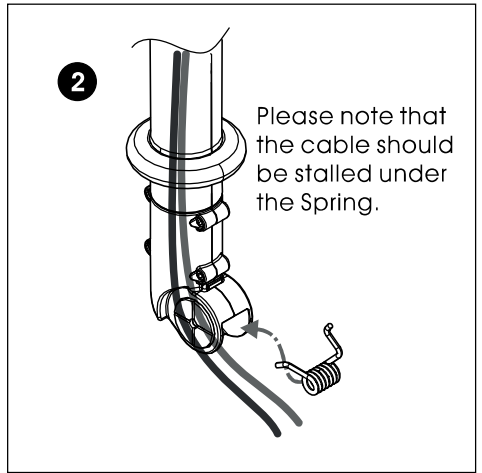
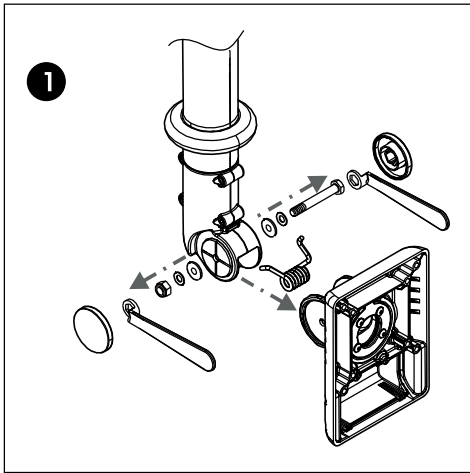
The cable with wire loom must lay under the cable bolt!

Some slack must be left in the cables to allow for arm movement.



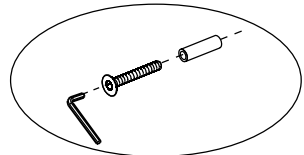
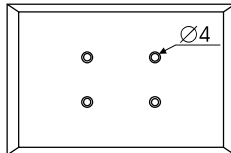
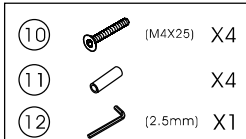
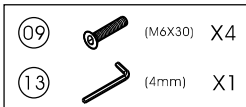
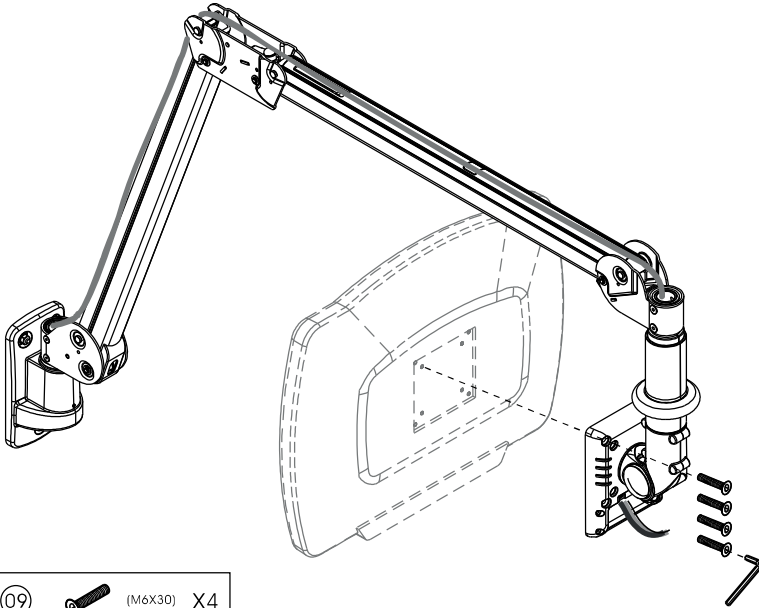
●The VESA adapter must be moved fully down for putting the cable through.

●Allowing for arm movement, we suggest leave at least 15 cm long cable from the VESA adapter as shown.



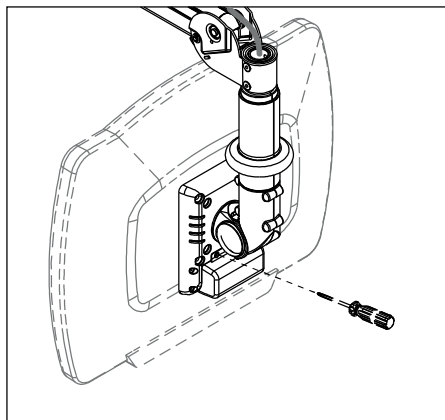
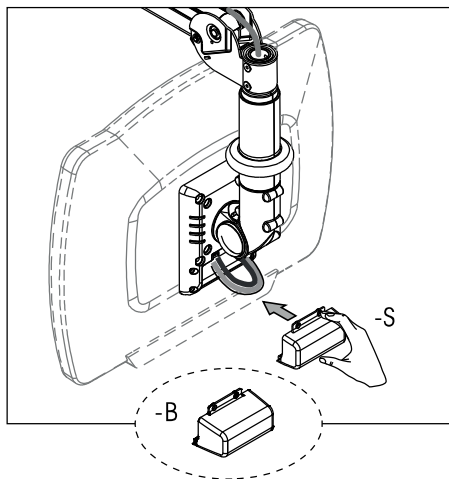
## STEP 4. Attach Monitor to VESA, Complete the circuit

4.1 Fix the Monitor on the VESA mount using Allen Key and screws.



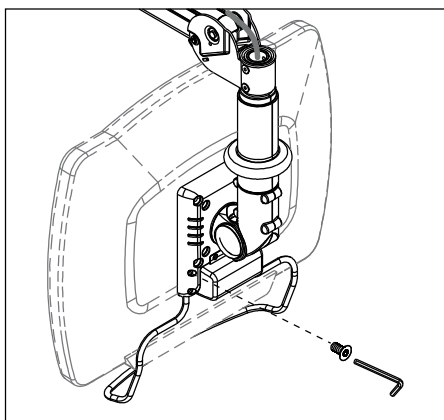
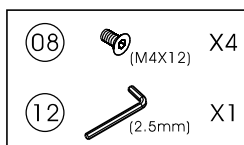
## 4.2 Connect cable to monitor

Connect the cables to the monitor, complete the circuit and then replace the VESA cable cover-B or VESA cable cover-S.



## STEP 5. Fixing the Grab Handle

- Insert the grab handle into the 2 holes on the bottom of VESA interface.
- Then fix the grab handle with 4 screws by 2.5 mm Allen Key through the 4 holes on the lower part of VESA interface.





## STEP 6. Adjustment for loading

**Read the entire steps before starting the adjustment!**

**Caution for weight capacity adjustment:**



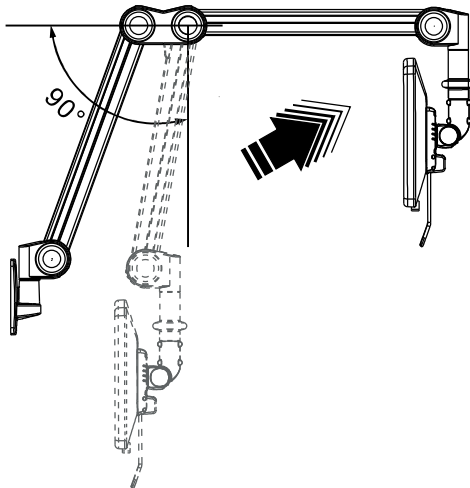
Loading : 1 ~ 7kg.

(The loading has set up to the middle of loading capacity in factory)

- The product's loading capacity is based on monitors' center of gravity less than 3cm from the end of the VESA interface.
- Loading capacity can be reduced if the monitor size is greater than 26 inches or the depth is greater than 5.5cm.



**If the monitor's weight is less than 7kg, the arm will bounce up with a vertical movement going past 90 degrees.**



**NEWSTAR**  
AV & IT MOUNTS  
WWW.NEWSTAR.EU

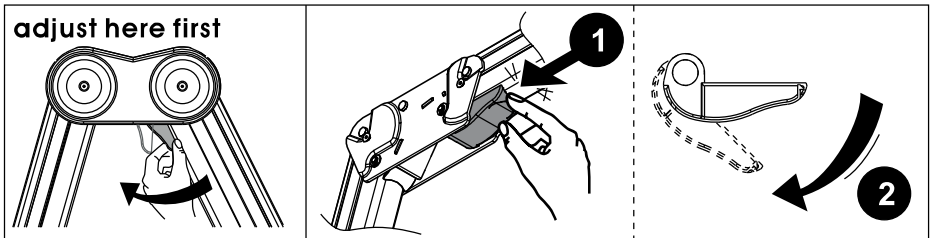


**6.1**

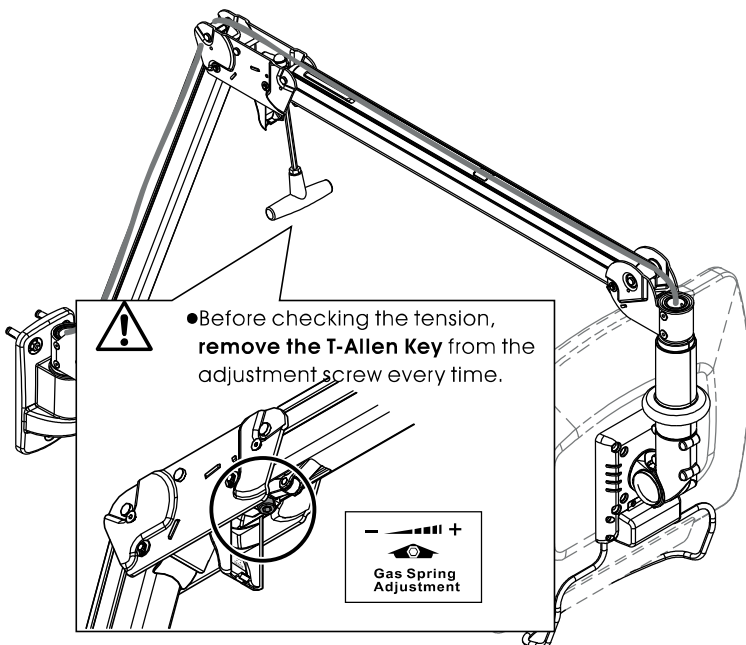
**Adjustment:**

1. Adjust the arm close to the monitor first.
2. Use the T-Allen key provided to adjust the weight capacity.
3. Turn the T-Allen key clockwise for more weight; counterclockwise for less weight.
4. Continue the process until the desired adjustment is reached.

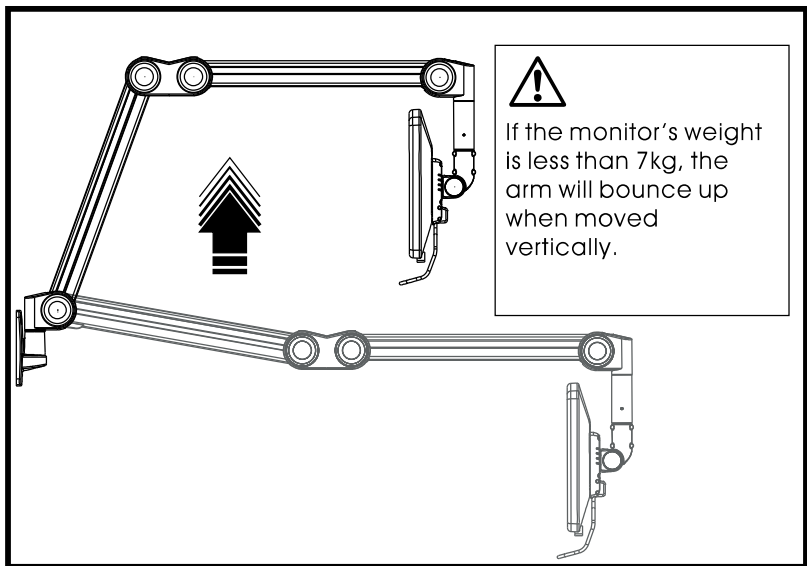
● Open the adjuster covers as shown.



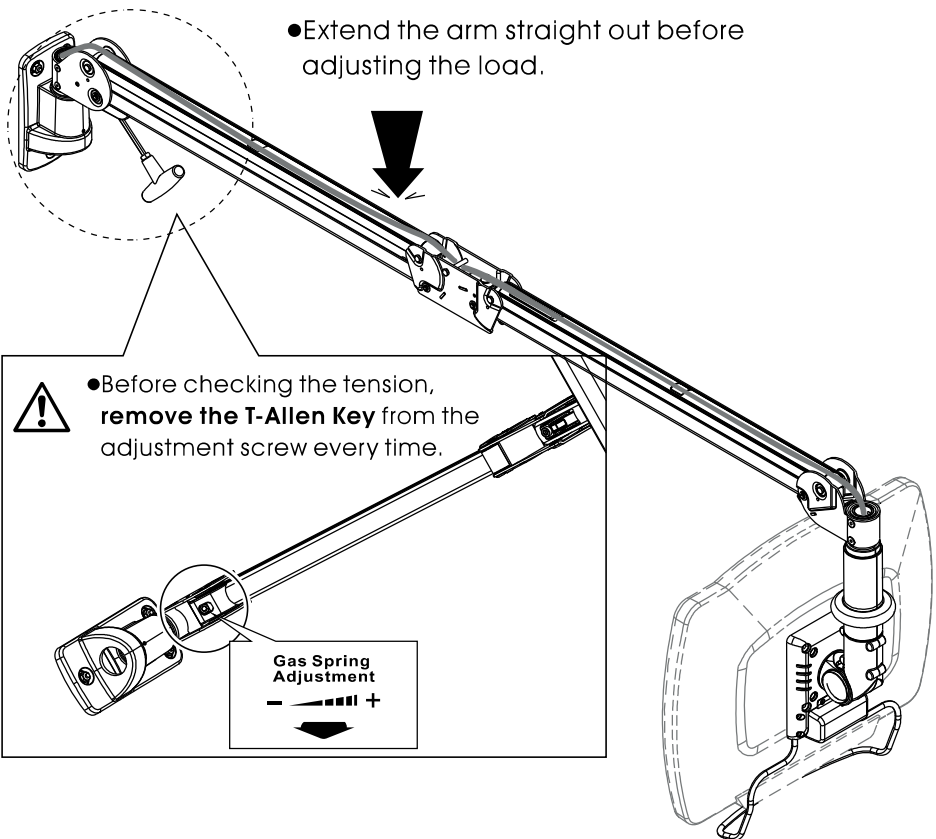
- Extend the arm straight out as shown before adjusting the loading .
- Use T-Allen Key for adjusting the tension.



6.2



●Extend the arm straight out before adjusting the load.

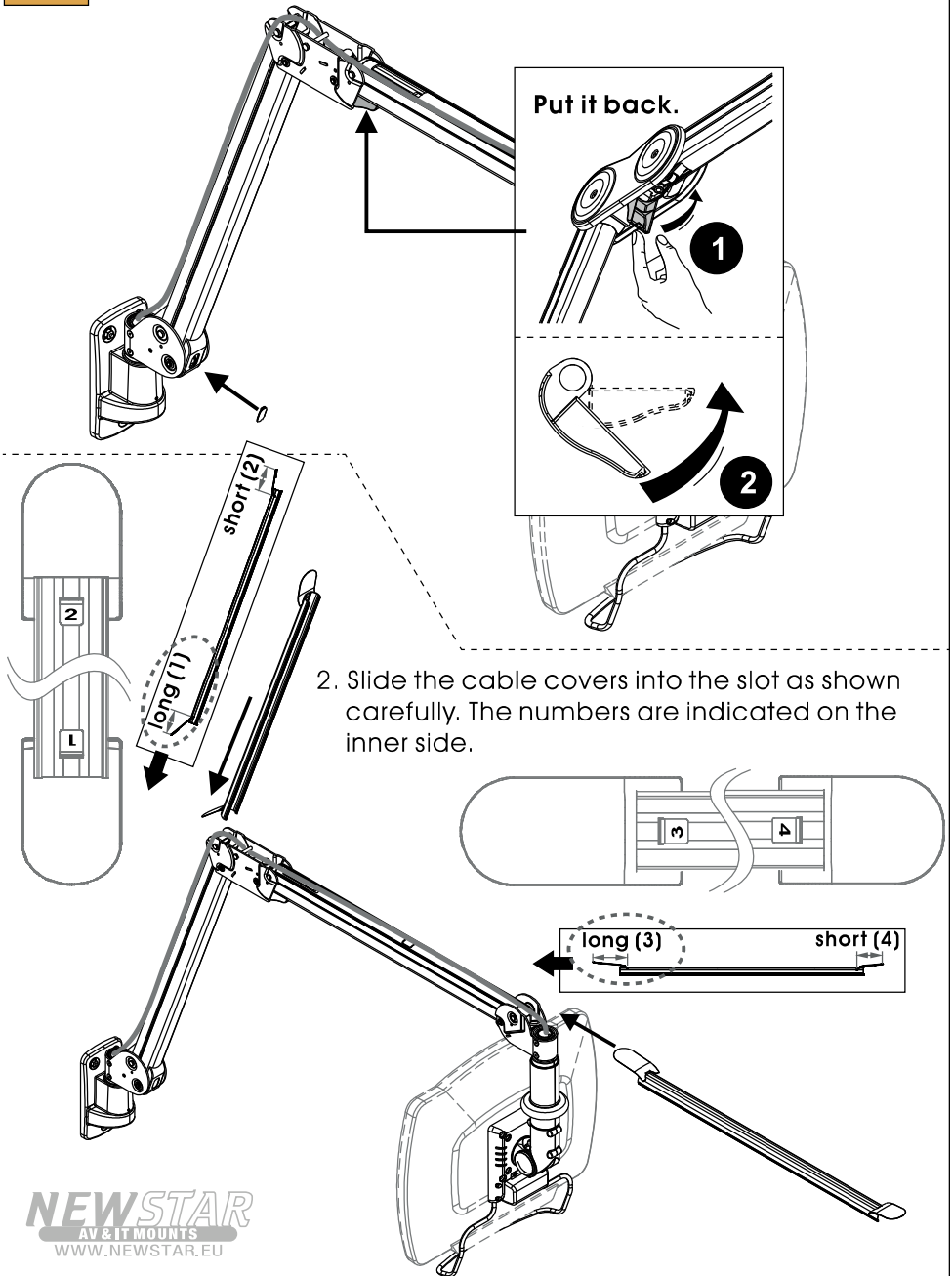




## STEP 7. Replace the arm covers

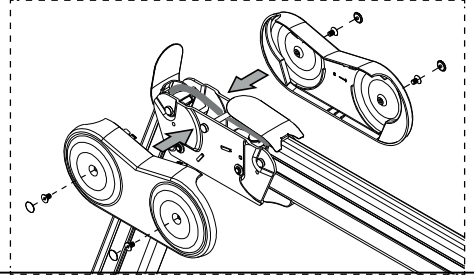
7.1

1. Follow the order as below to assemble the covers.

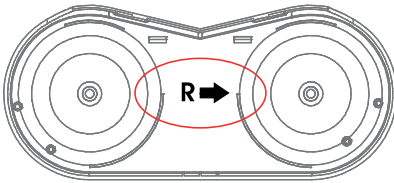


## 7.2

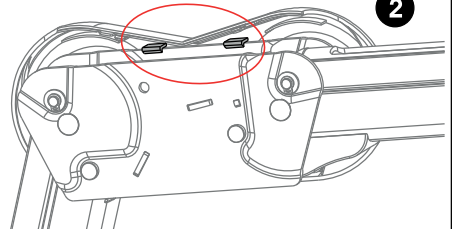
- 1 Replace the middle covers.  
The arrow inside the cover indicates the monitor direction.
- 2 Press down the cover and click it on the metal part!
- 3 Insert the white covers inside the middle cover before attaching the other piece.
- 4 Attaching the other middle cover to and press them together.  
Please make sure the cover hooks have got together before pressing.
- 5 Screwing the covers with metal together then take small screw cover to cover the screw hole.



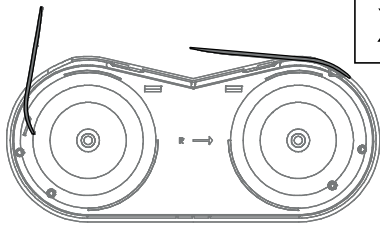
1



2



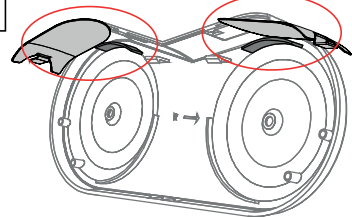
3



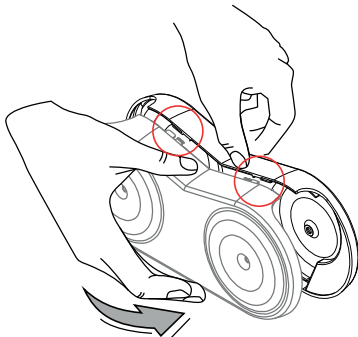
X

Please note the middle covers have to hold the white cover.

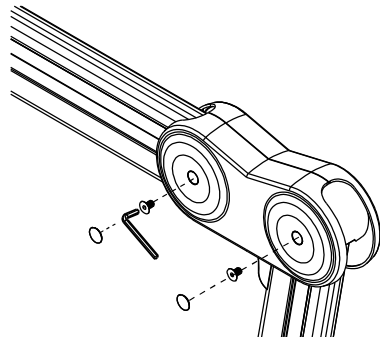
3



4

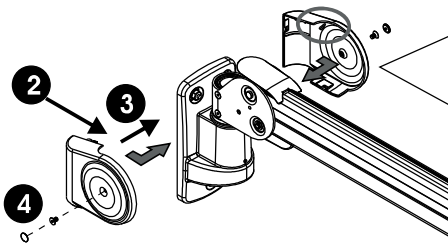
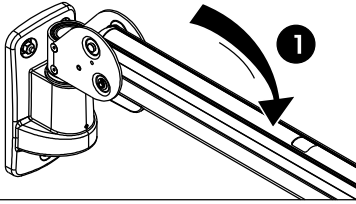


5

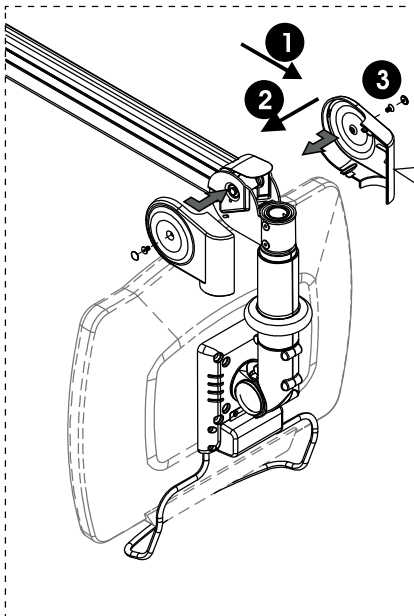
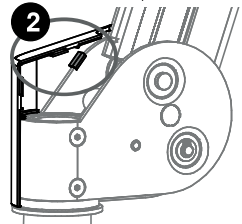


### 7.3

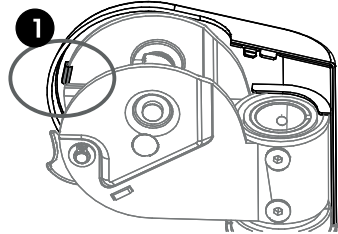
- Press the arm downward before starting following installation.



Press the base covers downwards and click them together. Screw the base covers on the metal part.

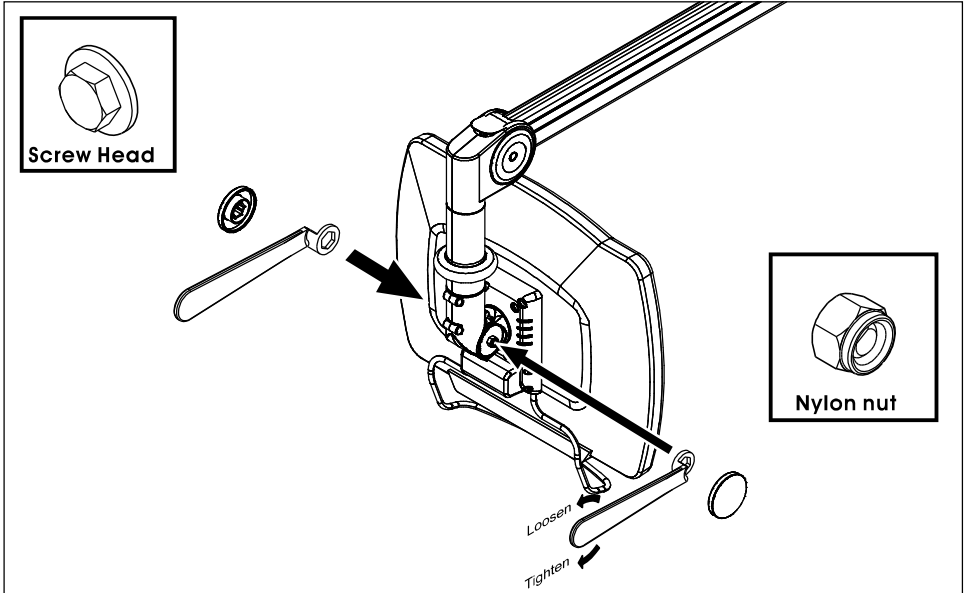


Press the base covers downwards and click them together. Screw the base covers on the metal part.



## Adjusting Universal Joint Tension

When assembling the arm with monitors of different weights, you may find that the tension of the universal joint needs to be adjusted to ease movement or to maintain the desired monitor position. If so, adjust as follows:



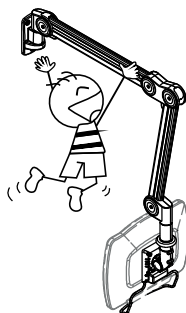
- Remove the plastic universal joint cover.
- Find the nylon nut (not the screw head) and use the provided wrench to adjust the tension . Fix the screw head by wrench at the same time when adjust.
- Use one hand to support the monitor and adjust the tension of the universal joint.
  - Clockwise : more tension
  - Counterclockwise : less tension
- When the desired tension is achieved, replace the plastic cover.

### Caution:

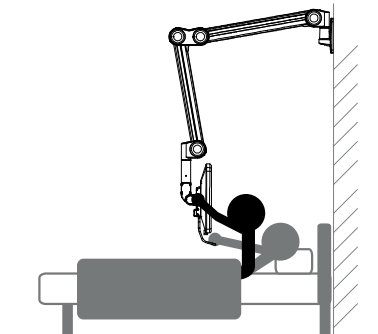
- Support the monitor during the adjustment procedure.
- Only adjust the nylon nut (not the screw head).
- Do not disassemble the universal joint .

## Safety Notes

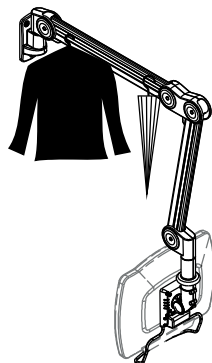
- Do not hang on the arm.



- Do not use the arm as support .



- This arm is for supporting Monitors of weights between 1 and 7kg only. Do Not use this arm for holding other products.



## EN Caution

1. To ensure safety, please read this manual carefully before installation and follow the instructions. Store this manual in a secure place for future reference.
2. The manufacturer shall not be legally responsible for any equipment damage or personal injury caused by incorrect installation or operation other than that covered in this manual.
3. The mount is designed for easy installation and removal. The manufacturer shall not be liable for damage to equipment or personal injuries arising out of human factors or acts of nature, such as earthquake or typhoon.
4. It is recommended that the mount be installed by qualified personnel only.
5. At least two persons are needed to install or remove the product to avoid hazard of falling objects.
6. \*Please carefully inspect the area where the mount is to be installed:
  - Avoid places that are subject to high temperatures, humidity or contact with water.
  - Do not install the product near air conditioning vents or areas with excess dust and fumes.
  - Only install on vertical walls and avoid slanted surfaces.
  - Do not install in places subject to any shock or vibration.
  - Do not install in places subject to direct exposure to bright light, as it may cause eye fatigue when viewing the display panel.\*
7. Maintain sufficient space around the display to ensure adequate ventilation.
8. To ensure safe installation, first check the structure of the wall, ceiling or floor and select a secure mounting location.
9. The wall, ceiling or floor should be strong enough to sustain a weight of at least four times of the display and mount combined. The mounting location must be able to withstand earthquake or other strong shock.
10. Do not modify any cables or use broken parts. Contact your dealer with any questions.
11. Tighten all screws (do not exert excessive force to avoid breaking the screw or damaging its thread).
12. Drill holes and bolts will be left in the wall, ceiling or floor once the display and bracket are removed. Stains may occur after extended use.
13. Since the manufacturer has no way to control the wall, ceiling or floor type and installation of the mount, the warranty of the product shall only cover the body of the mount. The warranty period of the product is 5 years.
14. Please consult the English language manual for any dispute on conditions.

## FR Attention

1. Afin d'assurer votre sécurité, nous vous prions d'attentivement lire le manuel avant l'installation et de suivre attentivement les instructions qui y sont incluses. Conservez ce manuel dans un endroit sûr comme référence.
2. Le fabricant ne sera tout également responsable d'aucun dommage à l'équipement ou de blessure corporelle causés par une mauvaise installation ou une utilisation de l'équipement autre que celle décrite au sein du présent manuel.
3. Le support de fixation murale n'est conçu de façon à faciliter l'installation et le déplacement. Le fabricant ne sera tout responsable d'aucun dommage à l'équipement ou de blessure corporelle découlant d'erreur humaine ou de cas de force majeure, tels un tremblement de terre ou un typhon.
4. Il est recommandé de ne permettre qu'au personnel qualifié d'installer le support.
5. L'installation ou le déplacement du produit doit être fait par un minimum de deux personnes afin d'éviter les dangers potentiels causés par une chute.
6. \*Nous vous prions d'inspecter soigneusement l'emplacement ou le support sera installé:
  - Évitez les endroits soumis à des températures élevées, à l'humidité ou au contact de l'eau.
  - N'installez pas le produit près de bouches d'air climatisé ou dans des endroits avec beaucoup de poussière ou de vapeurs toxiques.
  - N'installez que sur des murs verticaux et évitez les surfaces inclinées.
  - N'installez pas dans des endroits avec des chocs ou des vibrations.
  - N'installez pas dans des endroits exposés à des lumières fortes, cela pourrait causer la fatigue visuelle lors de l'observation du panneau d'affichage.\*
7. Laissez un espace suffisant autour de l'écran pour une ventilation adéquate.
8. Afin d'assurer la sécurité et la prévention des accidents, il est impératif de vérifier la structure du mur, du plafond ou du sol et de choisir un endroit solide avant de l'installer.
9. Le mur, le plafond ou le sol doit être assez suffisamment solide pour soutenir un poids quatre fois supérieur à celui du poids combiné de l'écran et du support ensemble. L'emplacement du montage doit pouvoir survivre à un tremblement de terre ou autre choc intense.
10. Ne modifiez aucun accessoire et n'utilisez pas de pièces cassées. Contactez votre revendeur pour toute question.
11. Resserrer toutes les vis (n'utilisez pas de force excessive pour éviter d'abîmer les vis ou le filetage).
12. Les trous de perçage et les écrous resteront dans le mur lorsque vous déplacez l'écran et le support. Des taches peuvent apparaître après une longue utilisation.
13. Puisque le fabricant ne peut en aucun cas contrôler le type de mur et la qualité de l'installation du support, la garantie du produit ne couvre que le support de fixation murale. La période de garantie du produit est de 5 ans.
14. Veuillez consulter le manuel en anglais pour tout litige sur les conditions.

## DE Vorsicht

1. Lesen Sie bitte vor der Installation das Handbuch sorgfältig durch und befolgen Sie alle Anweisungen, um die Sicherheit zu gewähren. Bewahren Sie das Handbuch auf, damit Sie jederzeit darin nachlesen können.
2. Der Hersteller haftet für seine Geräte- oder Personenschäden, die durch unsachgemäße Installation oder Bedienung, die nicht in diesem Handbuch beschrieben ist, entstanden sind.
3. Die Montage ist für eine einfache Installation und Demontage ausgelegt. Der Hersteller haftet nicht für Geräte- oder Personenschäden, die durch menschliche Faktoren oder höhere Gewalt wie z.B. Erdbeben oder Orkan entstanden sind.
4. Wir empfehlen Ihnen die Halterung nur von einem qualifizierten Techniker installieren zu lassen.
5. Die Installation oder Demontage des Produkts muss von mindestens zwei Personen ausgeführt werden, um zu vermeiden, daß Gegenstände herunterfallen.
6. \*Bitte prüfen Sie die Stelle, wo die Halterung installiert werden soll, sorgfältig:
  - Vermeiden Sie Stellen mit hohen Temperaturen oder Feuchtigkeit bzw. Stellen, die mit Wasser in Kontakt kommen können.
  - Installieren Sie das Produkt nicht in der Nähe von Klimaanlageeinrichtungen oder an einer Stelle, wo es übermäßig Staub und Rauch gibt.
  - Montieren Sie das Produkt nur an eine vertikale Wand. Vermeiden Sie schräge Oberflächen.
  - Installieren Sie das Produkt nicht an einer Stelle, an der es Erschütterungen oder Schwingungen ausgesetzt ist.
  - Installieren Sie das Produkt nicht an einer Stelle mit direkter Sonneneinstrahlung bzw. starkem Licht. Dies fördert beim Anschauen der Bildschirmanzeige das Ermüden der Augen.\*
7. Halten Sie um das Anzeigegerät ausreichend Freiraum, um eine gute Belüftung zu gewährleisten.
8. Die Sicherheit zu gewähren und Unfälle zu vermeiden, ist es notwendig, vor der Installation die Wand-, Decken- oder Bodenstruktur zu überprüfen bzw. eine sichere Stelle auszuwählen.
9. Die Wand-, Decke oder der Boden muss stark genug sein, um ein Gewicht von mindestens dem Vierfachen des Gesamtgewichts des Anzeigegerätes und des Montagesets zu tragen. Der Montageort muss in der Lage sein, Erdbeben oder sonstige starke Erschütterungen standzuhalten.
10. Modifizieren Sie keine Zubehörteile. Verwenden Sie keine beschädigten Teile. Wenden Sie sich an Ihren Händler, wenn Sie Fragen haben.
11. Ziehen Sie alle Schrauben fest. Wenden Sie nicht zu viel Kraft an, um ein Brechen der Schraube oder Beschädigen des Gewindes zu vermeiden.
12. Die Bohrungen und die Schrauben bleiben an der Wand-, Decke oder am Boden sichtbar, wenn das Anzeigegerät und das Montageset entfernt wird. Nach längerem Gebrauch kann ein Fleck bleiben.
13. Der Hersteller hat keinen Einfluss auf die Wand-, Decken- oder Bodenart und die Installation der Halterung. Deshalb deckt die Garantie des Produkts nicht die Halterung selbst ab. Die Garantie des Produkts gilt für 5 Jahre.
14. Bitte ziehen Sie die englische Version des Handbuchs zu Rate, falls es Unstimmigkeiten hinsichtlich der Bedingungen gibt.

## ES Precaución

1. Para garantizar su seguridad, lea este manual cuidadosamente antes de la instalación, y siga las instrucciones. Conserve este manual en un lugar seguro para futuras consultas.
2. El fabricante no será legalmente responsable de ningún daño producido por el equipo o lesiones personales causadas por una instalación o uso no mencionado explícitamente en este manual.
3. El soporte está diseñado para una instalación y extracción. El fabricante no será responsable por daños al equipo o lesiones personales que surjan de factores humanos o actos de la naturaleza, como terremotos o tifones.
4. Se recomienda que el soporte sea instalado solo por personal cualificado.
5. Para evitar que se caiga el producto, la instalación o retirada deberá ser realizada por al menos dos personas.
6. \*Inspeccione detenidamente el área donde se instalará el soporte:
  - Evite los lugares sometidos a altas temperaturas, humedad o contacto con el agua.
  - No instale el producto cerca de ventiladores de aire acondicionado o áreas con exceso de polvo y humos.
  - Instalar solo en paredes verticales y evitar superficies inclinadas.
  - No instale en lugares sujetos a golpes o vibraciones.
  - No instale en lugares sometidos a la exposición directa a la luz brillante, ya que puede causar fatiga ocular al ver el panel de la pantalla.\*
7. Mantenga suficiente espacio alrededor de la pantalla para asegurar una ventilación adecuada.
8. Para garantizar una instalación segura, primero verifique la estructura de la pared, el techo o el piso y seleccione una ubicación de montaje segura.
9. La pared, el techo o el piso deben ser lo suficientemente fuertes para sostener un peso de al menos cuatro veces la pantalla y el montaje combinados. La ubicación de montaje debe ser capaz de resistir un terremoto o otro golpe fuerte.
10. No modifique ningún accesorio ni utilice componentes deteriorados. Póngase en contacto con su distribuidor si tiene alguna duda.
11. Apriete todos los tornillos (no ejerza demasiada fuerza para evitar que se roma el tornillo o se dañe la rosca).
12. Mantenga los orificios y los pernos en la pared, techo o suelo después de retirar la pantalla y el soporte. Podrían quedar manchas después de un uso prolongado.
13. Dado que el fabricante no puede controlar el tipo de pared, techo o piso y la instalación del soporte, la garantía del producto solo cubrirá el cuerpo del soporte. El periodo de garantía del producto es de 5 años.
14. Consulte el manual en inglés si tiene alguna duda acerca de las condiciones.

## IT Attenzione

1. Per garantire la sicurezza, leggere attentamente questo manuale prima di effettuare l'installazione e seguire le istruzioni qui contenute. Conservare questo manuale in un luogo sicuro per riferimenti futuri.
2. Il produttore non deve essere ritenuto responsabile legalmente per qualsiasi danno all'apparecchio o lesione alla persona provocati da installazione non corretta o funzionamento diverso da quello riportato nei seguenti manuali.
3. Il montaggio a parete è stato ideato per una facile installazione e rimozione. Il produttore non sarà responsabile per danni all'apparecchio o per lesioni alla persona derivanti da fattori umani o eventi naturali, come tifoni o terremoti.
4. Si consiglia di far installare la staffa per il montaggio solo da personale qualificato.
5. Per installare o rimuovere il prodotto sono necessarie almeno due persone per evitare rischi o la caduta di oggetti.
6. \*Controllare attentamente l'area dove va effettuato il montaggio:
  - Evitare luoghi soggetti a temperature alte, umidità o contatto con fucina.
  - Non installare il prodotto accanto a uscite di ventilazione di aria condizionata o aree con polvere o fumi eccessivi.
  - Installare solo su pareti verticali, evitare superfici inclinate.
  - Non installare in luoghi soggetti a urti o vibrazioni.
  - Non installare in luoghi soggetti a esposizione diretta alla luce, in quanto si potrebbe provocare fastidiosamente agli occhi durante la visualizzazione del pannello.\*
7. Mantenev spazio sufficiente intorno al monitor per garantire una buona ventilazione.
8. Per garantire la sicurezza e per prevenire incidenti, è necessario, prima di eseguire l'installazione, controllare la struttura della parete, soffitto o pavimento e scegliere un posizionamento sicuro.
9. La parete, soffitto o pavimento deve essere abbastanza forte per sostenere almeno quattro volte il peso del monitor e della staffa per il montaggio insieme. Il punto di montaggio deve essere in grado di sopportare terremoti o urti forti.
10. Non modificare gli accessori o utilizzare parti rotte. Contattare il rivenditore per qualsiasi domanda.
11. Stringere tutte le viti (non applicare forza eccessiva per evitare la rottura delle viti o il danneggiamento della filettatura).
12. I fori e i bulloni possono essere lasciati sulla parete, soffitto o pavimento una volta rimossi la staffa e il monitor. Dopo un periodo prolungato di utilizzo, possono formarsi delle macchie.
13. Dato che il produttore non ha alcun modo di controllare il tipo di parete, soffitto o pavimento e l'installazione, la garanzia del prodotto coprirà esclusivamente il corpo della struttura per il montaggio. Il periodo di garanzia del prodotto è di 5 anni.
14. Consultare il manual in lingua inglese per eventuali controversie sulle condizioni.