



Scan for full manual

PT-571, PT-572+ Quick Start Guide

This guide helps you install and use your PT-571, PT-572+ for the first time.

Go to www.kramerav.com/downloads/PT-571 to download the latest user manual and check if firmware upgrades are available.

Step 1: Check what's in the box

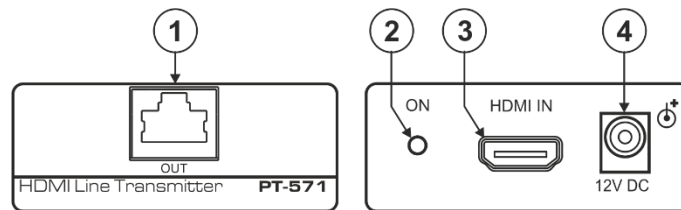
- ✓ PT-571 HDMI Line Transmitter or PT-572+ HDMI Line Receiver
- ✓ 1 Bracket set
 - ✓ 1 power adapter (12V DC input)
- ✓ 4 Rubber feet
 - ✓ 1 Quick start guide

IMPORTANT NOTICE!

We highly recommend using only Kramer UNIKAT cables with these products. If using 3rd party shielded CAT-6A cables, both ends of the shield must be soldered to the connectors for the products to function properly. Do not use any jumpers, unshielded wall plates or mid-span cable connections. These extenders are not compatible with HDBaseT technologies. Prior to signal extension, ensure that the extension line cable is lying straight and not coiled.

Step 2: Get to know your PT-571, PT-572+

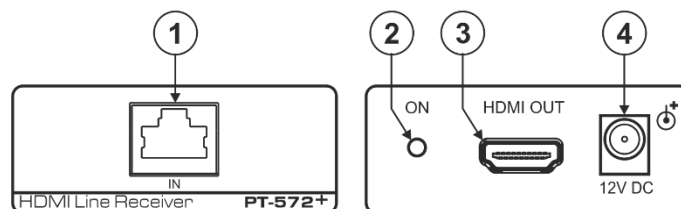
PT-571 HDMI Line Transmitter



#	Feature	Function
1	OUT RJ-45 Connector	Connect to the IN RJ-45 connector on the PT-572+
2	ON LED	Lights to indicate the following: Red—only the power is connected Orange—either the input or the output is connected Green—both the input and the output are connected If no input is connected the unit invokes the power save mode automatically turning off the power
3	HDMI™ IN Connector	Connect to the HDMI source
4	12V DC	+12V DC connector for powering the unit

The terms HDMI, HDMI High-Definition Multimedia Interface, and the HDMI Logo are trademarks or registered trademarks of HDMI Licensing Administrator, Inc.

PT-572+ HDMI Line Receiver

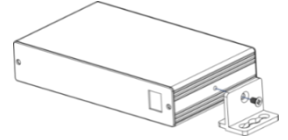


#	Feature	Function
1	IN RJ-45 Connector	Connect to the OUT RJ-45 connector on the PT-571
2	ON LED	Lights to indicate the following: Red—only the power is connected Orange—either the input or the output is connected Green—both the input and the output are connected
3	HDMI OUT Connector	Connect to the HDMI acceptor
4	12V DC	+12V DC connector for powering the unit

Step 3: Mount PT-571, PT-572+

Install PT-571, PT-572+ using one of the following methods:

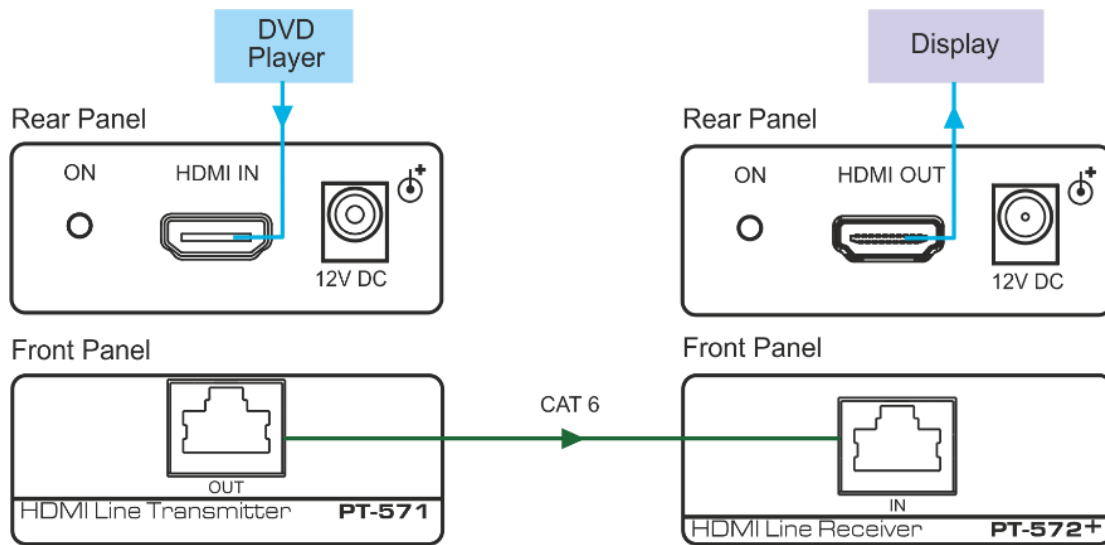
- Attach the rubber feet and place the unit on a flat surface.
- Fasten a bracket (included) on each side of the unit and attach it to a flat surface (see www.kramerav.com/downloads/PT-571).
- Mount the unit in a rack using the recommended rack adapter (see www.kramerav.com/product/PT-571).



- Ensure that the environment (e.g., maximum ambient temperature & air flow) is compatible for the device.
- Avoid uneven mechanical loading.
- Appropriate consideration of equipment nameplate ratings should be used for avoiding overloading of the circuits.
- Reliable earthing of rack-mounted equipment should be maintained.
- Maximum mounting height for the device is 2 meters.

Step 4: Connect inputs and outputs

Always switch OFF the power on each device before connecting it to your PT-571, PT-572+.



For optimal performance, use the recommended Kramer cables available at www.kramerav.com/product/PT-571.

Using third-party cables may cause damage!

Step 5: Connect power

Connect the power cord to PT-571, PT-572+ and plug it into the mains electricity.

Safety Instructions (See www.kramerav.com for updated safety information)

Caution:

- For products with relay terminals and GPIO ports, please refer to the permitted rating for an external connection, located next to the terminal or in the User Manual.
- There are no operator serviceable parts inside the unit.

Warning:

- Use only the power cord that is supplied with the unit.
- Disconnect the power and unplug the unit from the wall before installing.