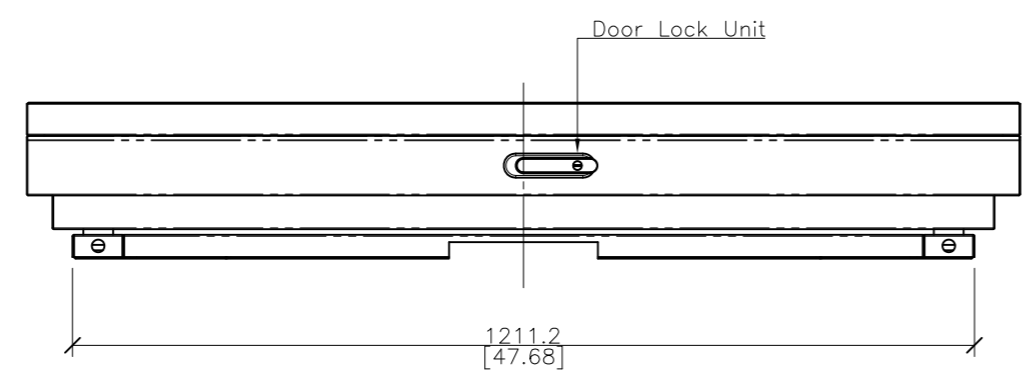
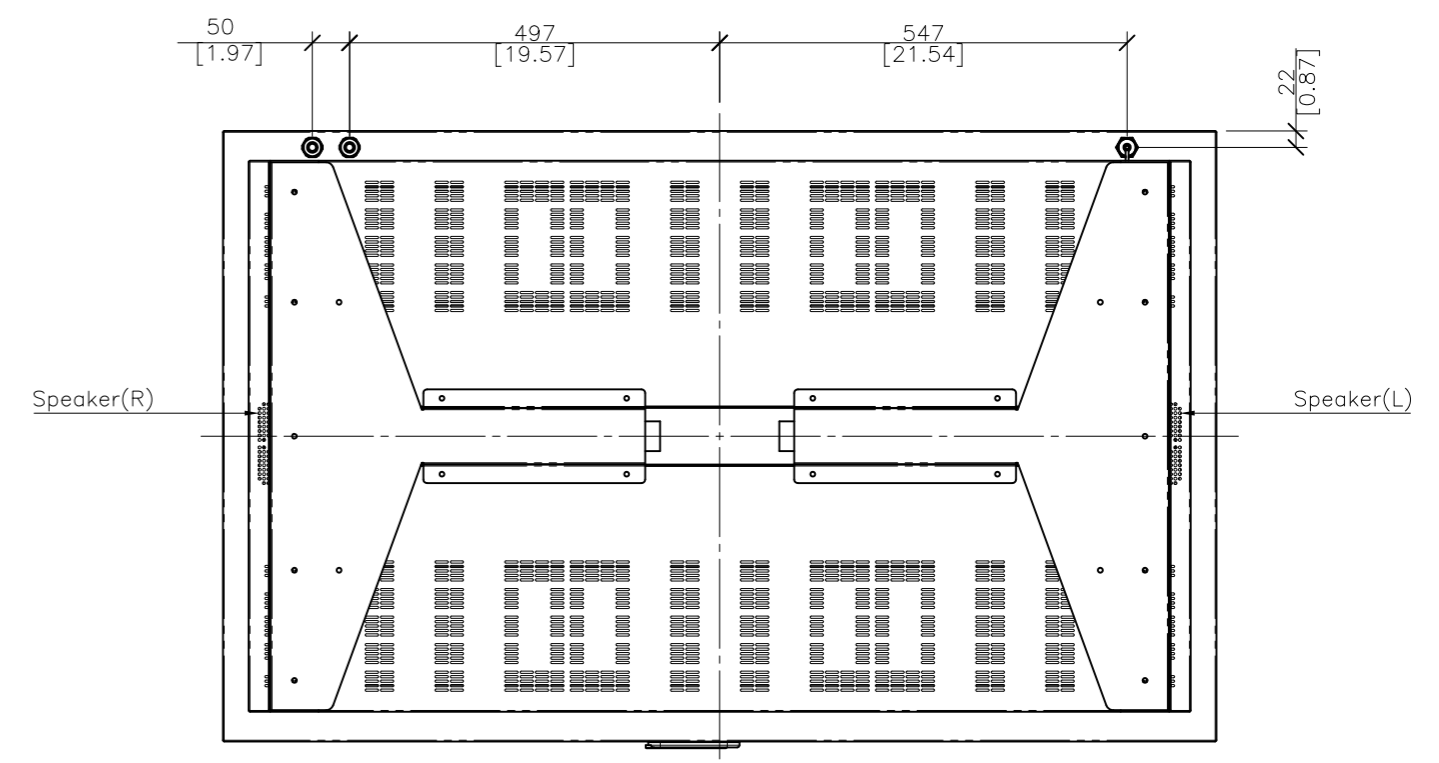
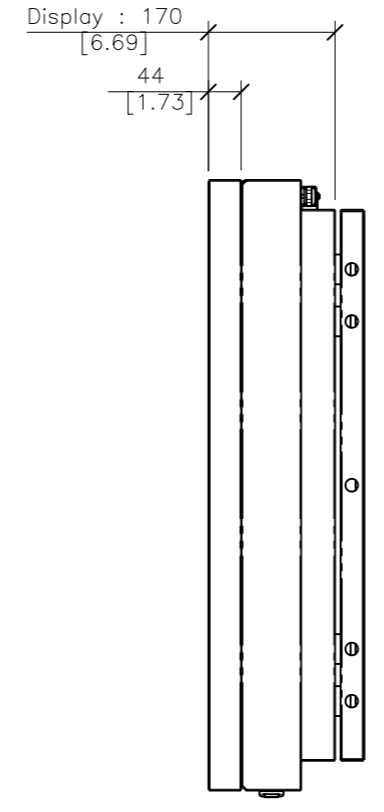
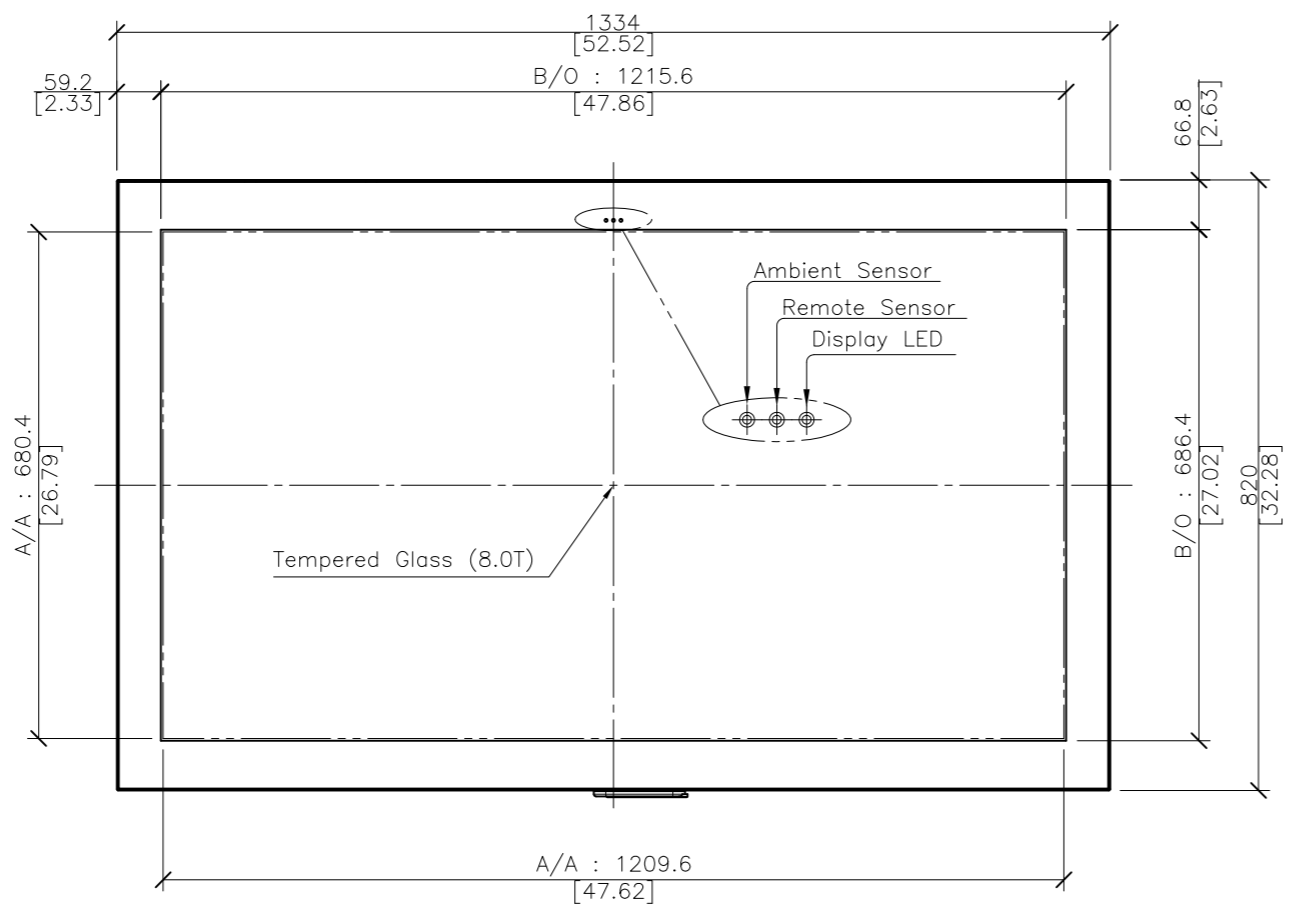
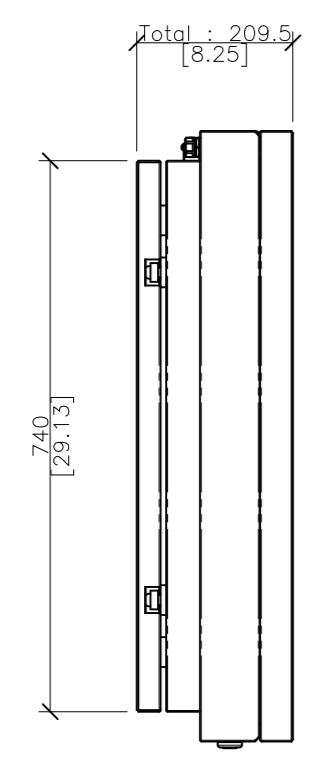
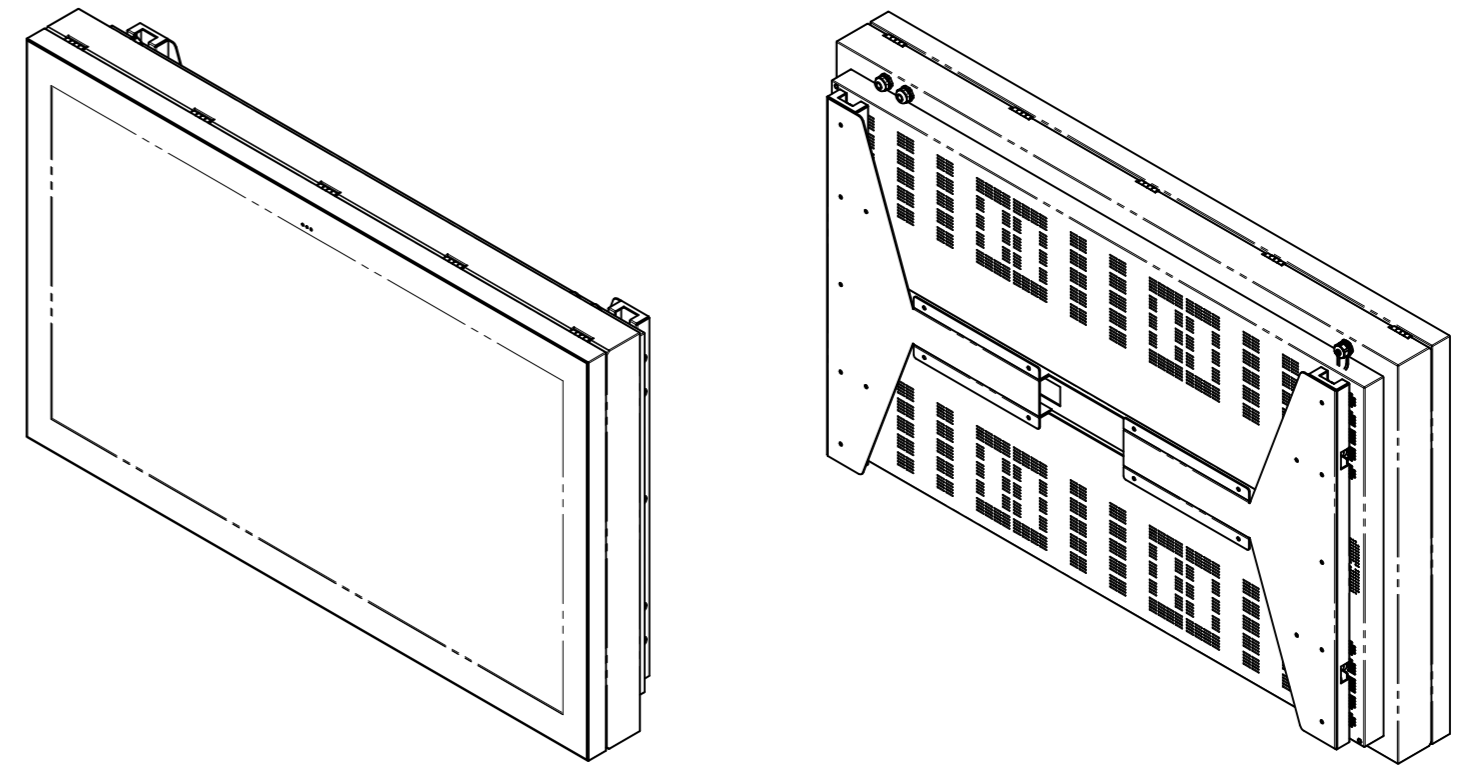
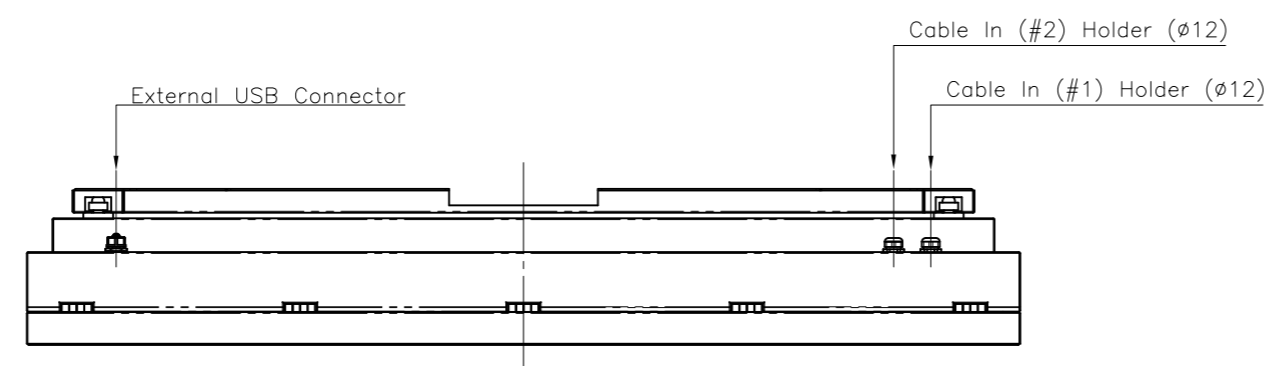


REV. NO		REV. HISTORY	LTR	ECO NO	DATE	APPR'L
DWG	PART					
00	00	INITIAL RELEASE	-	-	-	-



NOTES

1. LCD Panel : 55"
2. Material : E.G.I
3. Color : BLACK
4. Tempered Glass : 8.0T (Single AR / Tempered Glass)

DRAWN	PLANNED	CHECKED	APPROVED	UNLESS OTHERWISE SPECIFIED ALL DIMENSION ARE IN MILLIMETERS	ANGLE 3rd.	TITLE : Q557MS EXTERIOR VIEW	UNIT : mm
S.W.SEO	S.H.JANG	S.H.JANG	Y.T.KIM		SCALE : 1/10		TYPE : ASSY
'16.03.16	'16.03.16	'16.03.16	'16.03.16	TOLERANCES ARE: LINEAR : X ± 0.20 X ± 0.1 XX ± 0.01 ANGLES : ± 0.1° RADI UNLESS NOTED : R 0.3		DWG REV : 00	SIZE : A2
HYUNDAI IT CO., LTD.				MODEL NAME (CODE): Q557MS	CUSTOMER: HDT	SHT NO : 1/1	DWG(PART) NO. Q557MS_001
				FILE NAME : LAYOUT_Q557M_160316.DWG			

This drawing is the property of HYUNDAI IT CO.,LTD. and should not be disclosed to any third party without prior permission of HYUNDAI IT CO.,LTD..