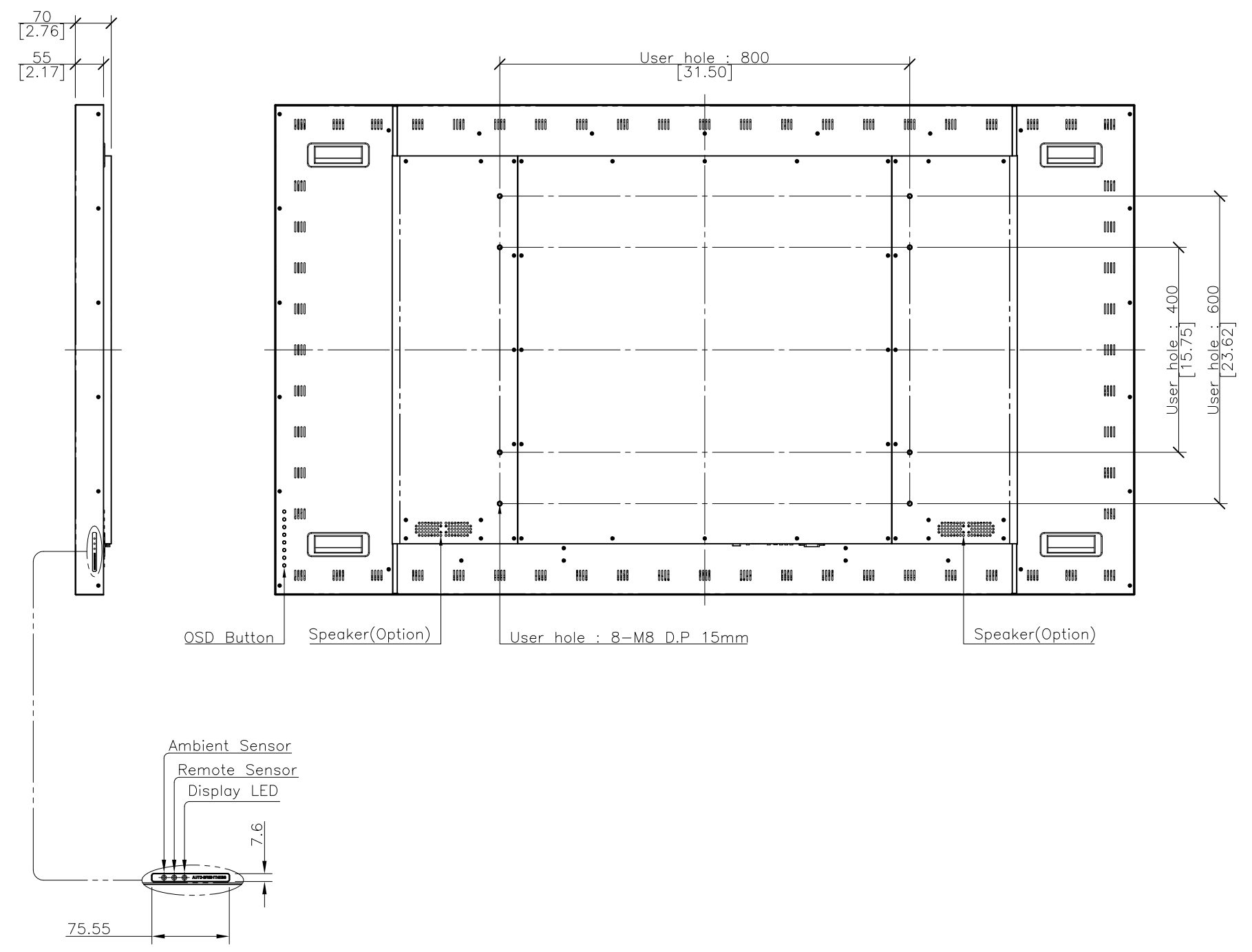
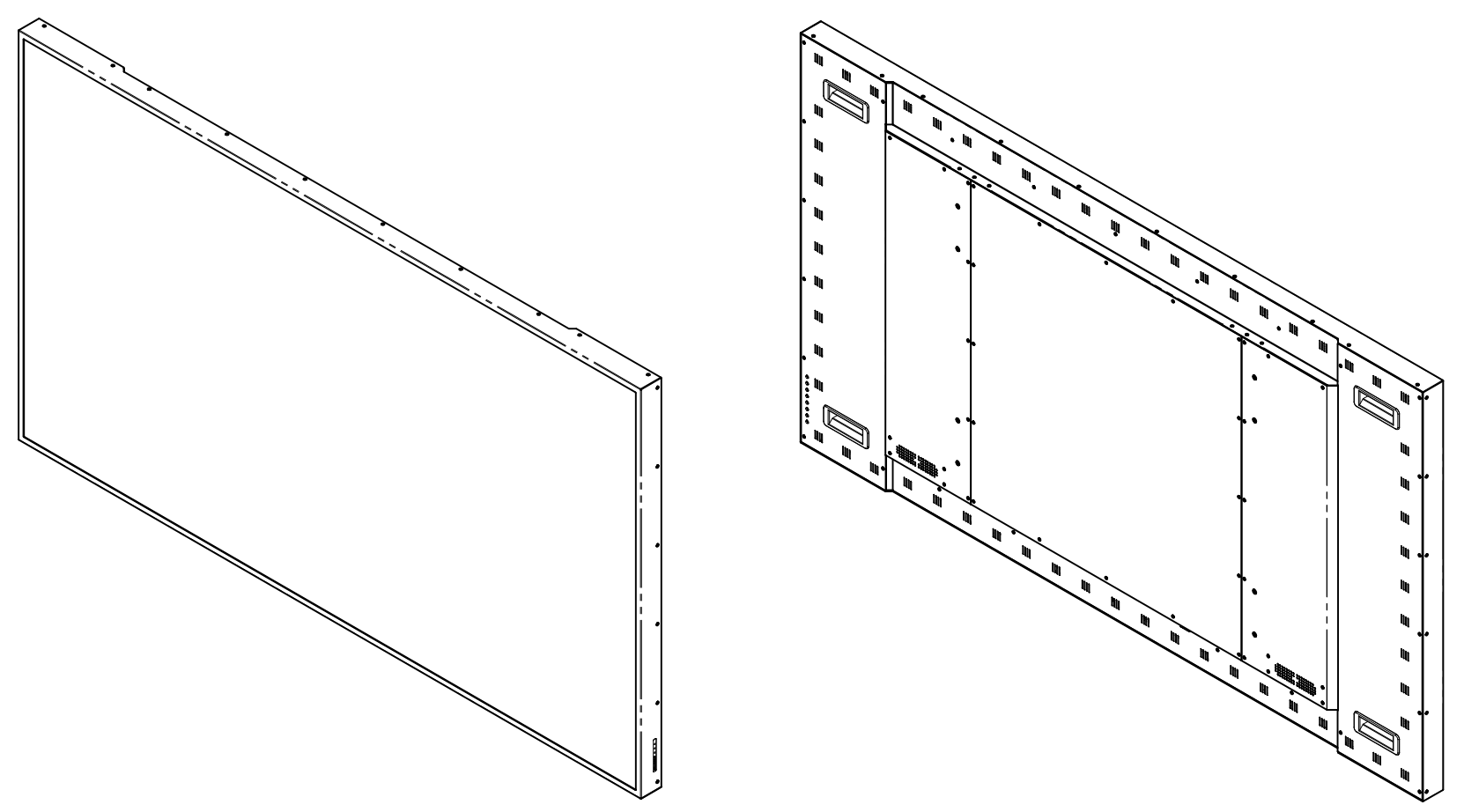
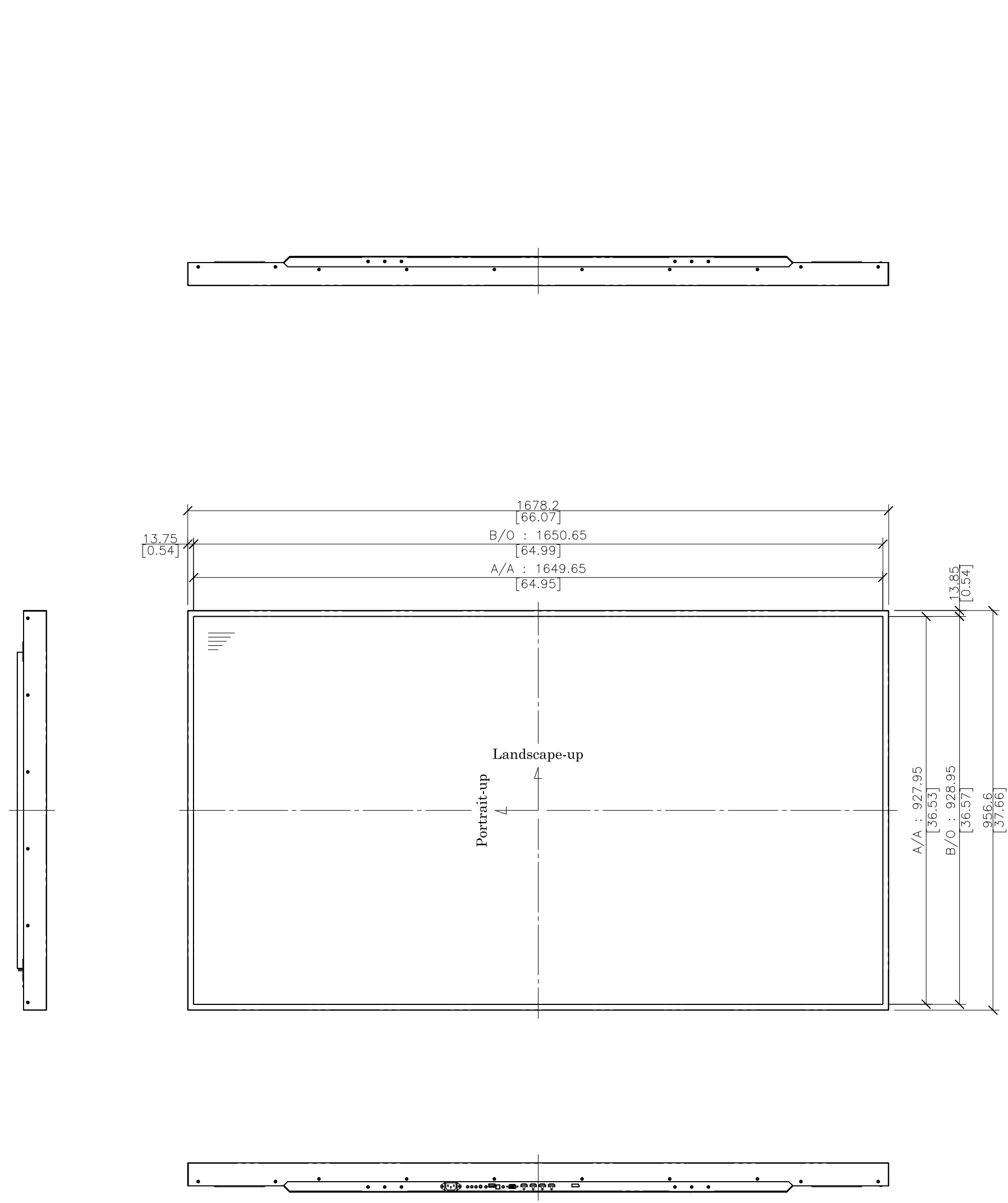


| REV. NO | | REV. HISTORY | LTR | ECO NO | DATE | APPR'L |
|---------|------|-----------------|-----|--------|------|--------|
| DWG | PART | | | | | |
| 00 | 00 | INITIAL RELEASE | - | - | - | - |



- NOTES.**
1. LCD Panel : 75" LED Back Light Panel
 2. Tempered Glass : 5.0t
 3. Material : E.G.I
 4. Color : Black

| DRAWN | PLANNED | CHECKED | APPROVED | UNLESS OTHERWISE SPECIFIED ALL DIMENSION ARE IN MILLIMETERS | ANGLE 3rd. | TITLE | UNIT : mm |
|----------------------------|-----------|-----------|-----------|---|------------------|----------------------------------|------------------------------|
| S.W.SEO | S.H.JANG | S.H.JANG | Y.T.KIM | TOLERANCES ARE: LINEAR : X ± 0.20 X ± 0.1 XX ± 0.01 ANGLES : ± 0.1° RADIH UNLESS NOTED : R 0.3 | SCALE : 1/10 | D75XMNG EXTERIOR VIEW | TYPE : ASSY |
| '17.06.15 | '17.06.15 | '17.06.15 | '17.06.15 | MODEL NAME (CODE): D75XMNG | CUSTOMER: HDT | DWG REV : 00 | DWG(PART) NO. D75XMNG_001 |
| HYUNDAI IT CO.,LTD. | | | | FILE NAME : LAYOUT_D75XMN_170615.DWG | SHT NO : 1/1 | SIZE : A2 | |

This drawing is the property of HYUNDAI IT CO.,LTD. and should not be disclosed to any third party without prior permission of HYUNDAI IT CO.,LTD..