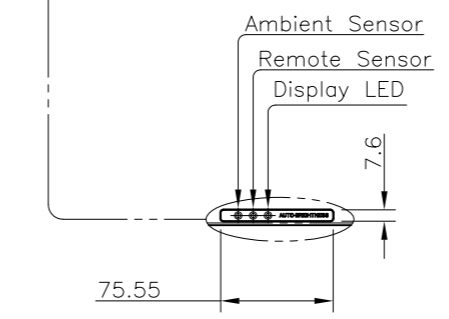
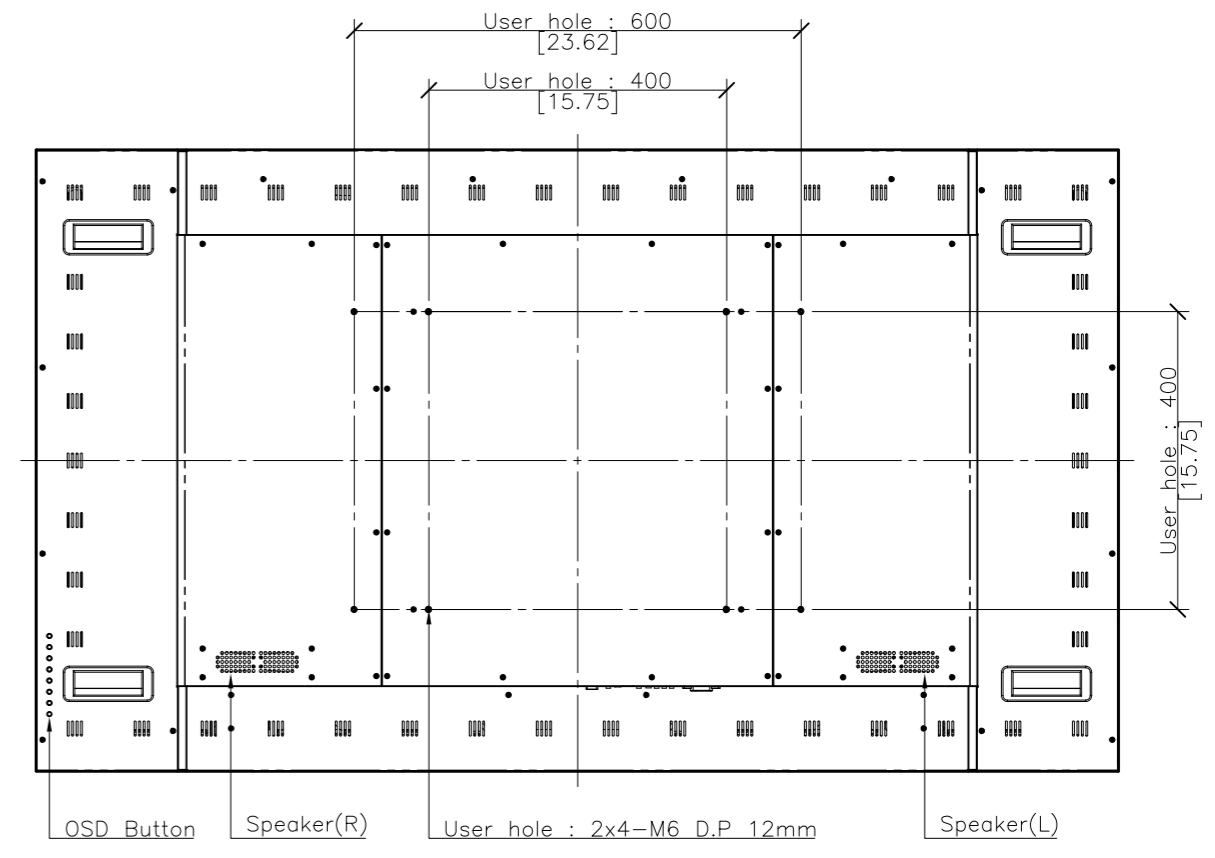
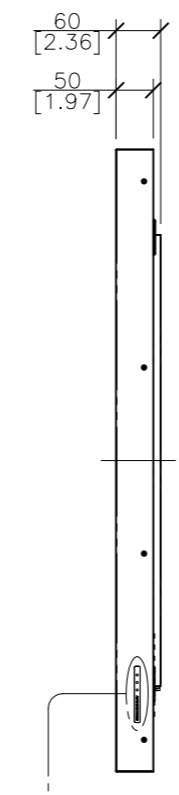
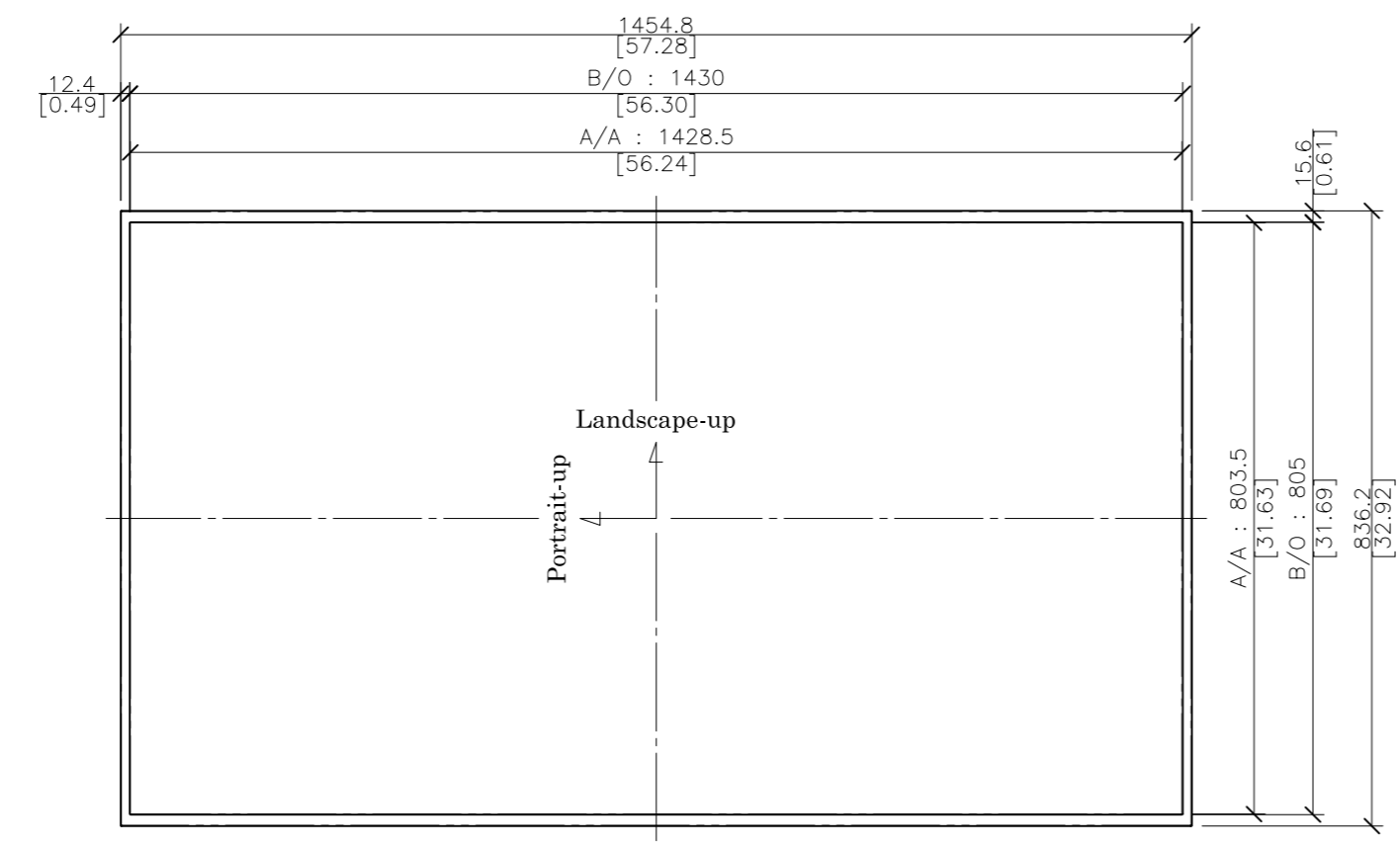
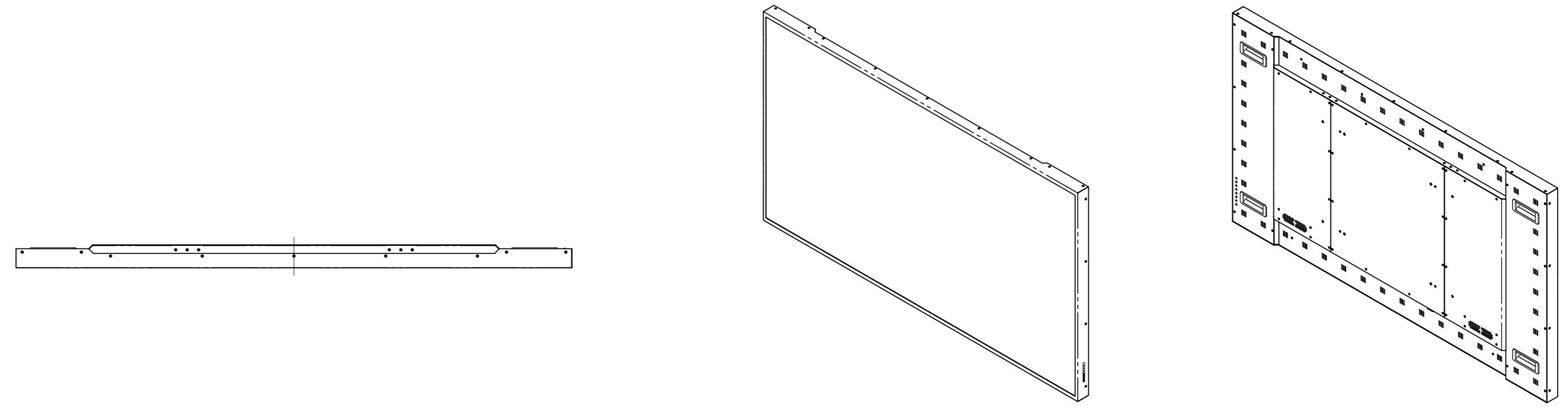


REV. NO		REV. HISTORY	LTR	ECO NO	DATE	APPR'L
DWG	PART					
00	00	INITIAL RELEASE	-	-	-	-



- NOTES**
1. LCD Panel : 65"
  2. Material : E.G.I
  3. Color : Black

DRAWN	PLANNED	CHECKED	APPROVED	UNLESS OTHERWISE SPECIFIED ALL DIMENSION ARE IN MILLIMETERS	ANGLE 3rd.	TITLE	UNIT
S.W.SEO	S.H.JANG	S.H.JANG	Y.T.KIM	TOLERANCES ARE: LINEAR : X ± 0.20 X ± 0.1 XX ± 0.01 ANGLES : ± 0.1° RADI UNLESS NOTED : R 0.3	SCALE : 1/10	<b>D65XMN EXTERIOR VIEW</b>	mm
'17.06.13	'17.06.13	'17.06.13	'17.06.13			<b>DWG(PART) NO. D65XMN_001</b>	PART
<b>HYUNDAI IT CO.,LTD.</b>				MODEL NAME (CODE): D65XMN	CUSTOMER: HDT	DWG REV : 00	SIZE : A2
				FILE NAME : LAYOUT_D65XMN_170613.DWG		SHT NO : 1/1	

This drawing is the property of HYUNDAI IT CO.,LTD. and should not be disclosed to any third party without prior permission of HYUNDAI IT CO.,LTD..