

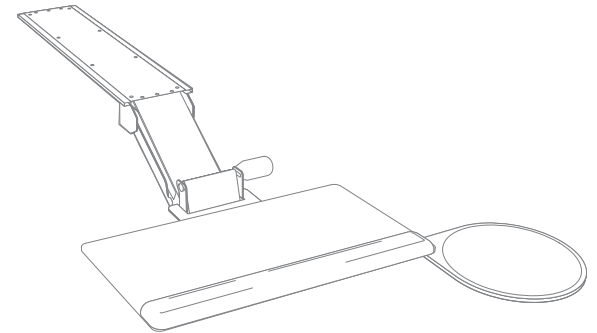
PACKAGE CONTENTS

- Keyboard mechanism (1)
- Track (1)
- Keyboard platform (1)
- Rubber stopper (1)
- Front bumper (1)
- 5/8" round head screws (12)
- 5/8" flat head screws (2)
- 1/2" flat head screws (2)
- Hex nuts (4)
- Keyboard cord clips (3)
- Mouse cord clip (1)



www.humanscale.com

Keyboard System Installation Instructions



*For use with all Humanscale
Keyboard Systems.*

HSKB0709



