

VWPOP95-L

VIDEO WALL POP-OUT MOUNT WITH QUICK RELEASE
FOR 70"-95" SCREENS, LANDSCAPE

VWPOP95-L is a professional pop-out mount designed to build a video wall in a comprehensive manner. Independent 8-point adjustment allows precise alignment of screens without the use of tools. The open design allows full access to cabling, and the included ties are used to hide the cables easily and aesthetically. Special retractable system for easy access for service purposes. VWPOP95-L is equipped with a lock to prevent uncontrolled structure opening. This mount ensures optimum comfort when installing a video wall.

FEATURES

- Independent 8-point adjustment allows precise alignment of screens without the use of tools
- The retractable mechanism provides convenient service access to screens installed in recesses and places difficult to access for service purposes
- 20° tilt of the screen with the mount open increases access to the back of the screen from the bottom
- The retractable mechanism can be secured with a lock screw to prevent the screen from being accidentally extended
- The open design of the product provides full access to cabling, and the supplied ties facilitate cable management
- Mounting holes and carefully selected spacers eliminate the need for calculations on site
- Adjustment of the retractable mechanism spring enables proper adjustment for screens of different masses to obtain safe and controlled extension

PRODUCT SPECIFICATIONS

Short index	VWPOP95-L
Category	Video Wall Mounts
Product group	Video Wall & Menu Board Mounts
Colour	Black
Warranty	Limited 5-years
Minimum screen size	70"
Maximum screen size	95"
Maximum load	130 kg
Forward tilting	+20°
VESA Mounting Compatibility	100x100 up to 800x600



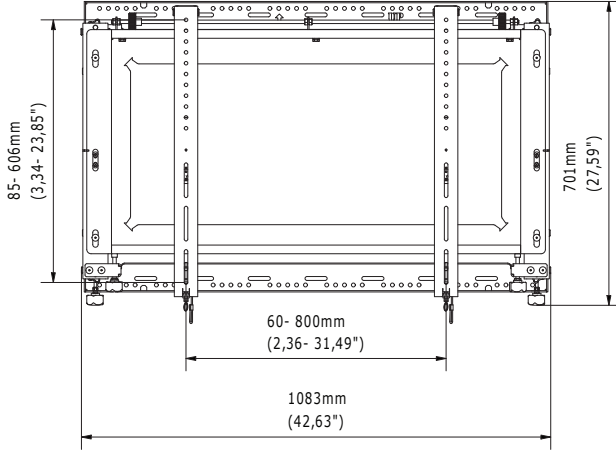
Securing the screen against falling with screws



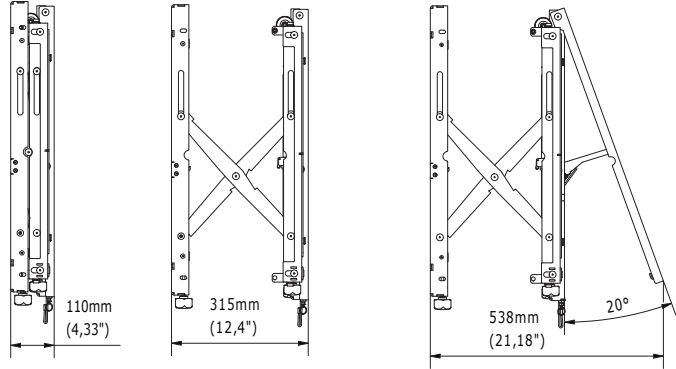
Minimalistic design and functionality



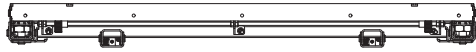
Wide range of VESA mounting standards



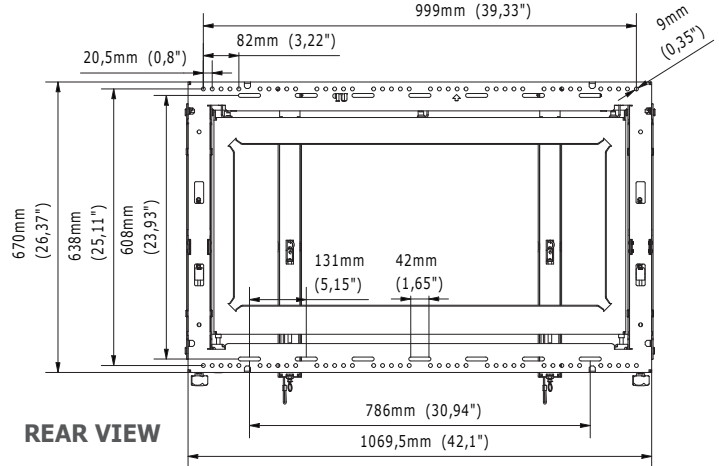
FRONT VIEW



SIDE VIEW



TOP VIEW



REAR VIEW

TECHNICAL SPECIFICATIONS

Product dimensions	W: 1083 mm D: 110 mm H: 701 mm (W:42,64" D:4,33" H:27,60")
Product weight	32,5 kg (72 lb)
Max. distance from the surface	315 mm (12,40")
Min. distance from the surface	110 mm (4,33")
Max. mounting pattern	800 mm x 606 mm
Min. mounting pattern	60 mm x 85 mm

LOGISTICS DATA

SAP INDEX	EAN CODE	COLOUR	PACKAGE DIMENSIONS	PACKAGE WEIGHT
WUSC-VWPOP95-L	5908252968176	BLACK	1125 x 790 x 120 mm 48,23 x 31,10 x 4,72"	36 kg 79 lb

HS Code (Harmonized System): 732690, HTS Code (Harmonized Tariff Schedule): 7326909890, Country of Origin: Poland

ACCESSORIES AND RELATED PRODUCTS



VVPOP95-P



VVFS95-L



VVFX95-L



VWPOP65-L

2021 - EDBAK Sp. z o.o. All rights reserved.
The information included in the specifications reflects the current technical specifications at the time of printing. We reserve the right to modify technical or physical specifications without prior notice. EDBAK name and EDBAK logo are registered trademarks of EDBAK Sp. z o.o. All EDBAK images and symbols are sole property of EDBAK Sp. z o.o. Edbak shall not be held liable for any loss or damage caused by incorrect installation or mounting. Copying this specification in whole or in part is only allowed after obtaining written consent from EDBAK Sp. z o.o.
VVPOP95-L-210601-EN