

**SAFETY WARNING!**

**INSTRUCTIONS MUST BE FOLLOWED PRECISELY FOR SAFE AND STABLE INSTALLATION**

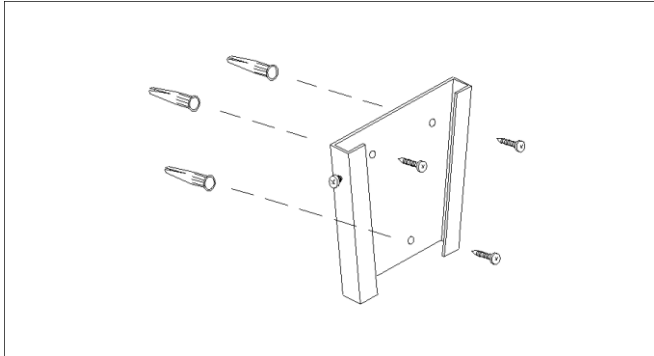
1. Before installation read carefully this instruction manual and instruction manual of your LCD screen for proper installation.
2. Installation of this unit should be carried out by at least two qualified technicians.

**EDBAK is not liable for any damage or injury caused by mishandling or improper installation.**

List of components:

- GD03 LCD/TFT Wall Mount – 1 pcs
- M4x10 Screw – 4 pcs.
- M4x20 Screw – 4 pcs
- Allen Key No. 3 – 1 pcs.
- Installation Manual – 1 pcs

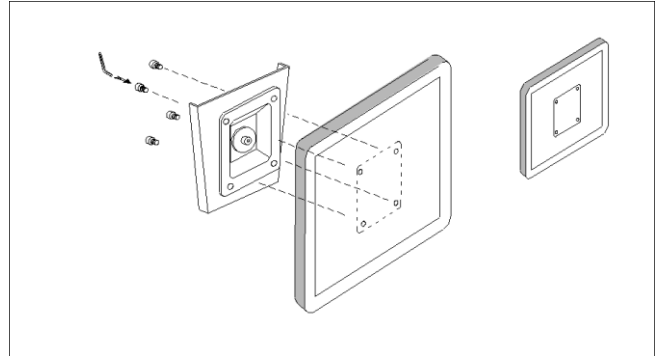
**Drawing 1**



**Attaching swing arm to wall**

Mount swing arm in desired position using screw/bolts (not supplied) suitable to construction of wall. (If you have any doubt please consult a qualified builder). Mount screws/bolts through all 3 holes. Now please go on to drawing number 2a or 2b.

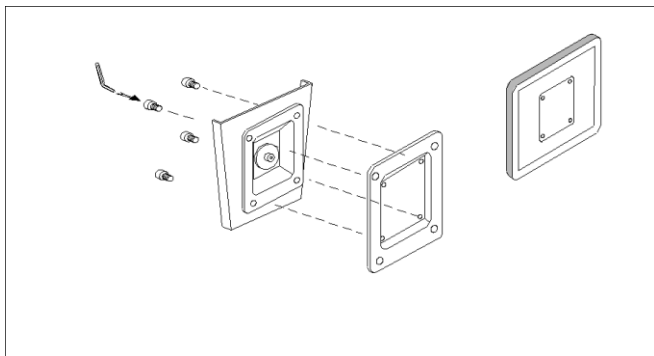
**Drawing 2a**



**Attaching the swing arm to the back of the LCD/TFT screen**

If you want to mount a screen that is VESA 75x75 mm compliant use larger of supplied screws (M4x20). Tighten the screws with the supplied Allen key.

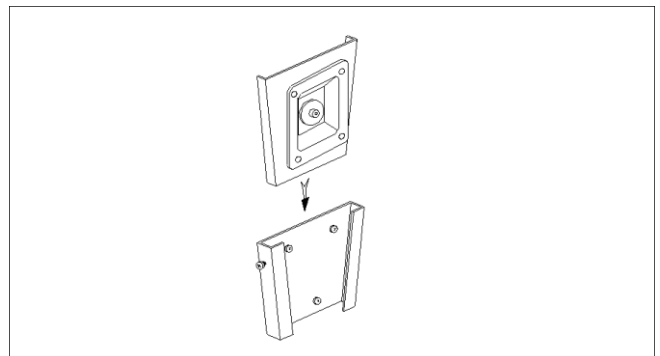
**Drawing 2b (Part 1/2)**



**Assembling VESA 100x100 mm adapter plate**

If you want to mount a screen that is VESA 100x100 mm compliant, you have to assemble the VESA 100x100 mm adapter plate to VESA 75x75mm front plate using smaller of supplied screws (M4x10). Tighten the screws with the supplied Allen key.

**Drawing 2b (Part 2/2)**



**Attaching the swing arm to the back of the LCD/TFT screen**

Using larger of supplied screws (M4x20) attach swing arm to the back of the screen. Tighten the screws with the supplied Allen key.

**EDBAK Sp. z o.o.**

Piotrowice 186  
23-107 Strzyżewice, PL  
+48 81 562 81 19

www.edbak.com info@edbak.com

