

34.482

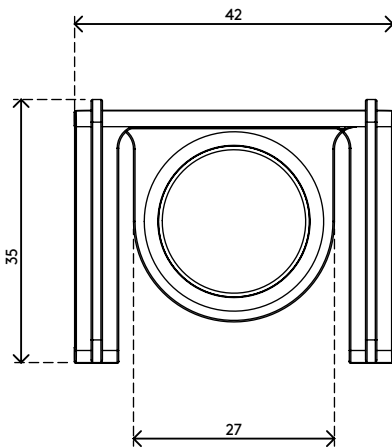
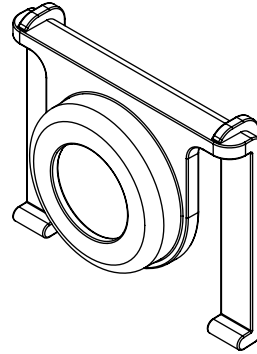
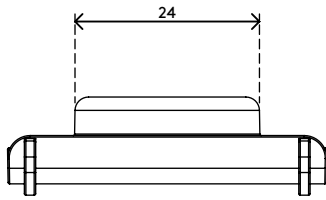
Addit cable guide – magnet mount 482

With this magnet mount, installing your Addit cable guide couldn't be easier. There are no screws, which means no hassle and no damage to your desk. The mount simply clicks the cable guide to any convenient metal point on a desk leg or traverse, and at the top for extra support.

- Hassle-free mounting set for Addit cable guide
- Improves cable guidance
- Clicks on to any metal element at any height
- 100% recycled PP (Polypropylene)
- Magnetic mounting via top and mid-elements

- No screws, no damage to desk
- Consists of 1 x clip and 2 x magnets
- Made in the Netherlands: Dutch design, Dutch quality
- Eligible for the Dataflex return program

addit



Addit cable guide – magnet mount 482


2020/11/25


34.482

 182 x 125 x 30 mm

 1 pcs

 grey (RAL9006)

 0,04 kg

 805410344825