



CONCEALMENT SYSTEMS



HC-37.53ED

Concealment system for video projectors by optical reflection mirrors

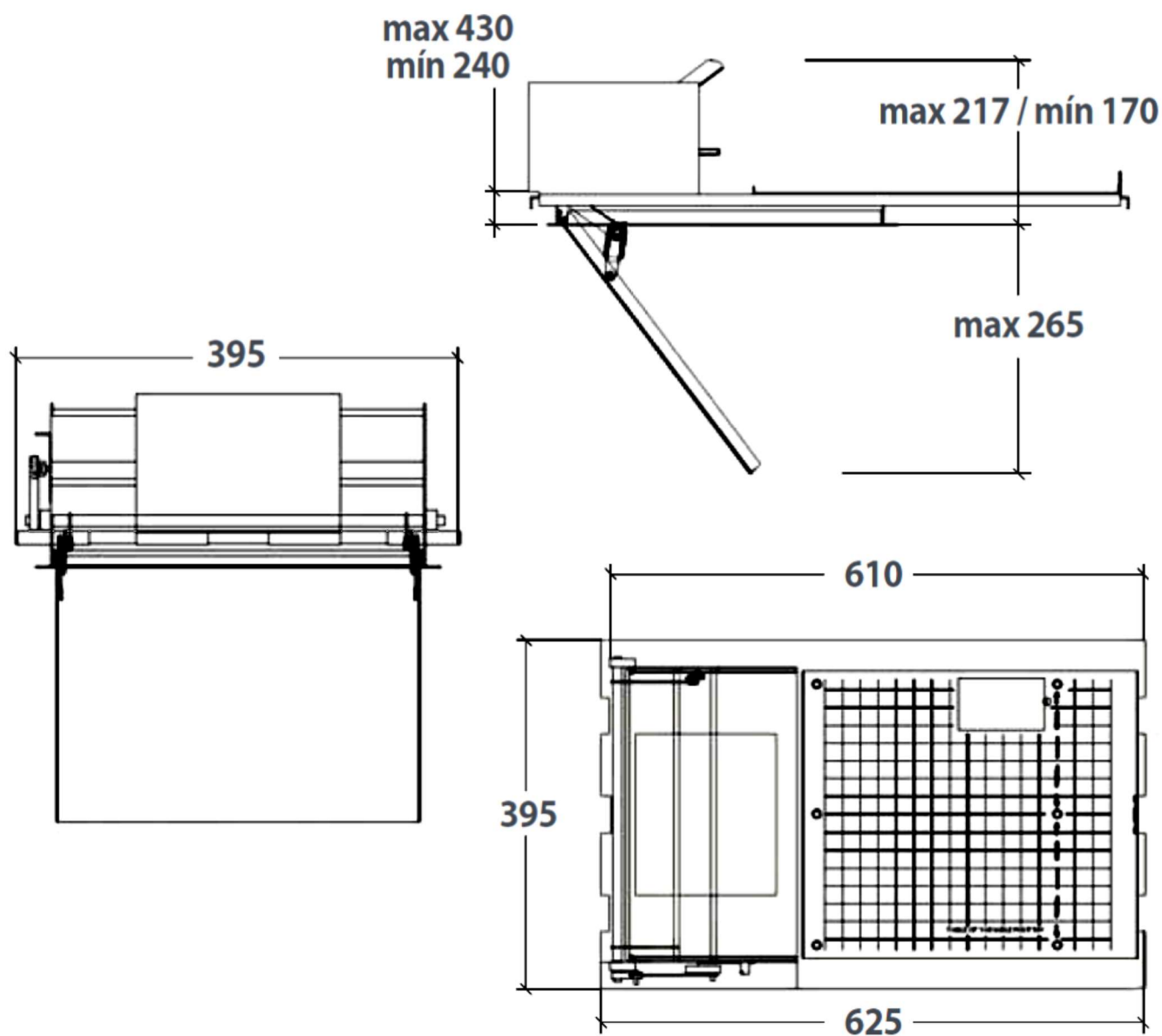
Cinema Mirror, is an optical-active set to be installed in false ceilings hiding the projection equipment and that has an opening and closing of the 335x335 mm hatch, allowing the projection of the image, thanks to its two mirrors, without causing any effect. trapeze. For this, the Cinema Mirror and the screen must be in the same plane or with a difference of 0 to 12 cm max. Now it is possible to control the opening and closing of the mirror separately, so system integrators can know where the device is. There are even more advantages, since the projector remains perfectly protected, against dust, dirt and possible theft; furthermore, the noise from the projector is not transmitted to the audience. We recommend projectors with a throw projection ratio greater than 1.5: 1.

CHARACTERISTICS

CLOSE SIZE	395 x 210* x 625 mm * the total height depends on the passive mirror setting
OPEN SIZE	395 x 475* x 625 mm * the total height depends on active & passive mirror setting
WEIGHT	12 Kg.
PROJECTOR TRAY SIZE	390 x 360 mm +110 mm L/R
MIRRORS	Fix: 180 x 190 mm Vertical Offset 35 mm Tilt 40°/45° Motorized: 300 x 300 mm Tilt 50°/55°
POWER SUPPLY	240 V A.C / 50Hz
CONSUMPTION	10 W
ON/OFF CONTROL	Twin Switch (not included)
ON/OFF RUN TIME	30"
NOISE	< 20 dB
INCLUDED ACCESSORIES	RF Remote Control Decorative bezel Safety Mount
OPTIONAL ACCESSORIES	HC635EC FINISH FRAME FALSE CEILING TRIGGER-2 SMART CONTROL SYSTEM

HC-37.53ED

DIBUJOS TECNICOS



CONEXIÓN ELÉCTRICA

