

## Universal Flat Screen Wall Mount For Extra-Large Screens

For more information please visit [www.btechavmounts.com/BT8422-PRO](http://www.btechavmounts.com/BT8422-PRO)

**BT8422-PRO**

Registered Design Number: 001713280-0034



## BT8422-PRO

### Universal Flat Screen Wall Mount

**Designed for extra-large screens  
up to 80" (203cm) / 70kg (154lbs)**

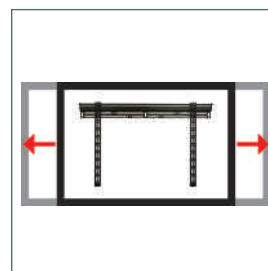
- Fits screens with mounting patterns up to: H: 825mm (32.5") x V: 500mm (19.7") including VESA® fixings up to 800 x 500mm
- Low profile design mounts screen only 30mm (1.2") from wall
- Features 'OWLS'™ On Wall Levelling System
- Post Installation screen alignment
- Locking bars included for secure installation
- Suitable for concrete / brick or up to 32" stud walls
- Universal screen fixing kit supplied, including M4, M5, M6 and M8 screws
- Brown boxed packaging designed to help cut costs for the professional installer. Retail boxed product also available as the BT8422
- Available in Black



Low profile design for close to the wall installation



Features locking bar for secure installation



Post installation screen alignment



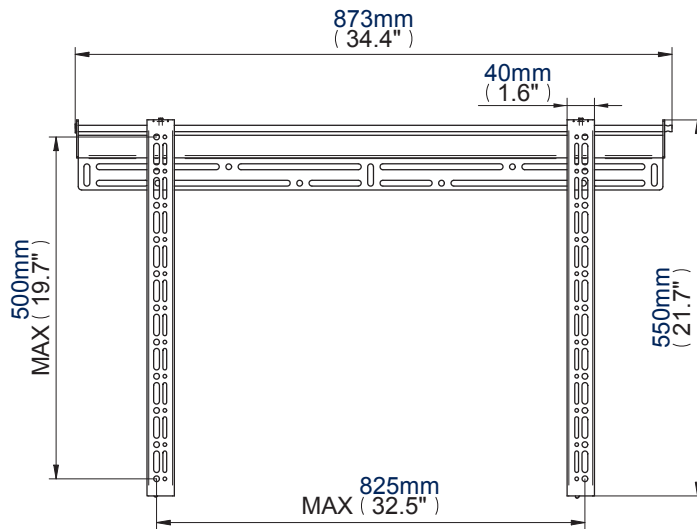
Comprehensive screen fixing kit included

### Universal Flat Screen Wall Mount For Extra-Large Screens

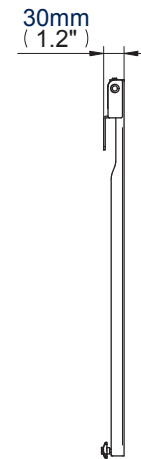
For more information please visit [www.btechavmounts.com/BT8422-PRO](http://www.btechavmounts.com/BT8422-PRO)

**BT8422-PRO**

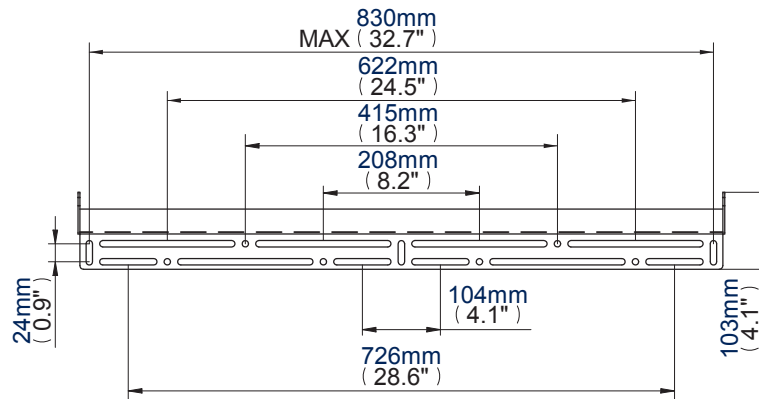
Registered Design Number: 001713280-0034



Front View



Side View



Wall Plate

Colour:	Order Ref:	EAN Code:	Master Carton Qty:	Inner Carton Qty:	Master Carton Weight:	Master Carton Cube:
Black	BT8422-PRO/B	5019318084256	4	0	16.97kg (37.41lbs)	1.38 cuft (0.039cbm)

**This information is intended as a guide only and reflects the current specification at the time of print.  
B-Tech accepts no liability for the accuracy of the information contained in this document.**