



B-TECH AV MOUNTS

FITS ALL
 SCREENS
 46" - 60"

BT8370-2X2

UNIVERSAL VIDEOWALL STAND FOR 2X2 VIDEOWALLS

Designed to mount videowalls in a 2x2 configuration, the BT8370-2x2 is a freestanding mounting solution with a universal design suitable for all videowall screens from 46" to 60". As part of B-Tech's dynamic System X range, this contemporary mounting solution is lightweight yet incredibly strong, has a high-end aesthetic quality and comes with important time saving features such as tool-less micro-adjustment and a universal screen position spacer to speed up the installation process. For larger installations the BT8370 is also available as a 3x3 package or alternatively for screens 32" - 75" visit www.btechavmounts.com/systemx-configurator to specify a custom configuration that suits your needs.

SPECIFICATION

Recommended screen size	46" - 60"
Max load	50kg per screen
VESA® & non-VESA fixings	up to 600 x 400mm
Dimensions	W: 2005mm D: 950mm H: 1898 up to 2094mm
Colour (base & interface arms)	Black
Colour (columns & rails)	Black or Silver

FEATURES

- Configurable mounting solution available to order to your requirements, from stock - see configurator info
- Universal design suitable for all videowall screens
- Suitable for landscape or portrait mounting
- Tool-less micro-adjustments for seamless screen alignment
- Integrated cable management
- Includes adjustable levelling feet
- Collar compatible accessories such as shelves can be fitted directly to the extrusion
- Safety screws help prevent unauthorised removal of screens
- All mounting hardware included
- TUV certified



SYSTEM X™
 TÜV Rheinland CERTIFIED

60" 152cm VESA 600x400 50KG PER SCREEN

ALTERNATIVE CONFIGURATIONS

The BT8370-2X2 is a mounting kit configured for a common videowall setup. Off-the-shelf kits for 2X2 and 3X3 configurations for screens from 39" to 60" are available throughout the range and for a custom configuration, use our online configuration tool to enter your specifications. With options such as screen size (from 32"-75"), screen orientation and leg height to choose from, there are over 2000 different configurations of the BT8370 available!

Try now at www.btechavmounts.com/systemx-configurator



Tool-less micro-adjustment for seamless display alignment



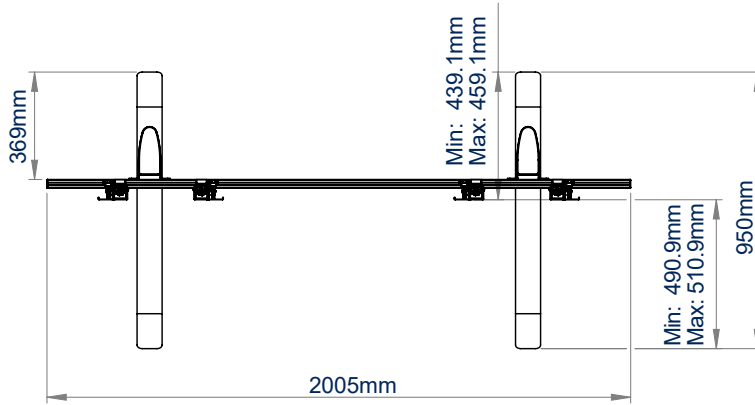
Cable management covers hide untidy cables and add to the stylish finish



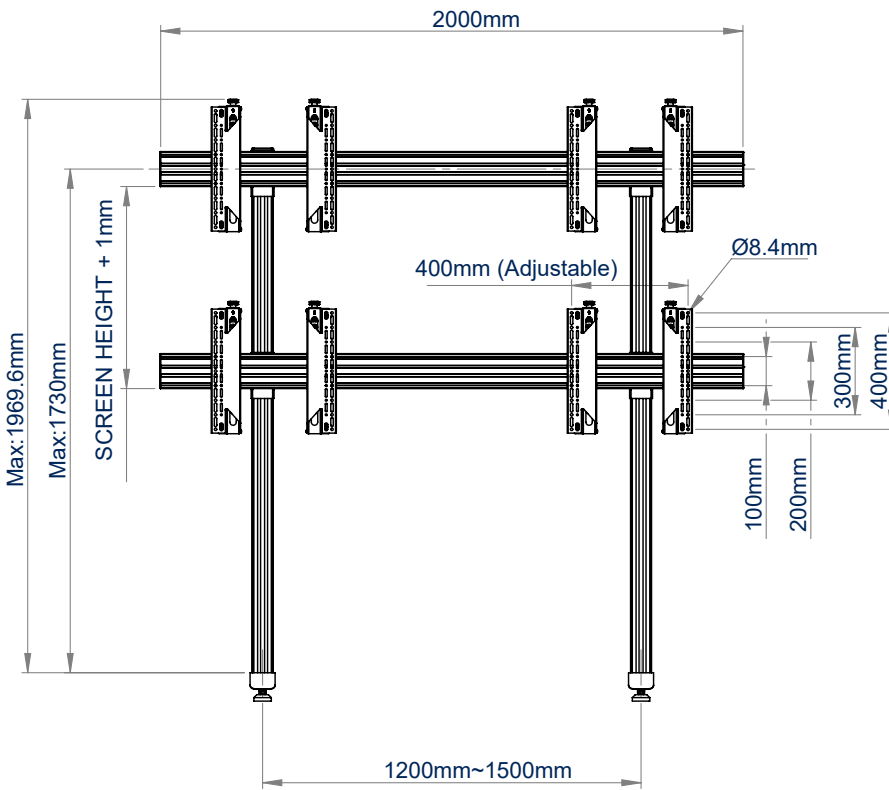
Fit System 2 compatible accessories such as shelves without using collars



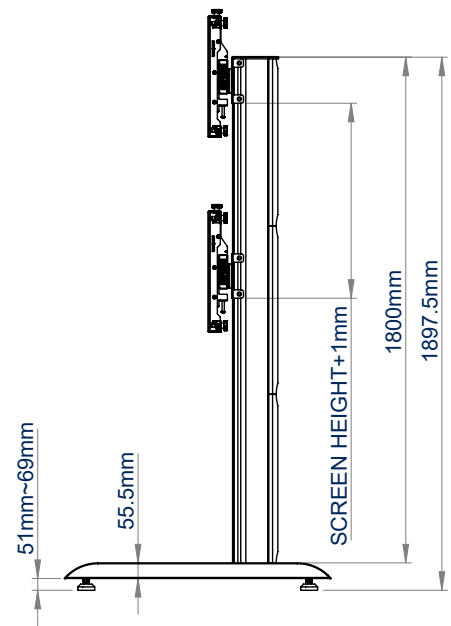
Use the online configurator to customise screen set-up



TOP VIEW



FRONT VIEW



SIDE VIEW

PACKING INFORMATION

PLEASE NOTE, THIS IS A 4 BOX ITEM THAT WILL BE PACKED AND DELIVERED ONTO A CUSTOM PALLET. ESTIMATED DIMS: 240 x 100 x 60cm WEIGHT: 107kg

COLOUR:	ORDER REF:	EAN CODE:	MASTER CARTON WEIGHT:	MASTER CARTON CUBE:
Black w/Black Columns	BT8370-2x2/BB	5019318501302	28kg / 16kg / 15kg / 21kg	0.13cbm / 0.09cbm / 0.06cbm / 0.05cbm
Black w/Silver Columns	BT8370-2x2/BS	5019318501319	28kg / 16kg / 15kg / 21kg	0.13cbm / 0.09cbm / 0.06cbm / 0.05cbm

ACCESSORIES AND RELATED PRODUCTS

BT8370-3X3



Universal Freestanding Videowall Stand for 3x3 Video Walls

BT8371-2X2



Universal Mobile Videowall Stand for 2x2 Video Walls

BT8372-2X2



Universal Bolt Down Videowall Stand for 2x2 Video Walls

BT7032 / BT7033 / BT7863



AV Accessory Shelves can be attached directly to a vertical column

© 2015 B-Tech Mounts of France, All rights reserved.
 The information in this specification is current technical specifications at the time of print.
 We reserve the right to change the technical or physical specifications without prior notice. This B-Tech Mounts and B-Tech Technology are registered trademarks of B-Tech International Ltd.
 B-Tech accepts no liability for loss or damage caused by improper or incorrect installation, use, modification or repair of any part of this
 specification. Any reproduction or transmission or replication of any part of this
 specification is expressly prohibited, unless prior written permission has been granted by B-Tech International Ltd. (BTL)

SS-V4.1-BT8370-2X2-200923