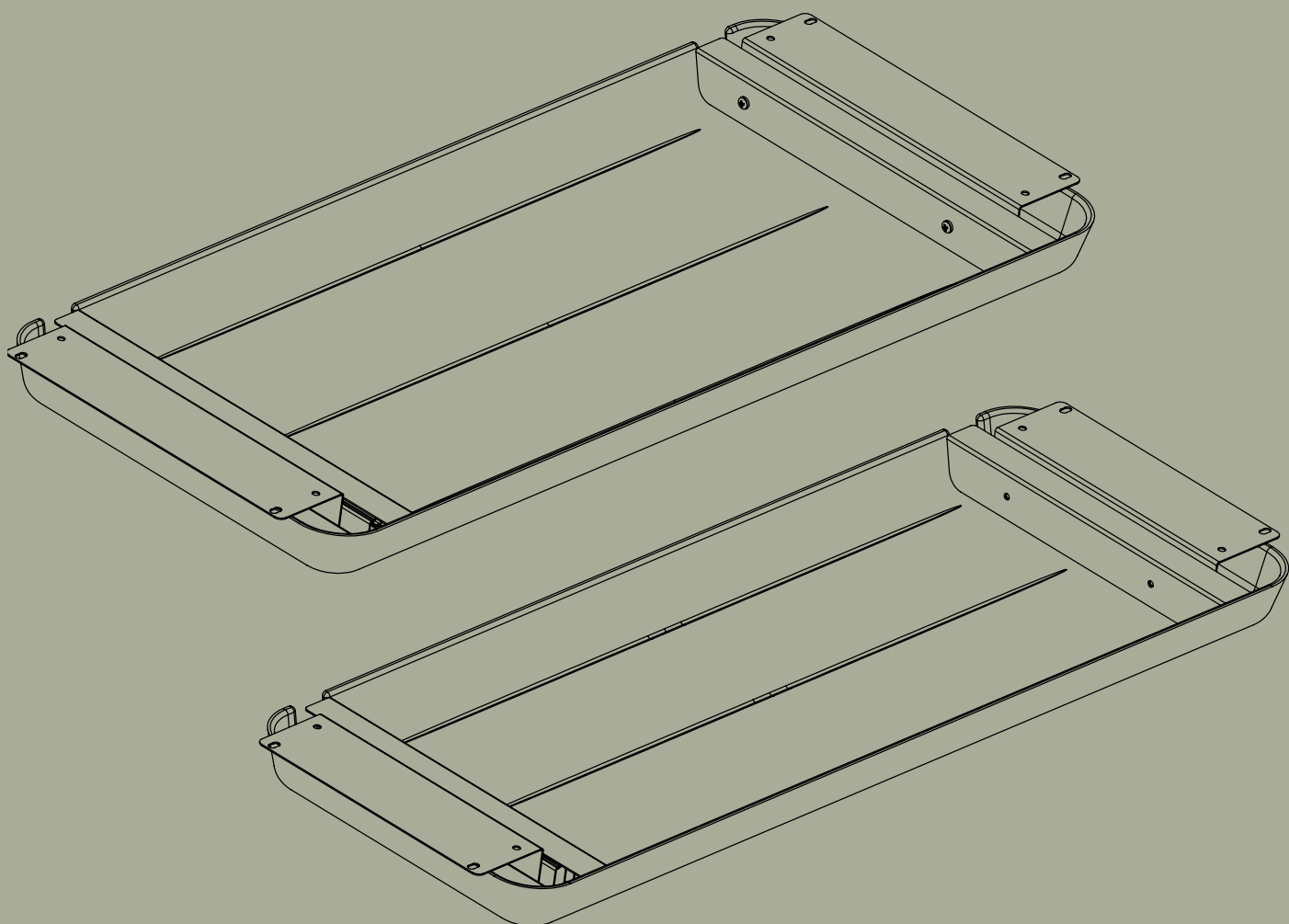


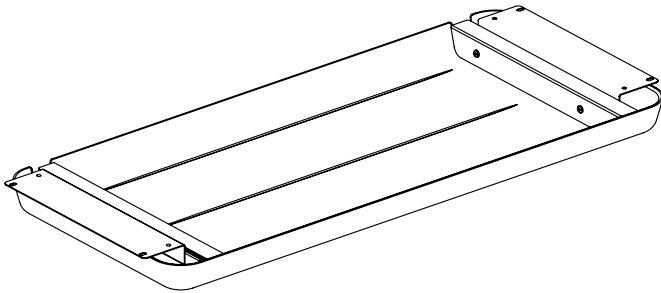
FELT DRAWER - LARGE & SLIM

DESIGNED BY PJ PRODUCTION & HANS THYGE & CO



APTO

PARTS



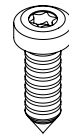
FELT DRAWER

Large: 6000-0083

Or

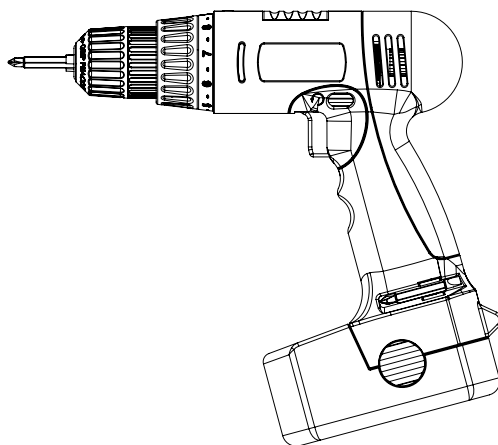
Slim: 6000-0192-0006 // 6000-0192-9000

// 6000-0192-0038 // 6000-0192-0034



8 x SELF-TAPPING SCREWS

WHAT YOU WILL NEED



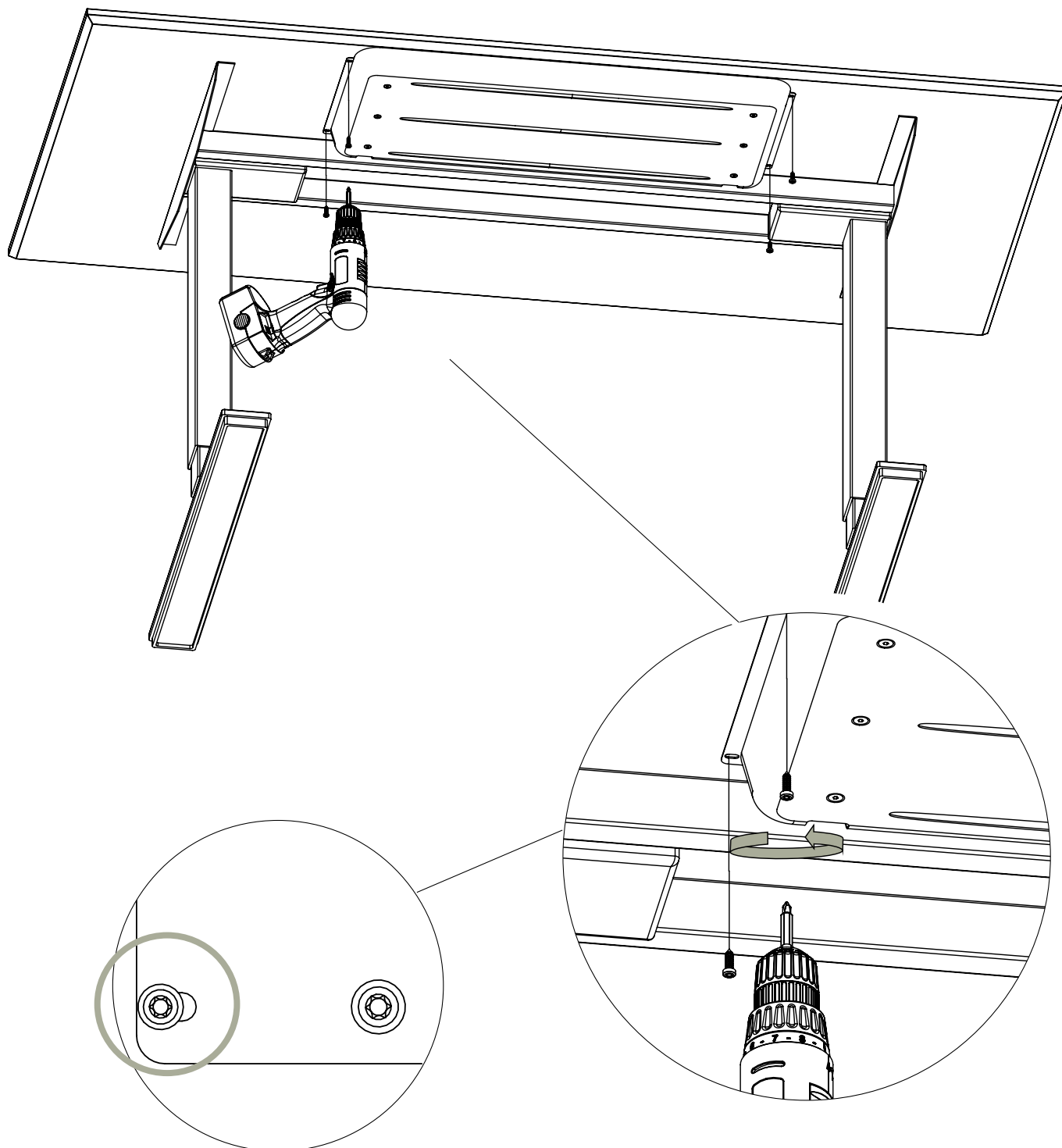
1 x ELECTRIC DRILL

APTO

STEP 1

Place the felt drawer underneath the table top running parallelly with the edge. Now carefully insert the self-tapping screws into the holes of the felt drawer, and use the electrical drill until the self-tapping screws have been sufficiently tightened.

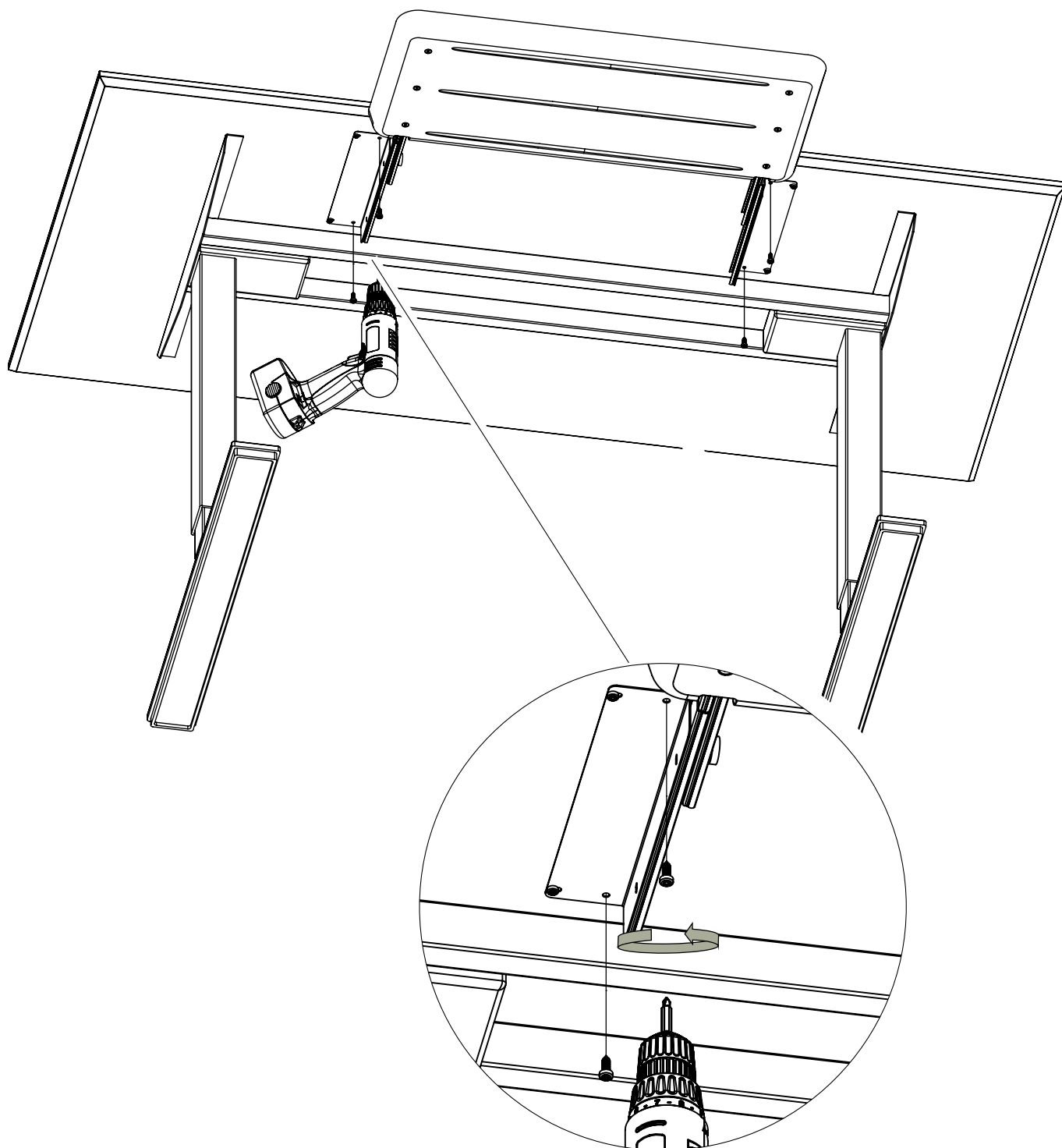
Note: We recommend you to place the self-tapping screws as shown on the illustration.



APTO

STEP 2

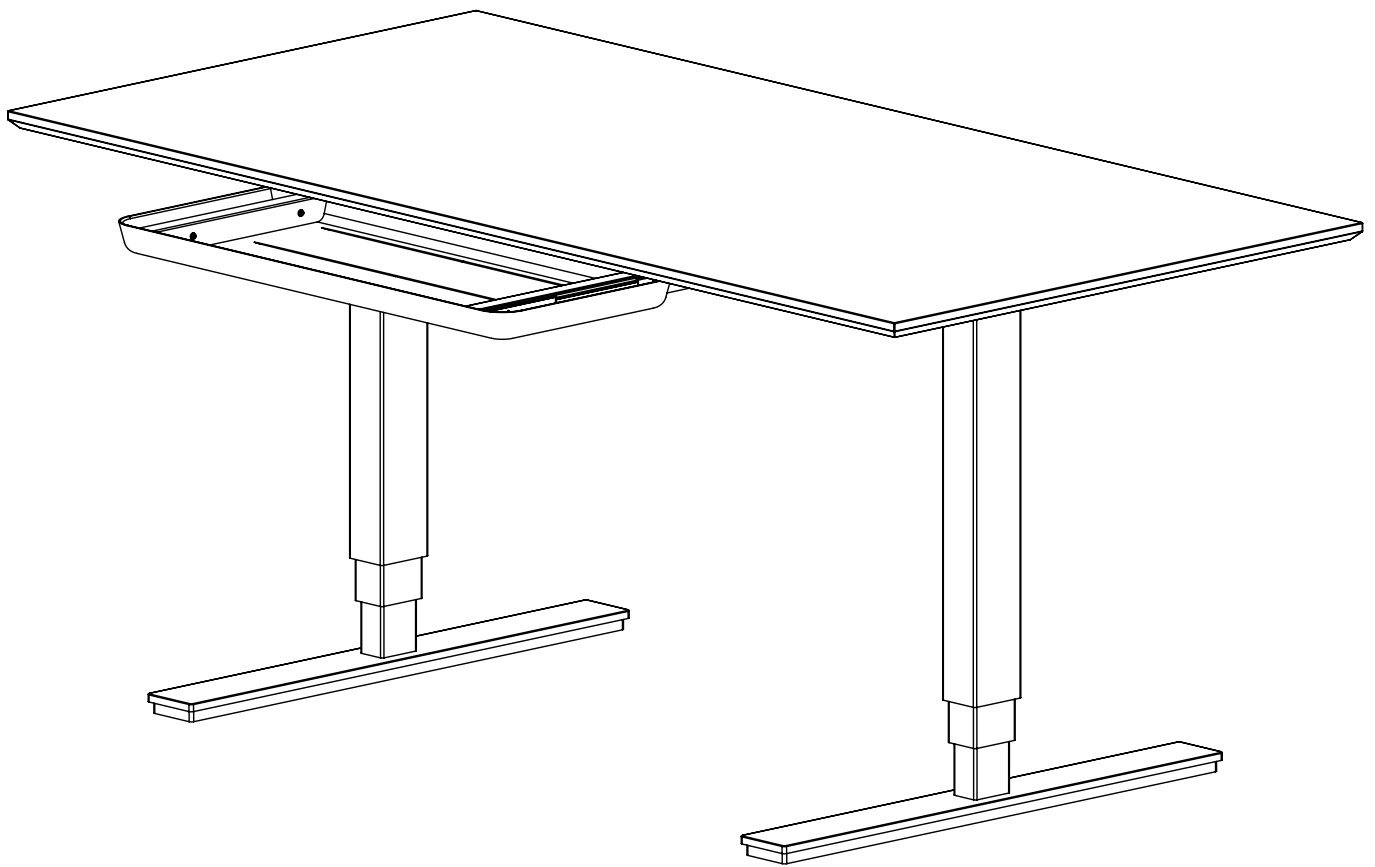
Pull out the drawer. Now carefully insert the self-tapping screws into the holes of the felt drawer, and use the electrical drill until the self-tapping screws have been sufficiently tightened.



APTO

STEP 3

The felt drawer is now ready to be used. Enjoy!



APTO

Hårup Skovej 2, 8600 Silkeborg, Danmark
+ 45 86 81 23 75 // www.aptocollection.dk

APTO
DANISH DESIGN