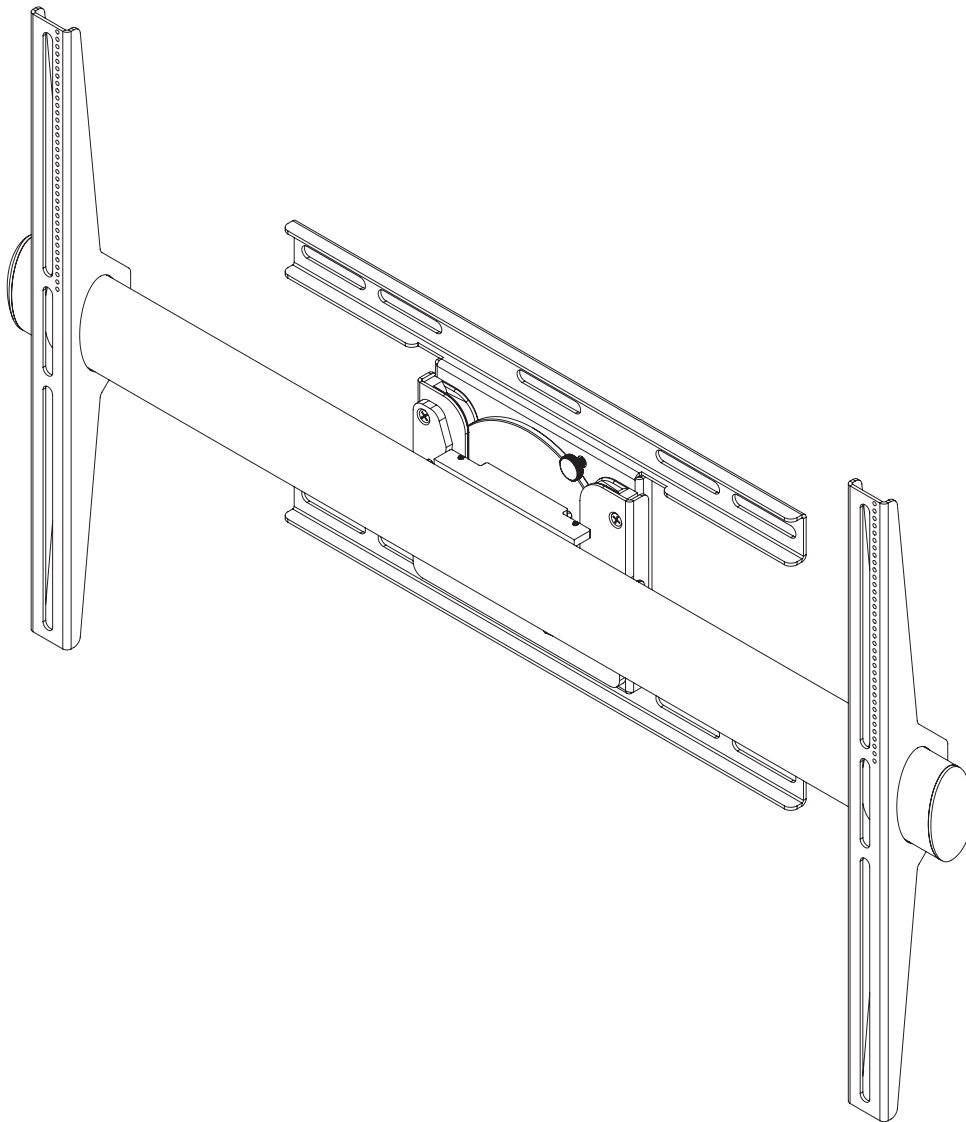


PFW 6858

Installation Guide

Installationsanleitung, Guía de Instalación, Guida de Installazione,
Guide d'Installation, Installatie gids



- (GB) Subject to printing errors and technical amendments.
 (NL) Drukfouten en technische wijzigingen voorbehouden.
 (F) Sous réserve de fautes d'impression et de modifications techniques.
 (D) Für Druckfehler übernehmen wir keine Verantwortung.
 Technische Änderungen vorbehalten.
 (E) Reservados errores de imprenta y sujete a modificaciones.
 (I) Con riserva di modifiche tecniche e di eventuali errori di stampa.
 (P) Reserva-se a ocorrência de gralhas e de modificações técnicas.
 (H) Nyomdahibák és technikai változtatások joga fenntartva.
 (PL) Zastrzeżenie się możliwość występowania błędów drukarskich i zmian technicznych.
 (RUS) Возможны ошибки при печати и технические модификации.

Designed and engineered in the Netherlands
 More information on: www.vogels.com

VOGEL'S PRODUCTS BV, HONDSRUGLAAN 93, 5628 DB EINDHOVEN, THE NETHERLANDS



Max: 72kg/160lbs

PFW 6858

Installation Guide

Installationsanleitung, Guía de Instalación, Guida de Installazione, Guide d'Installation, Installatie gids

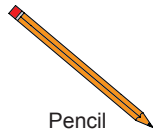
Weight Limit

Maximum Flat Panel Weight: **160 lbs.**

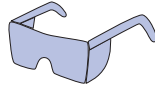
Installation Tools:



Electronic Stud Finder



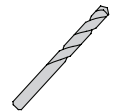
Pencil



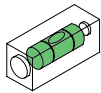
Protective Eyewear



M6 or 1/4" Drill Bit



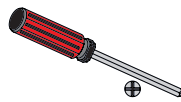
3/8" Masonry Drill Bit



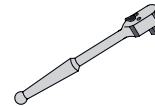
Level



13mm or 1/2" Socket



Phillips Head Screwdriver



Socket Wrench

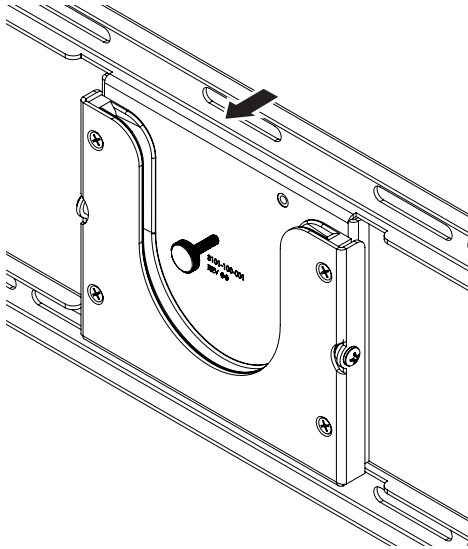


Portable Drill

PFW 6858 Installation Guide

Installationsanleitung, Guía de Instalación, Guida de Installazione, Guide d'Installation, Installatie gids

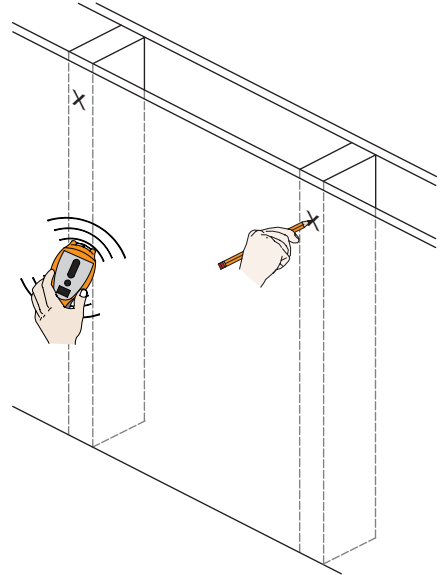
1



Remove the M6 Knurl Knob from the wall mount and place it aside.

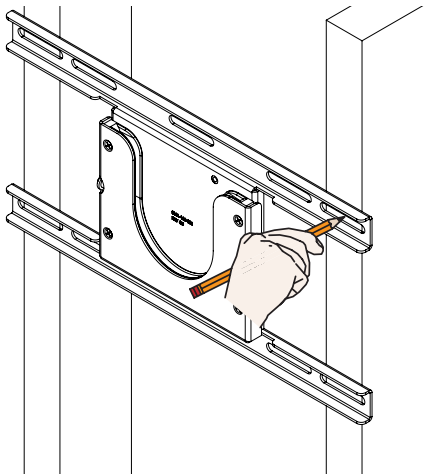
2

Wood Installation



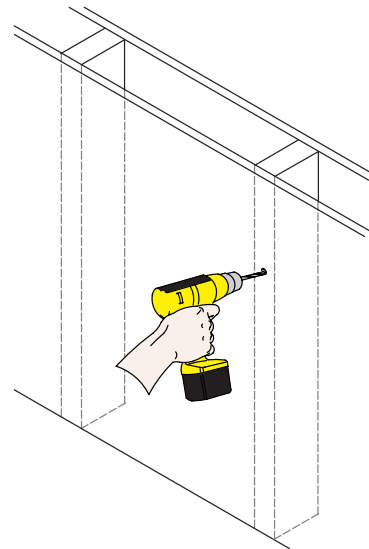
1. Use a stud finder to determine the center of wall studs in the vicinity of the wall plate.
2. Use a pencil to mark the center of each of the wall studs.

3



1. Place the wall mount against the wall in the desired viewing location.
2. Use a pencil to mark the upper right mounting location along the center of the wall stud.

4



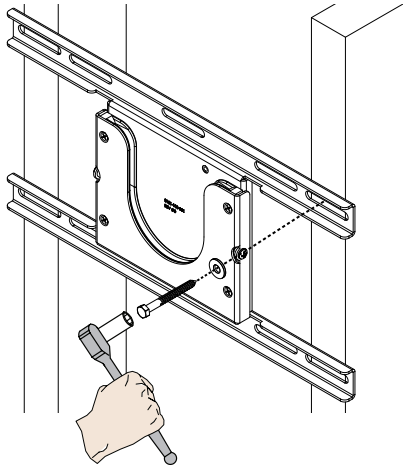
Drill a "pole hole" in the center of the upper right mark using a 1/4" drill bit and power drill.

PFW 6858

Installation Guide

Installationsanleitung, Guía de Instalación, Guida de Installazione, Guide d'Installation, Installatie gids

5

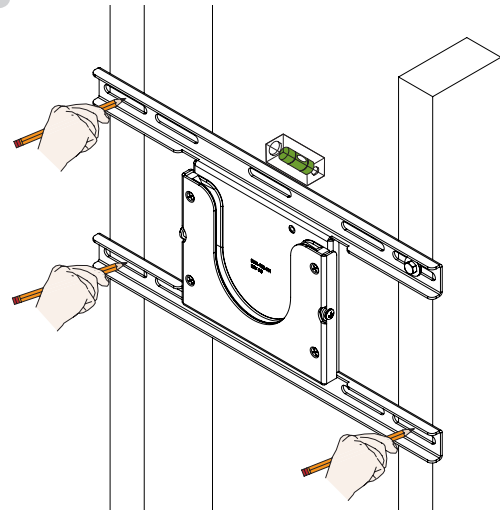


1. Place the wall mount against the wall and align it with the pilot hole.
2. Insert one (1) 5/16" x 3" lag bolt and one (1) 5/16" washer into the upper right mounting hole and tighten using a socket wrench and 1/2" socket.



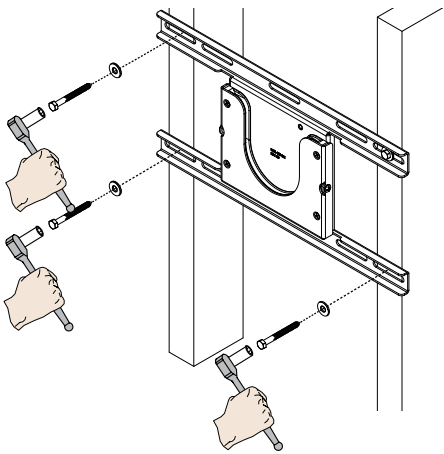
Do not over tighten the lag bolt.

6



- 1) Level the wall mount.
- 2) Use a pencil to mark the remaining three (3) mounting locations along the center of each wall stud.

7



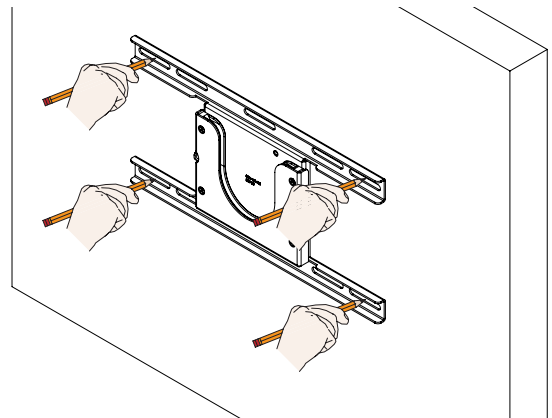
1. Insert one (1) 5/16" x 3" lag bolt and one (1) 5/16" washer into each pilot holes.
2. Tighten all lag bolts using a socket wrench and 1/2" socket.



Do not over tighten the lag bolt.

1

Concrete Installation

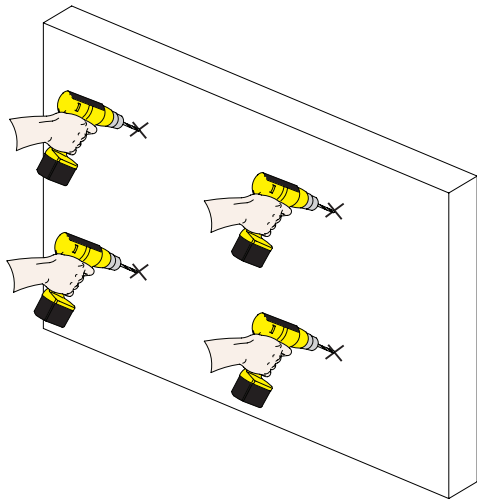


Two people are recommended for this step: one person to level the wall mount and another person to mark the mounting locations.

PFW 6858 Installation Guide

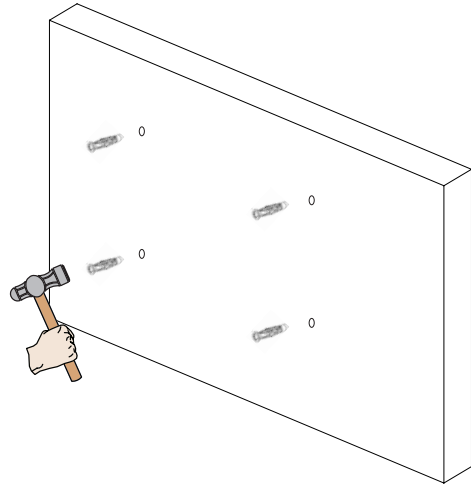
Installationsanleitung, Guía de Instalación, Guida de Installazione, Guide d'Installation, Installatie gids

2



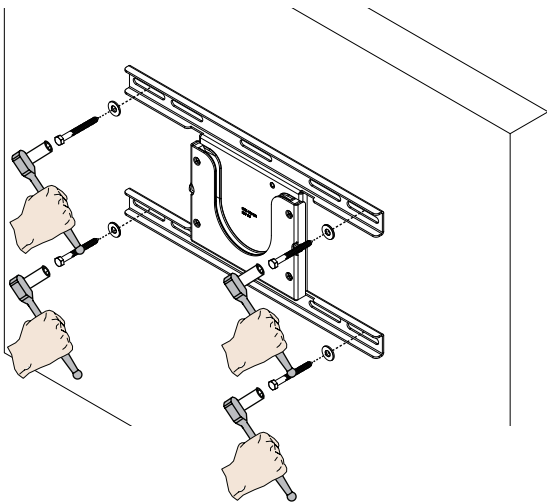
Drill four (4) pilot holes of each mark using a drill and 3/8" masonry drill bit.

3



Insert the Finned Anchors into each pilot hole. Lightly tap each Finned Anchors into place with a hammer.

4



1. Insert one (1) 5/16" x 3" Lag Bolt and one (1) 5/16" washer into each pilot holes.
2. Tighten all lag bolts using a socket wrench and 1/2" socket.

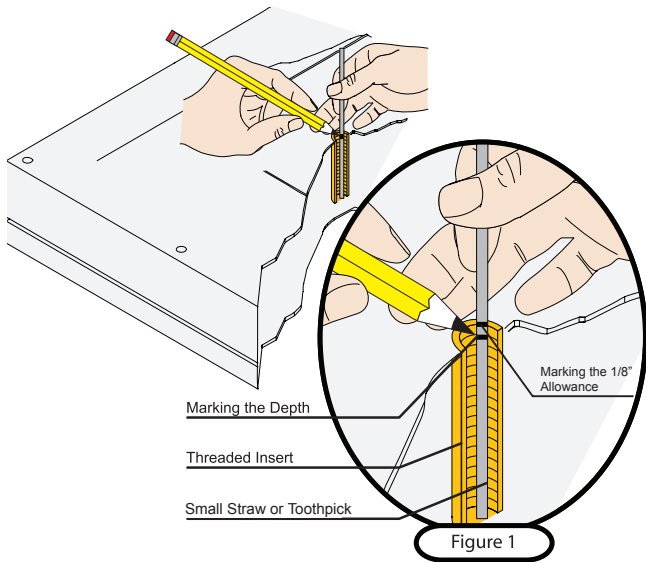


Do not over tighten the lag bolt.

PFW 6858

Installation Guide

Installationsanleitung, Guía de Instalación, Guida de Installazione, Guide d'Installation, Installatie gids



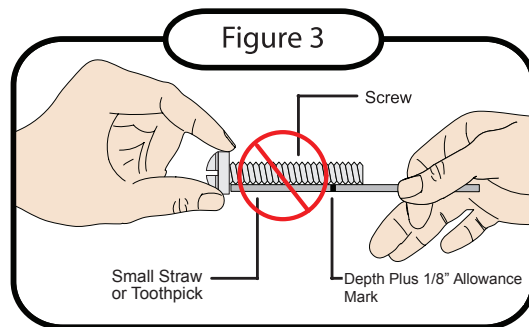
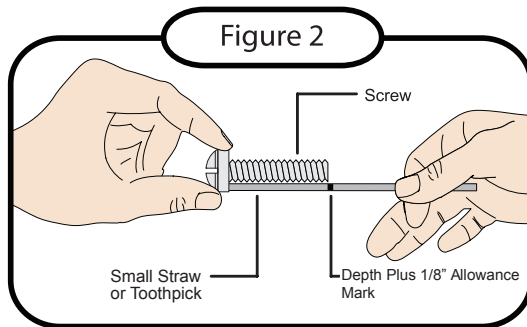
Selecting the Mounting Hardware

- 1) Insert a small straw or toothpick into the threaded inserts found on the back of the flat-panel.
- 2) Use a pencil to mark the depth of the threaded insert on the small straw or toothpick.
- 3) Mark the straw or toothpick 1/8" above the depth of the threaded insert, as shown in Figure 1.
- 4) Insert the small straw or toothpick into the remaining threaded inserts to compare and verify their depth using the straw or toothpick's 1/8" allowance mark.
- 5) Locate the correct diameter screw for the threaded insert.



If the screw you selected is longer than the 1/8" allowance mark on the small straw or toothpick, as shown in Figure 2 and Figure 3, do not use this screw. The screw length must not bypass the mark.

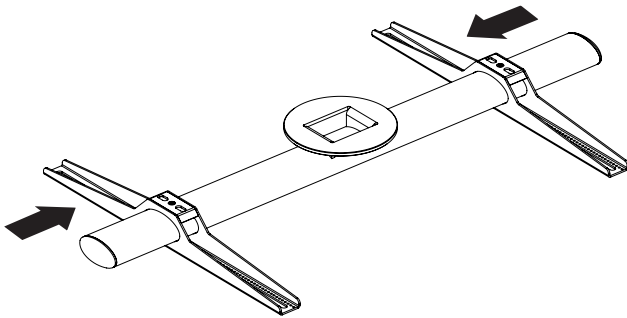
- 6) Test each size of the screws provided.
The correct screws should thread easily into the mounting point and not pull out when tension is applied.



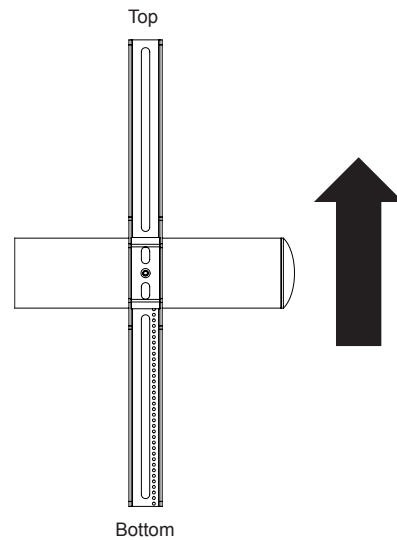
PFW 6858 Installation Guide

Installationsanleitung, Guía de Instalación, Guida de Installazione, Guide d'Installation, Installatie gids

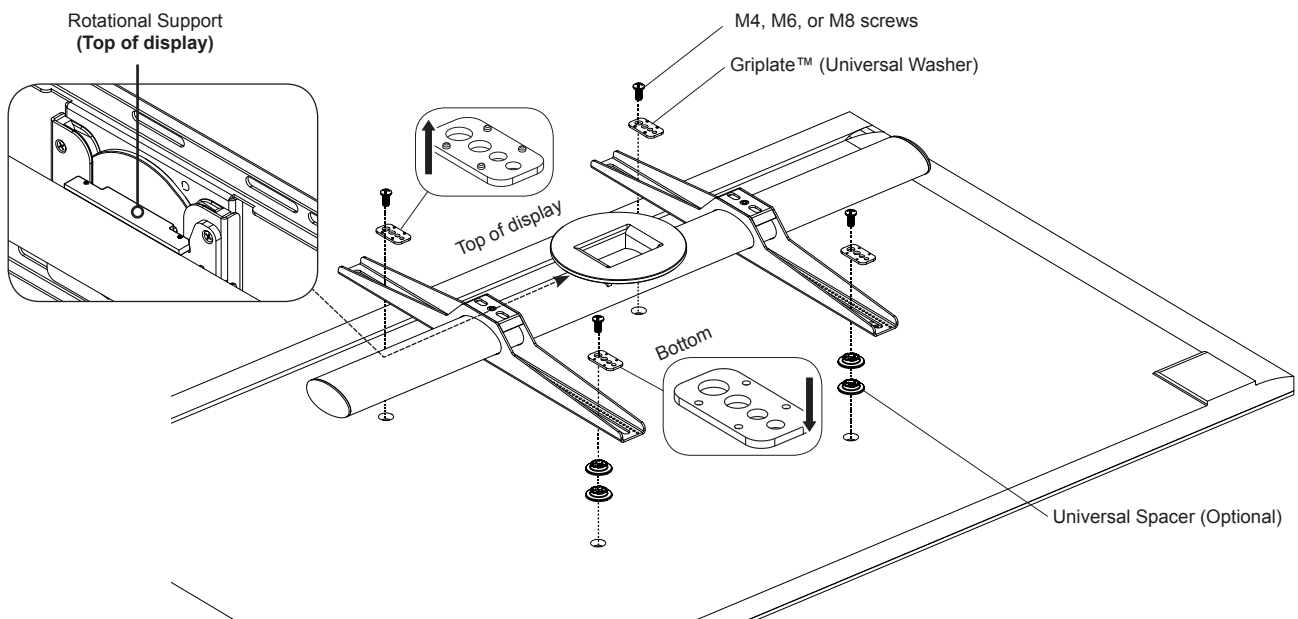
1



Slide the mounting brackets into the cross bar.



2



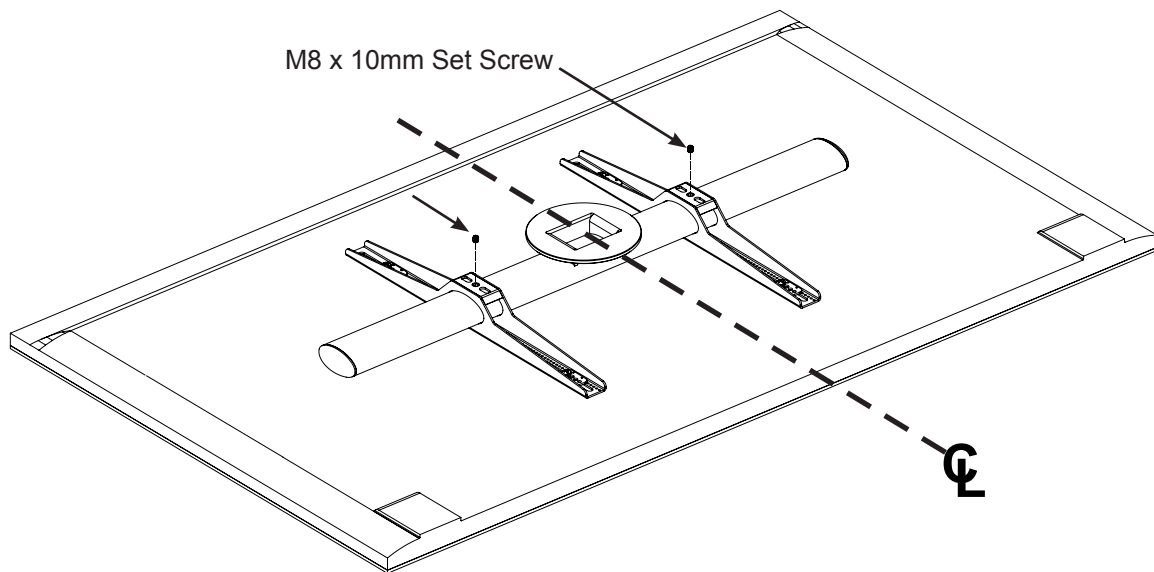
Align the brackets to the display mounting holes. Use the depth measuring straw to determine the appropriate hardware. Use four (4) M4, M6, or M8 screws depending on display and four (4) Griplate™ (Universal Washer). Use Universal Spacer if necessary.

PFW 6858

Installation Guide

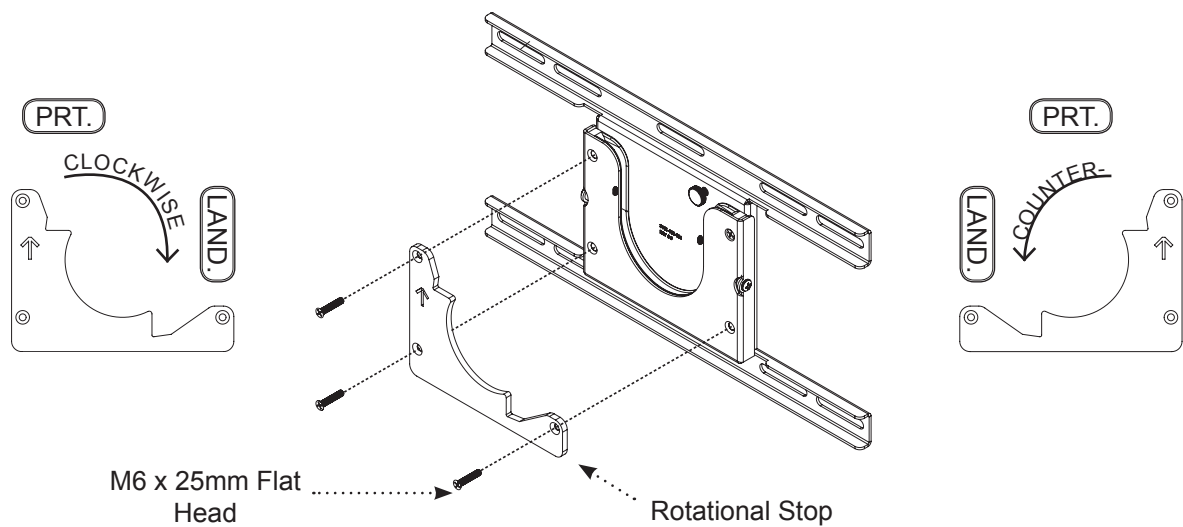
Installationsanleitung, Guía de Instalación, Guida de Installazione, Guide d'Installation, Installatie gids

3



Center the cross bar to the display and tighten the two (2) M8 x 10 Set Screws using the 5/32" Allen Key to secure the brackets.

4

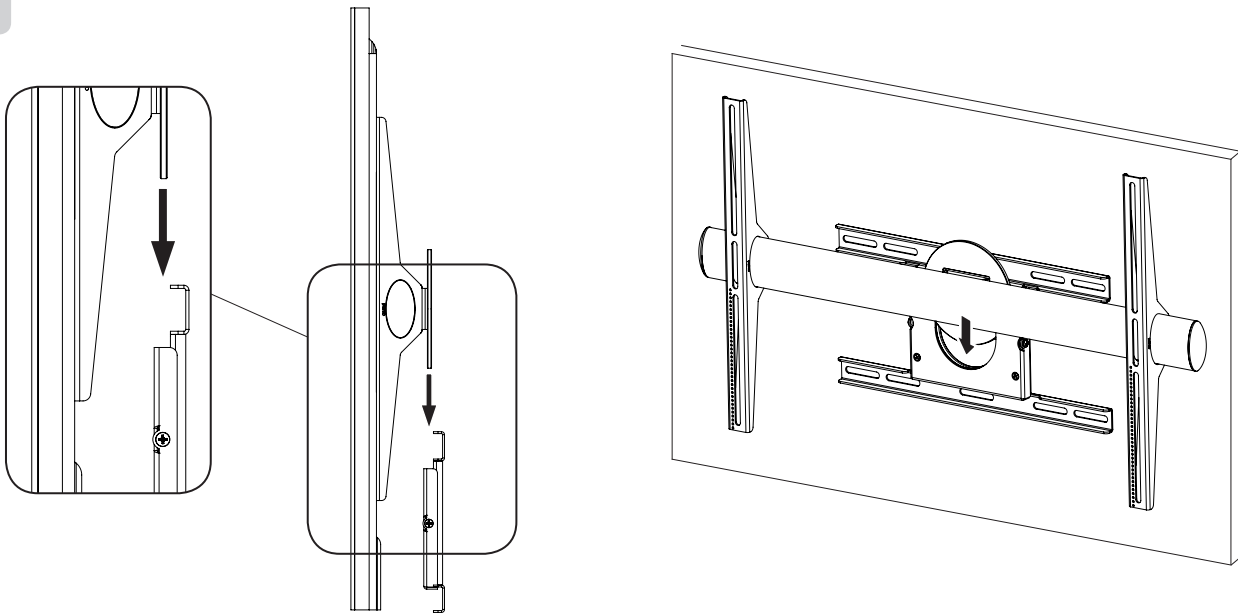


1. Install the Rotational Stop with (3) M6 x 25mm Flat Head Screw.
2. Reversible in either left or right orientation.

PFW 6858 Installation Guide

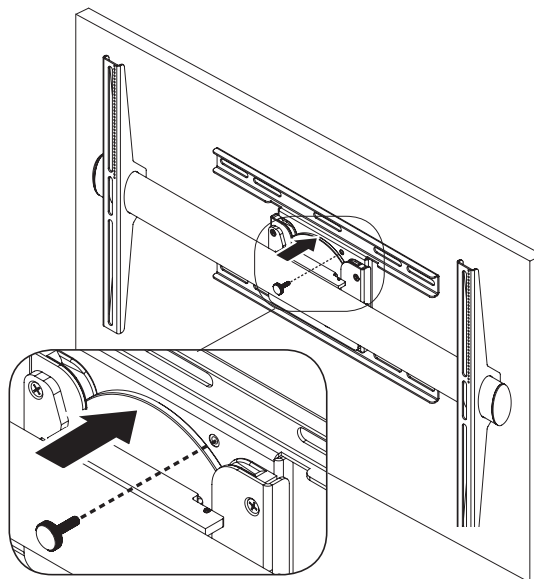
Installationsanleitung, Guía de Instalación, Guida de Installazione, Guide d'Installation, Installatie gids

5



Two or three person is recommended for this step. Lift the cross bar and place it into the wall mount..

6



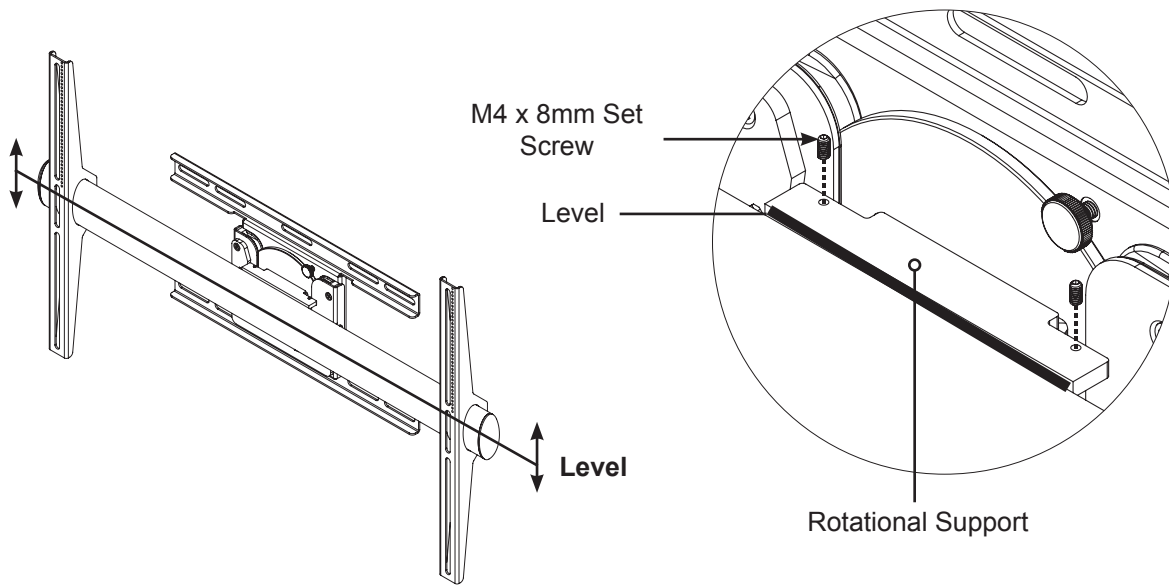
Install the M6 Knurl Knob removed from step 1 to secure the cross bar from dislodging.

PFW 6858

Installation Guide

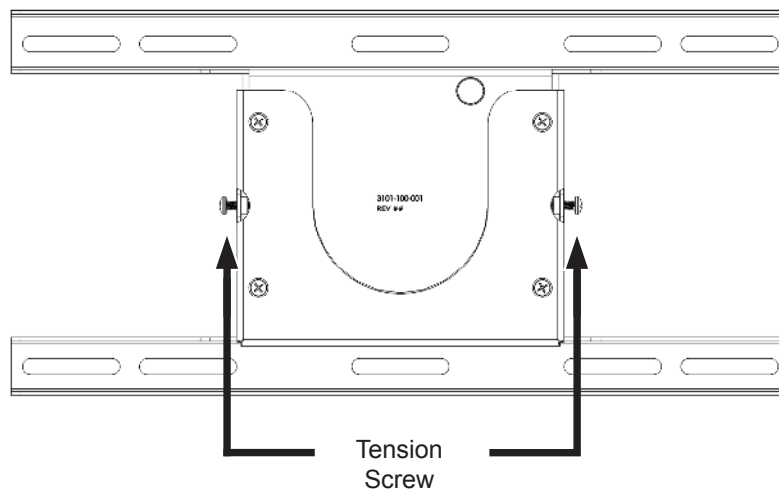
Installationsanleitung, Guía de Instalación, Guida de Installazione, Guide d'Installation, Installatie gids

7



Place a level on the rotational support. Loosen/tighten (2) M4 x 8mm Set Screw to level the display arms for perfect 90° (Portrait) and 0° (Landscape) orientation.

8



Tighten the two (2) screws (located on the side of the wall mount) once the final position is attained.