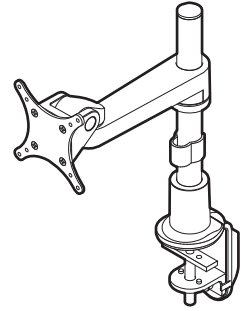
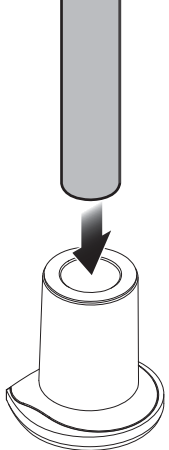
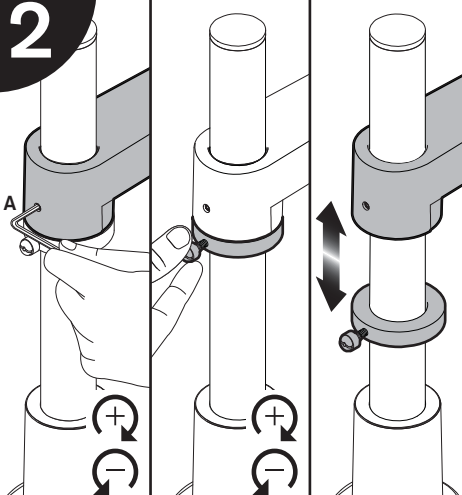
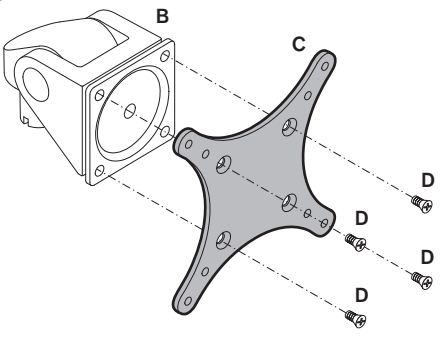
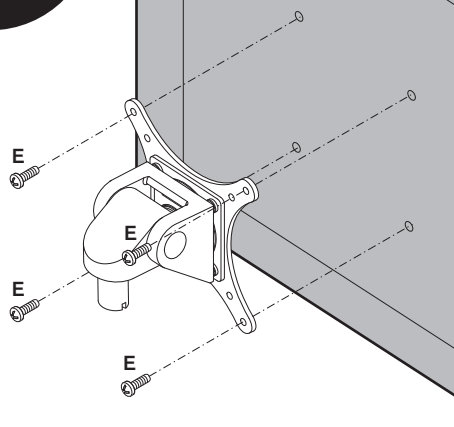
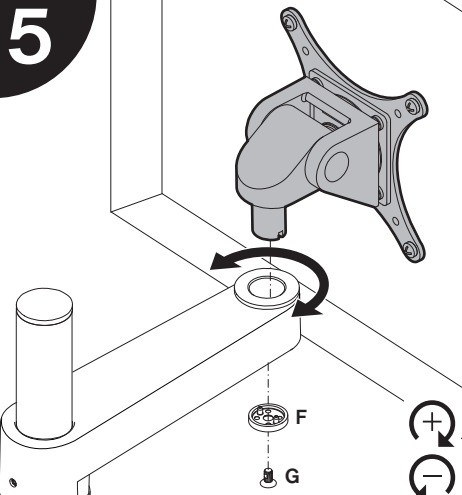
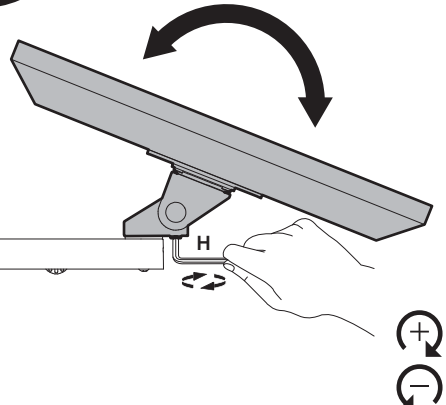
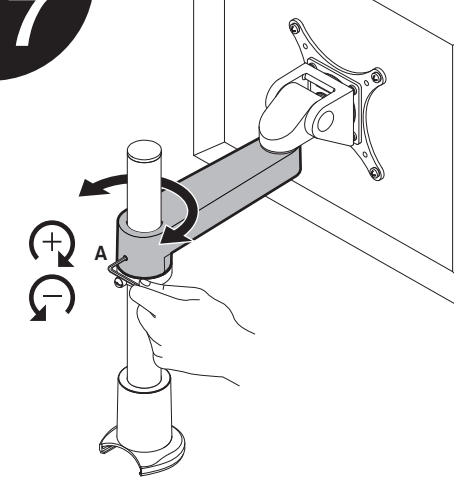
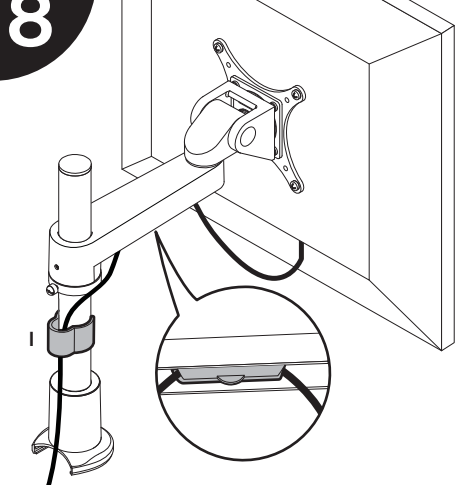




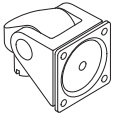


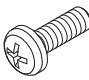
PFD 8522  
Installation Instructions

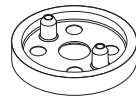

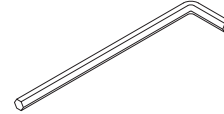



|  |  |  |
|--|--|--|
| <p><b>1</b></p>   | <p><b>2</b></p>    | <p><b>3</b></p>   |
| <p><b>4</b></p>  | <p><b>5</b></p>   | <p><b>6</b></p>   |
| <p><b>7</b></p>  | <p><b>8</b></p>  | <p style="text-align: center;"></p> <p style="text-align: center;"><a href="http://www.vogels.com">www.vogels.com</a></p> |



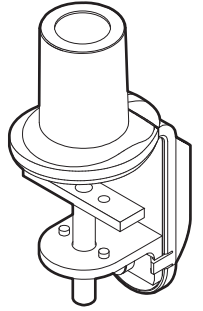
## PFD 8522 Parts List

| ITEM  | DESCRIPTION / PART NO.  | QUANTITY |
|---|---|----------|
| A   | <b>3/32" Allen Wrench</b><br>700146                               | 1        |
|    |   |          |
| B   | <b>Monitor Tilter</b><br>405397                                   | 1        |
|    |   |          |
| C   | <b>75/100mm VESA® Adapter Plate</b> 1<br>105587                   |          |
|    |   |          |
| D   | <b>10-32 x 3/8" Phillips Flat Head Screw</b> 1<br>702281 (4-pack) |          |
|  |   |          |
| E   | <b>M4 x 12mm Phillips Pan Head Screw</b> 1<br>702096 (4-pack)     |          |
|  |   |          |

| ITEM   | DESCRIPTION / PART NO.                             | QUANTITY |
|--|--|----------|
| F  | <b>Dog Washer</b><br>105189                        | 1        |
|  |  |          |
| G  | <b>10-32 x 3/8" FPhMS w/Lock Patch</b> 1<br>705198 |          |
|   |  |          |
| H  | <b>7/32" Allen Wrench</b><br>701127                | 1        |
|  |  |          |
| I  | <b>Cable Clip</b><br>104533                        | 1        |
|  |  |          |



# FLEXmount™ Installation Instructions



### Desk Clamp

- 1
- 2
- 3

### Thru-Desk

### Wall Mount

- 1
- 2

\* Hardware not included.

### Reverse Wall Mount

- 1
- 2

\* Hardware not included.

### Grommet Hole

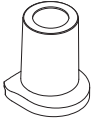
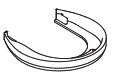
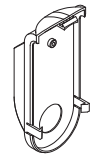
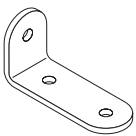
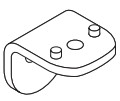
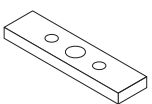
### Side Bolt

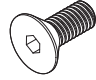
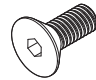
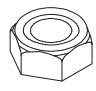
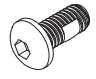
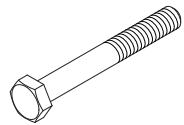
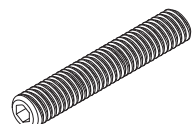
- 1
- 2

\* Hardware not included.



## FLEXmount™ Parts List

| ITEM | DESCRIPTION / PART NO.   | QUANTITY |
|------|--|----------|
| A    |  <b>Mount Cup</b><br>406715             | 1        |
| B    |  <b>Mount Cup Rubber Sole</b><br>105553 | 1        |
| C    |  <b>Cable Management</b><br>105538      | 1        |
| D    |  <b>Large "L" Bracket</b><br>701117    | 1        |
| E    |  <b>Small "L" Bracket</b><br>701116   | 1        |
| F    |  <b>Rectangular Spacer</b><br>701544  | 1        |

| ITEM | DESCRIPTION / PART NO.   | QUANTITY |
|------|--|----------|
| G    |  <b>3/8-16 x 1" Flat Socket Cap Screw</b><br>701124       | 1        |
| H    |  <b>3/8-16 x 7/8" Flat Socket Cap Screw</b><br>701799     | 1        |
| I    |  <b>3/8-16 Nylon Stop Nut</b><br>701418                   | 1        |
| J    |  <b>3/8-16 x 7/8" Button Socket Cap Screw</b><br>701122 | 1        |
| K    |  <b>3/8-16 x 2-1/2" Hex Head Bolt</b><br>700268        | 1        |
| L    |  <b>1/2-13 x 3" Socket Set Screw</b><br>701126         | 1        |