
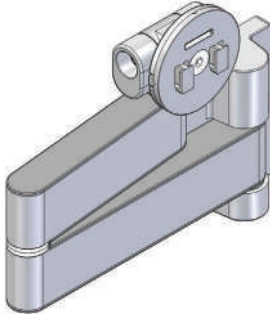
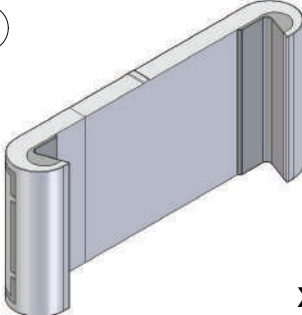


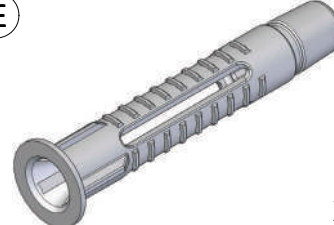



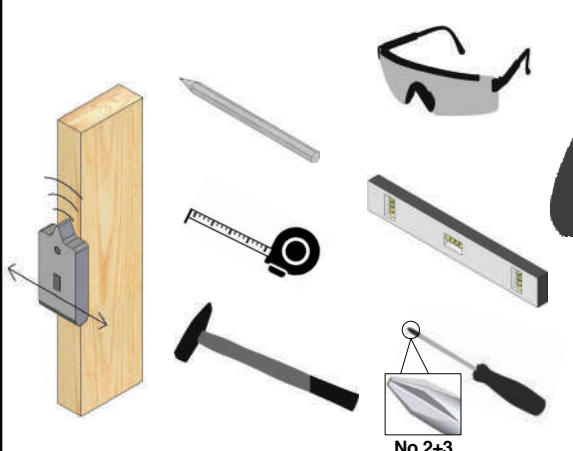




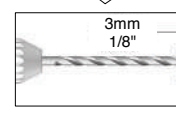
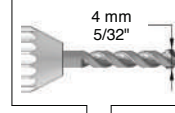
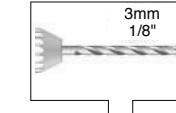
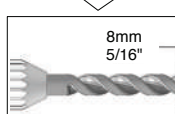
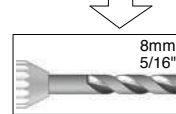
Fits all Tablets	 <b>Max</b>	
	US	EU
7" - 12" / 17.8 - 30.5cm	2.2 lbs	1 kg

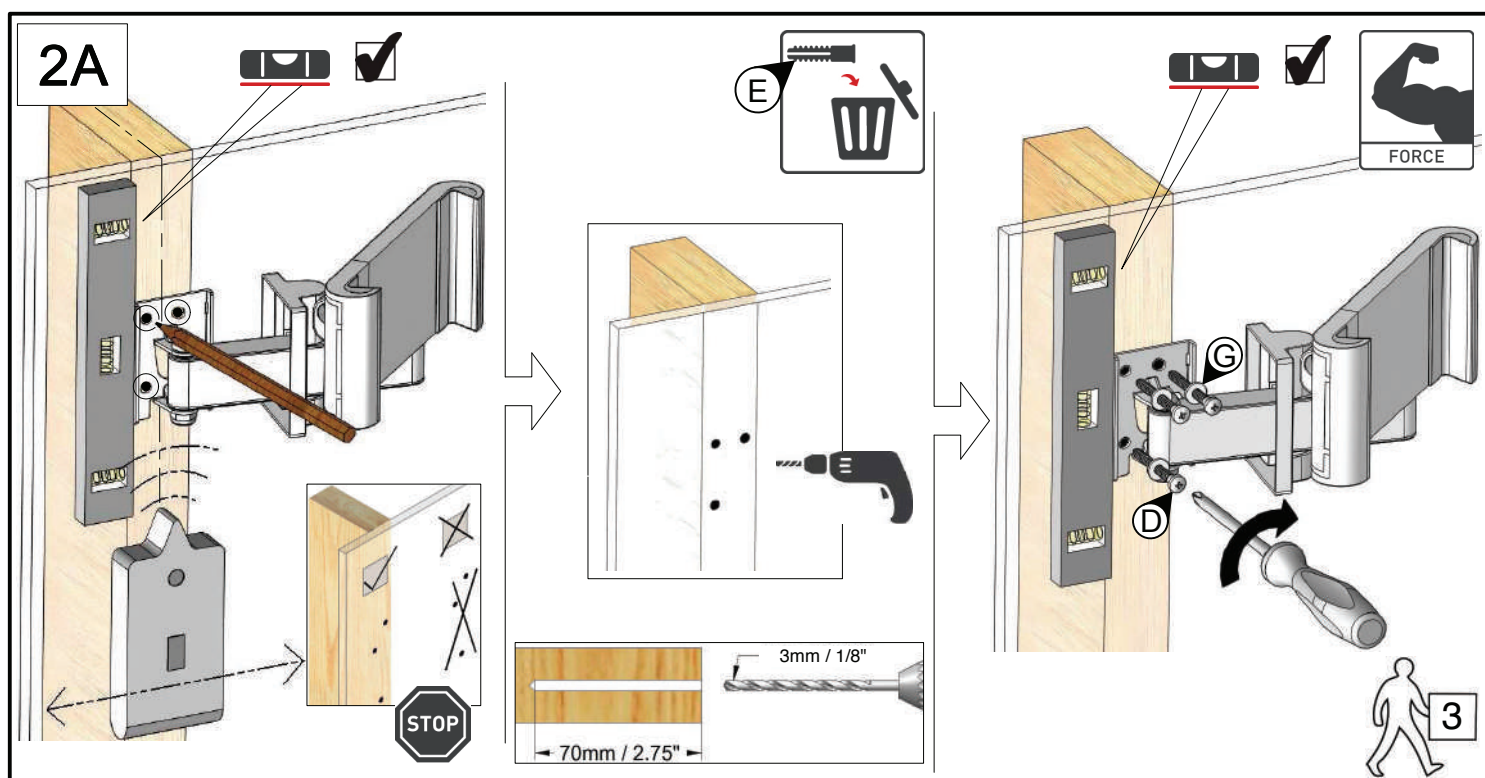
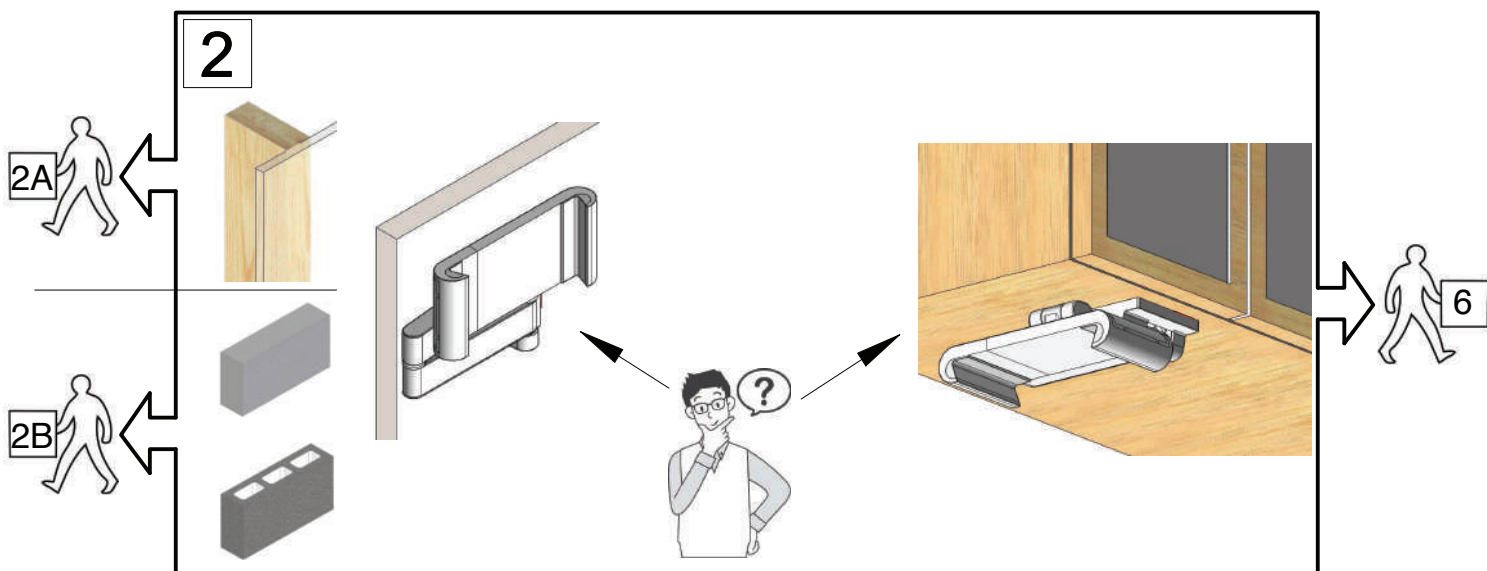
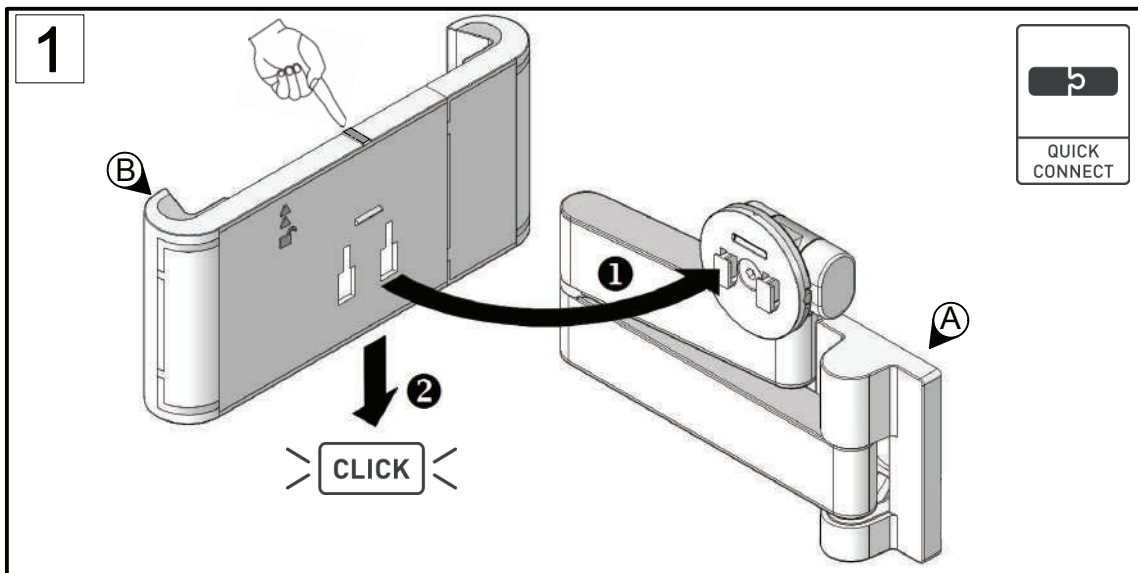


<b>A</b>  x1	<b>B</b>  x1	<b>C</b>  x1	<b>D</b>  x3
<b>E</b>  x3	<b>F</b>  x3	<b>G</b>  x3	<b>H</b>  x3



No.2+3



**2B**

Leveling and alignment instructions. Includes a warning to stop drilling if water or electricity is encountered. Drilling specifications: 4mm / 5/32" drill bit, 70mm / 2.75" depth. 8mm / 5/16" drill bit, 70mm / 2.75" depth.

Mounting instructions: Insert screws into the wall, ensuring a 10mm / 3/8" gap from the plaster coating. Tighten screws in two steps (1 and 2) for a minimum of 2 turns and a maximum of 9 turns. Apply force to secure the device. A person icon with '3' indicates the next step.

**PLASTER COATING**

**FORCE**

**3** **TEST!**

Testing instructions: Apply a weight of 5kg / 11lbs to the device. A green checkmark indicates correct installation, and a red X indicates incorrect installation.

**5kg / 11lbs**

**4**

Tilting instructions: Rotate the device to the desired angle. Arrows 1 and 2 indicate the direction of movement.

**5**

Rotation instructions: Rotate the device 360 degrees. A person icon with 'FINISH' indicates the end of the installation.

**360°**  
**360° ROTATION**

**TILT**

**FINISH**

