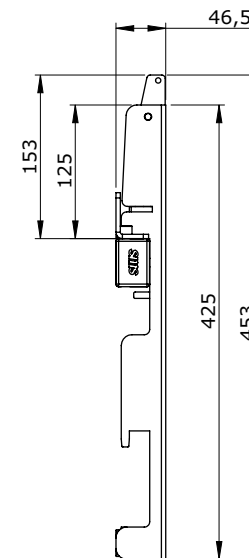
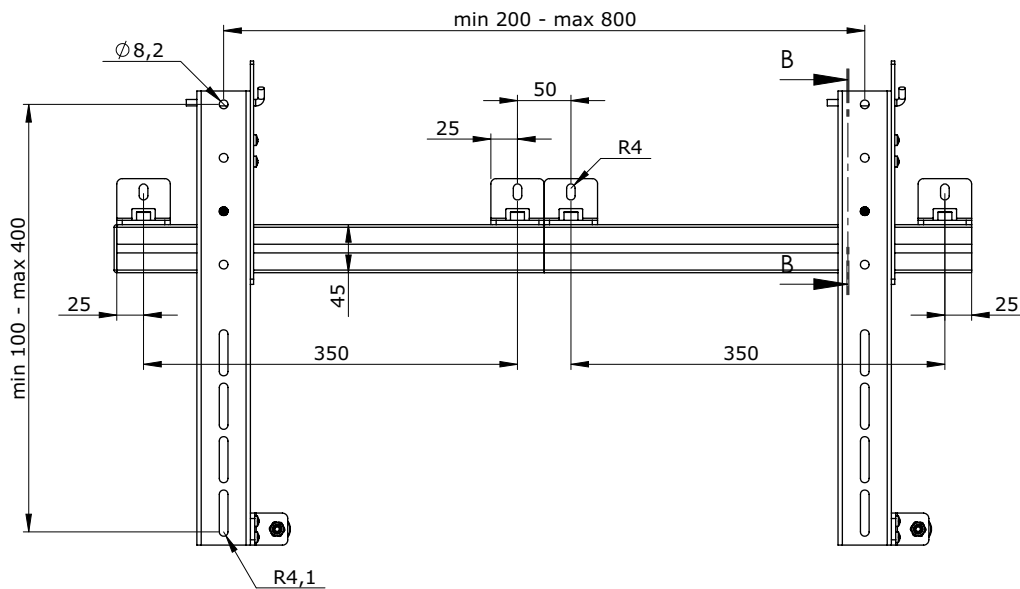
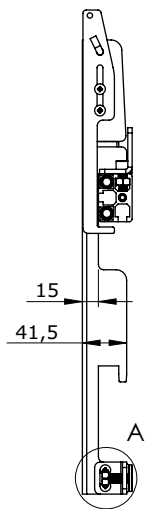
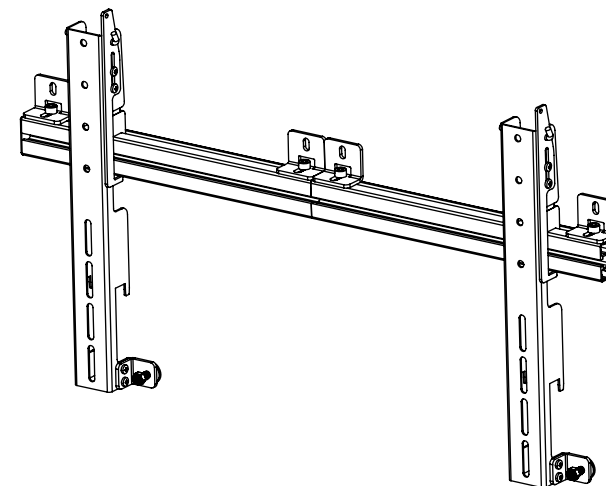
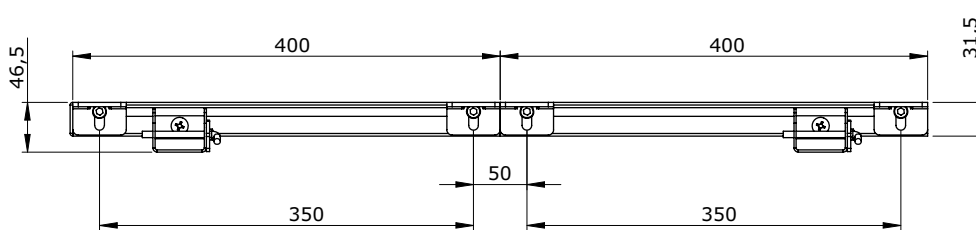
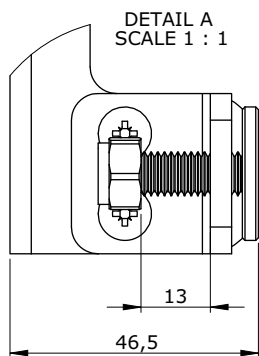
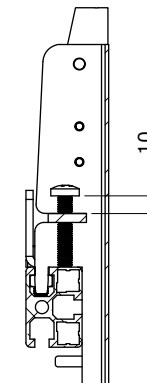


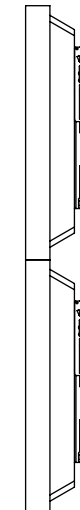
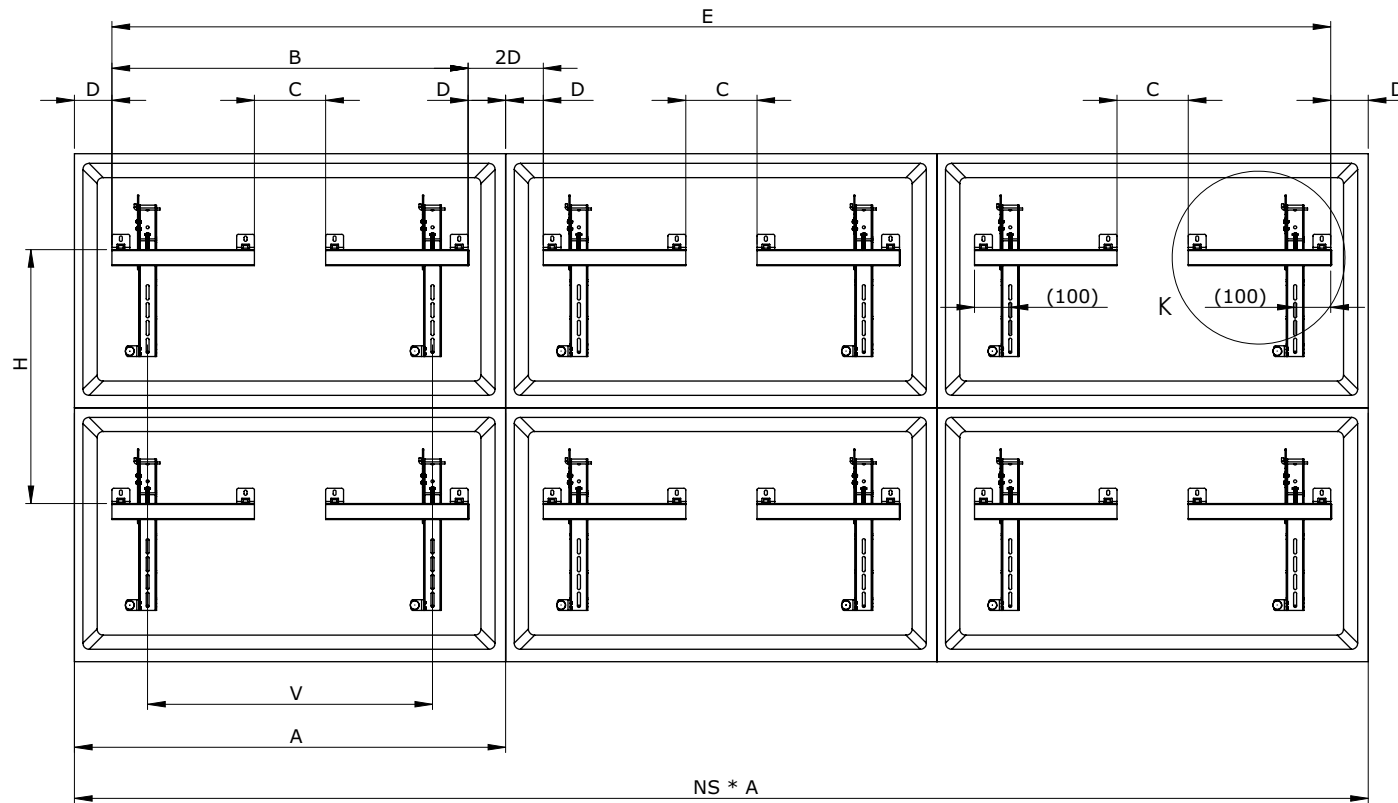
SMS Multi Display Wall Dimensions (in mm)



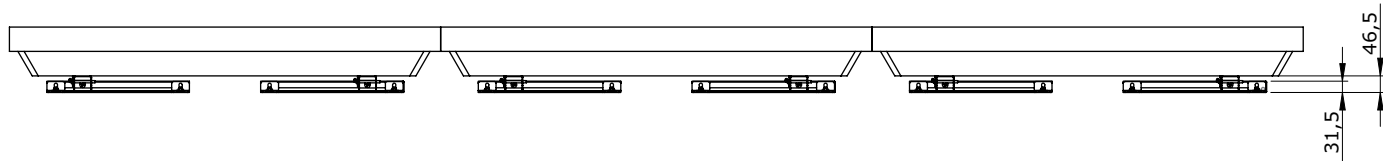
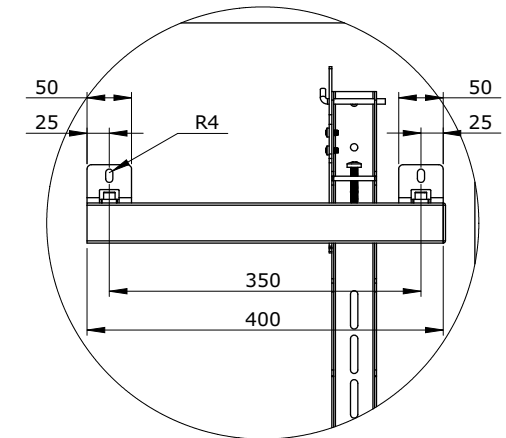
SECTION B-B
SCALE 1 : 3



SMS Multi Display Wall Holepattern in the wall Dimensions (in mm)



DETAIL K
SCALE 1 : 6



Vesa V=200/300/400/500 and max 600

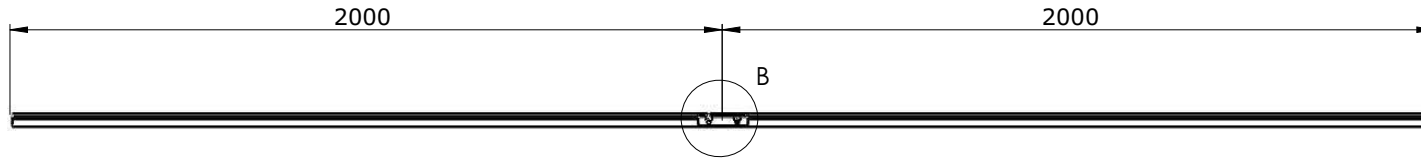
$$\begin{aligned}
 B &= 800 \\
 C &= 0 \\
 D &= (A-B)/2 \\
 E &= (NS \cdot A) - (2 \cdot D)
 \end{aligned}$$

Vesa V > 600/700 and max 800

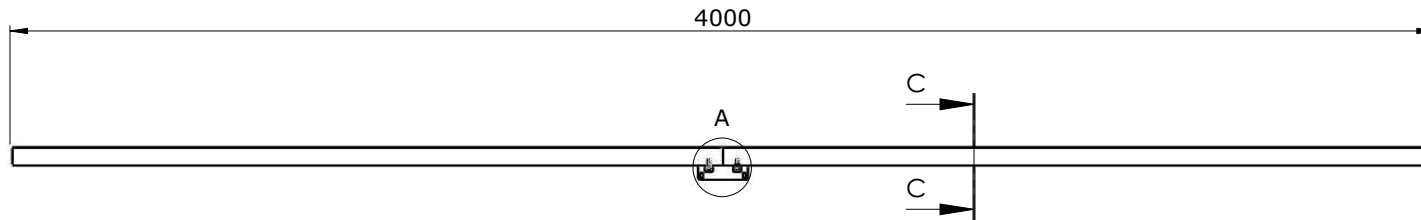
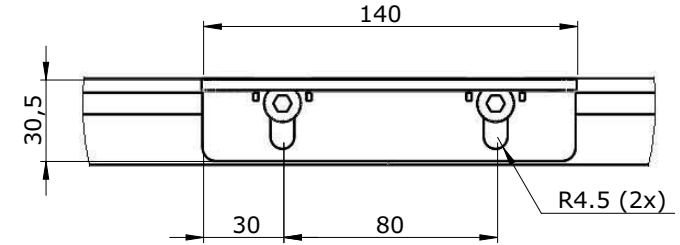
$$\begin{aligned}
 B &= (V+200) \\
 C &= (B-800) \\
 D &= (A-B)/2 \\
 E &= (NS \cdot A) - (2 \cdot D)
 \end{aligned}$$

NS=Number of screens
A =Screen width
V =Vesa holepattern
H= Screen height

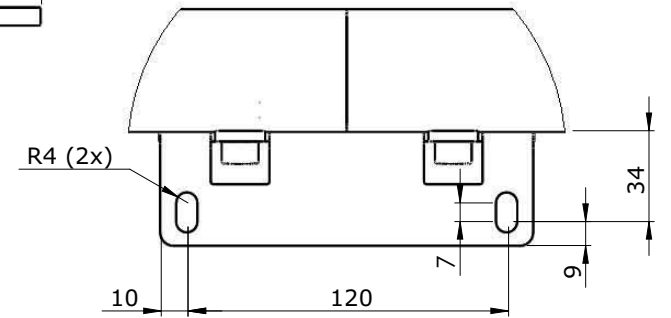
PW010006 PW010006 SMS Multi Display Wall Pillar 2*2000 Dimensions in mm



DETAIL B
SCALE 1 : 2



DETAIL A
SCALE 1 : 2



SECTION C-C
SCALE 1 : 1

