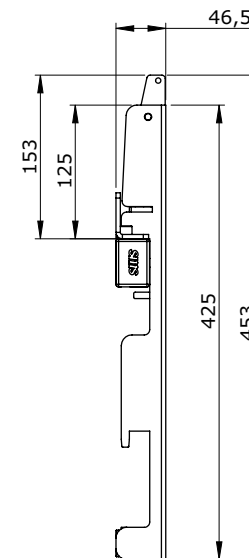
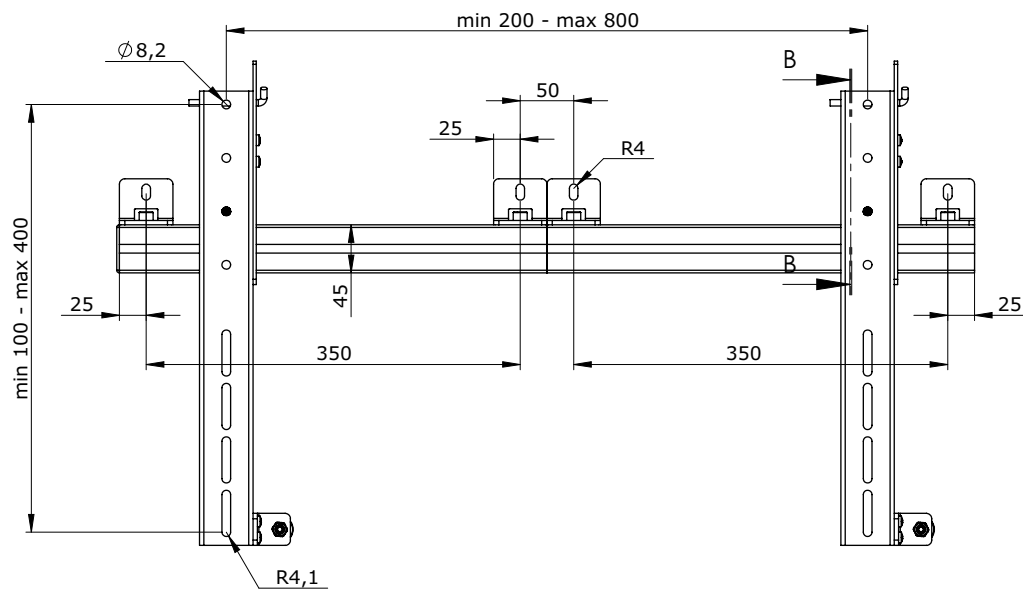
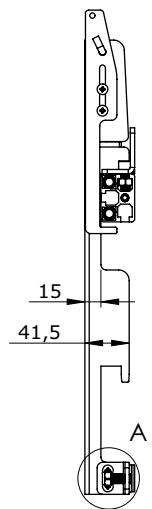
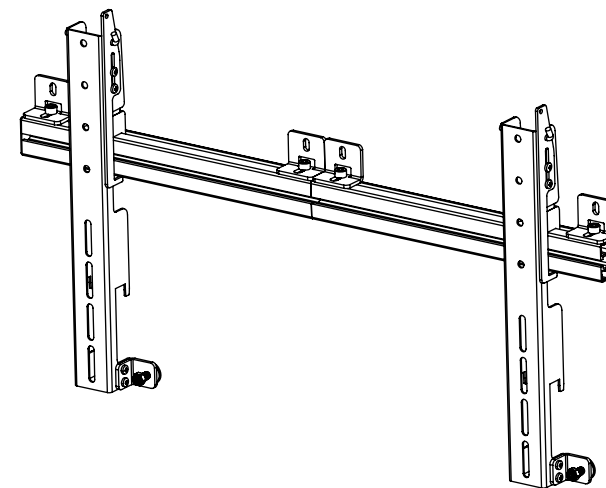
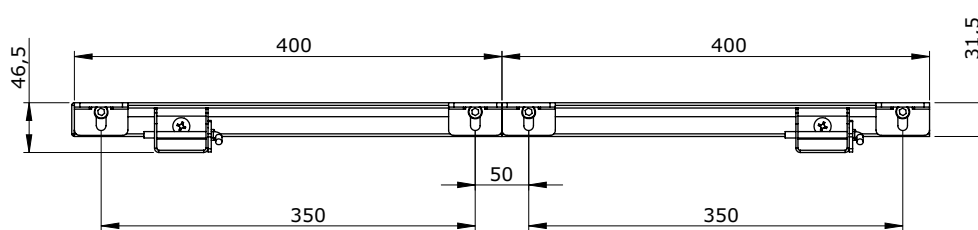
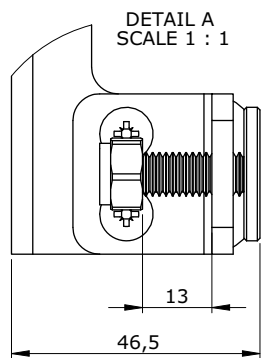
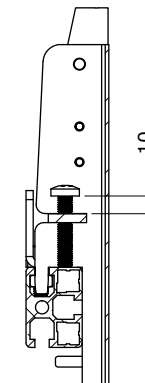


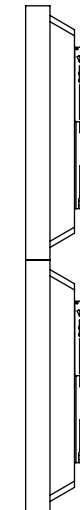
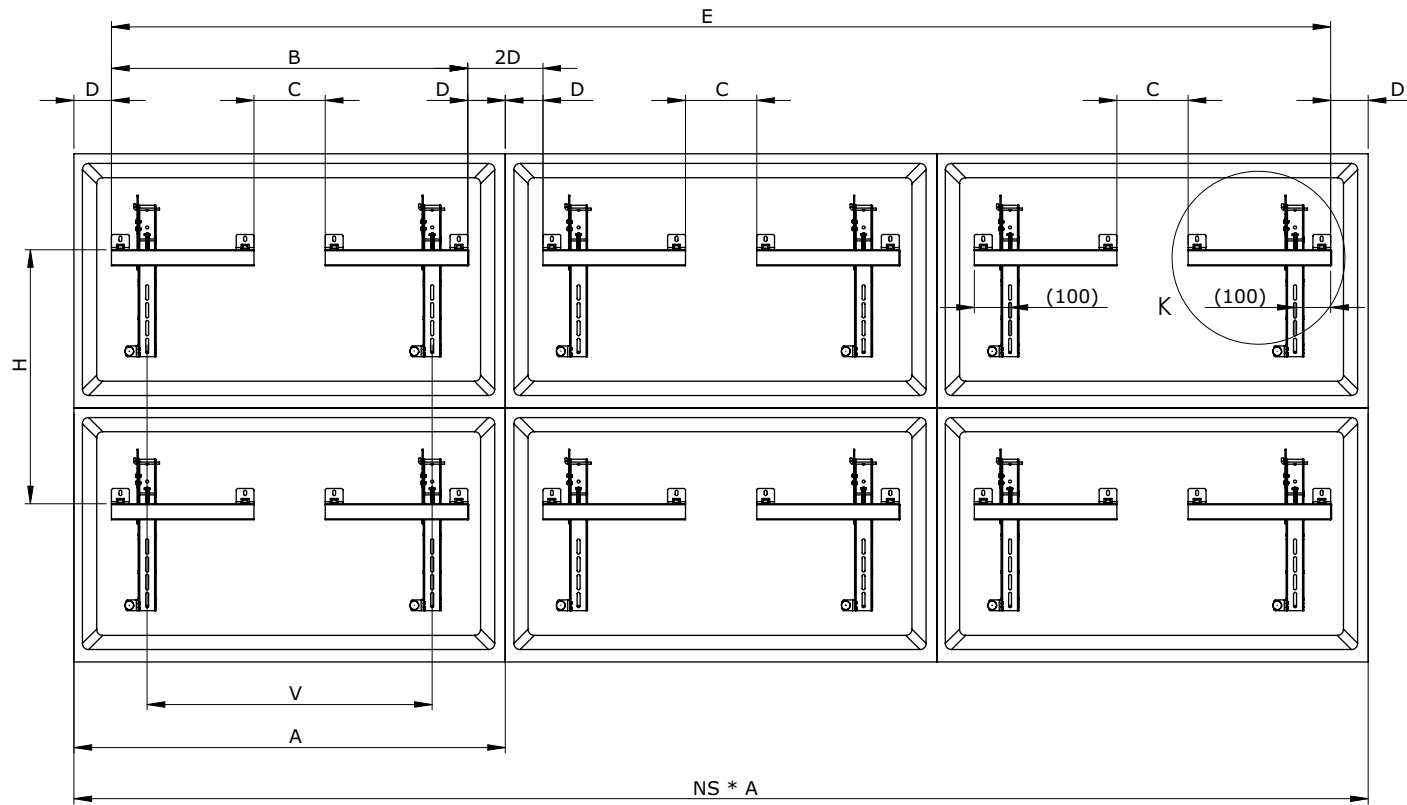
SMS Multi Display Wall Dimensions (in mm)



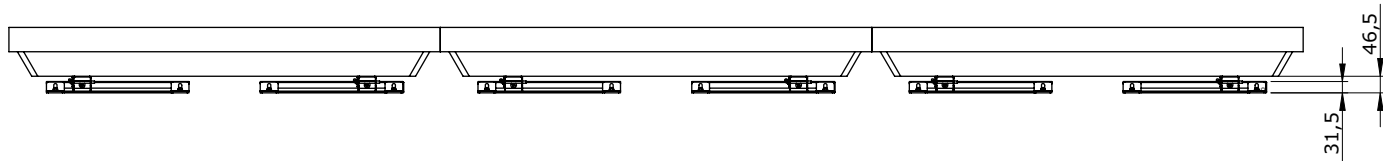
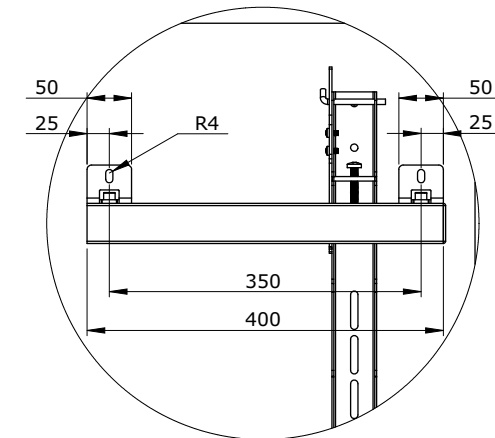
SECTION B-B
SCALE 1 : 3



SMS Multi Display Wall Holepattern in the wall Dimensions (in mm)



DETAIL K
SCALE 1 : 6



Vesa V=200/300/400/500 and max 600
 B=800
 C=0
 D=(A-B)/2
 E=(NS*A)-(2*D)

Vesa V > 600/700 and max 800
 B=(V+200)
 C=(B-800)
 D=(A-B)/2
 E=(NS*A)-(2*D)

NS=Number of screens
 A =Screen width
 V =Vesa holepattern
 H= Screen height