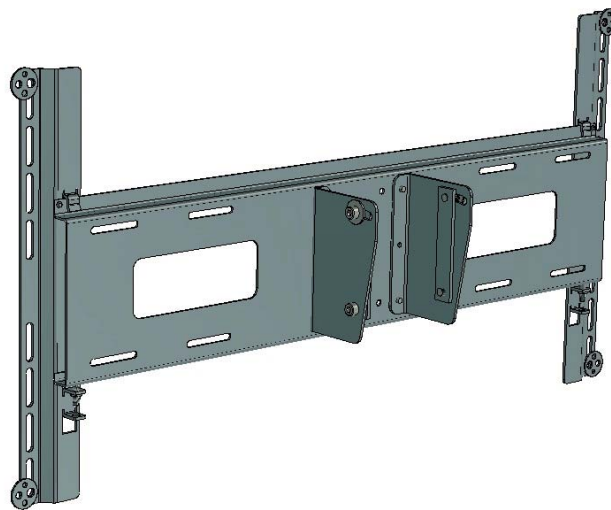
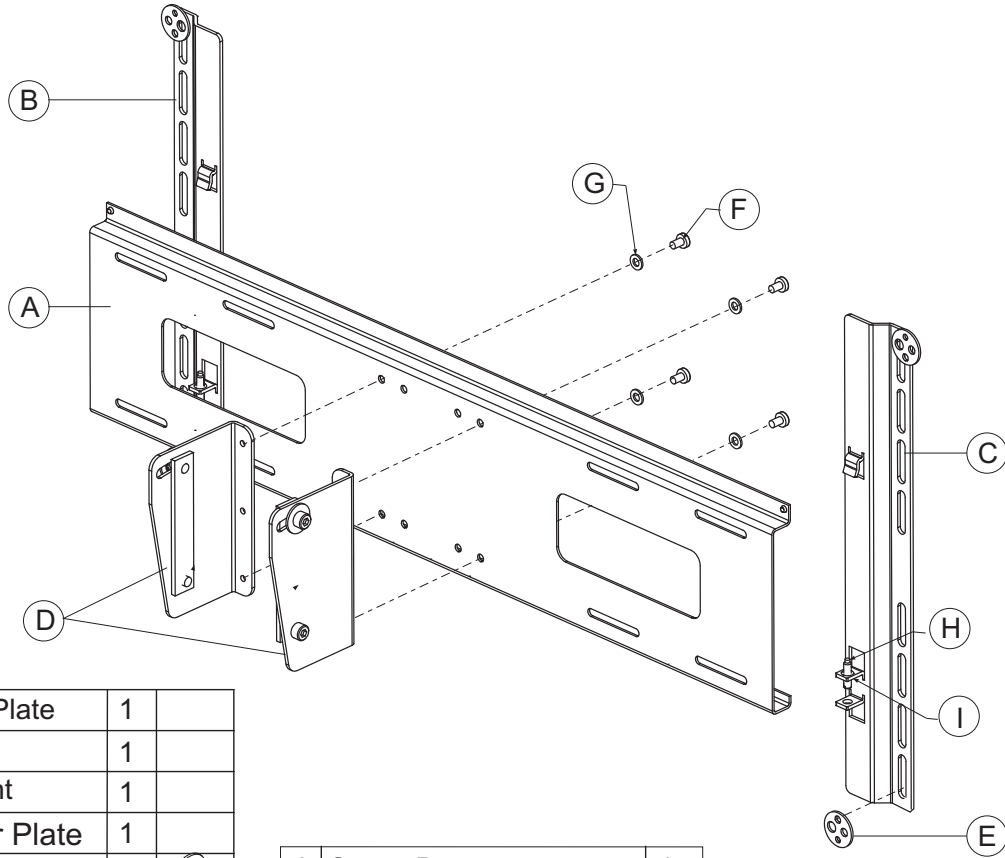
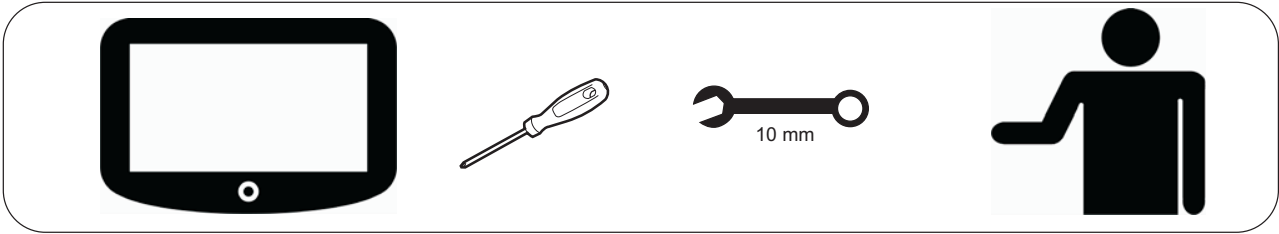


MANUAL

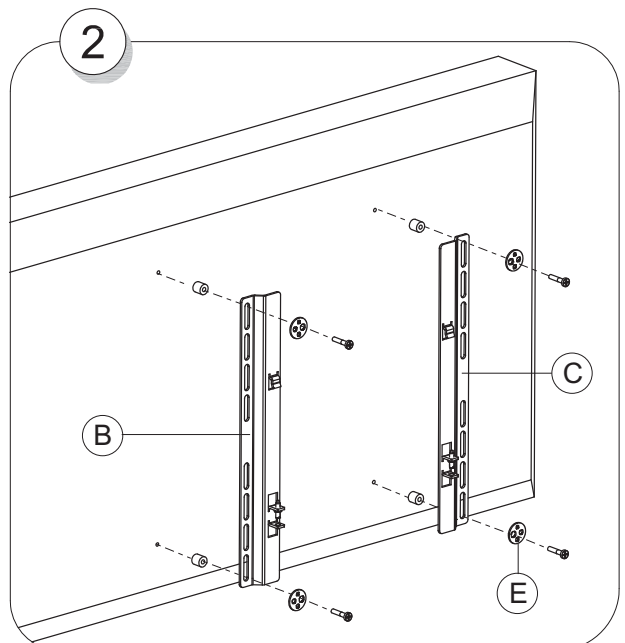
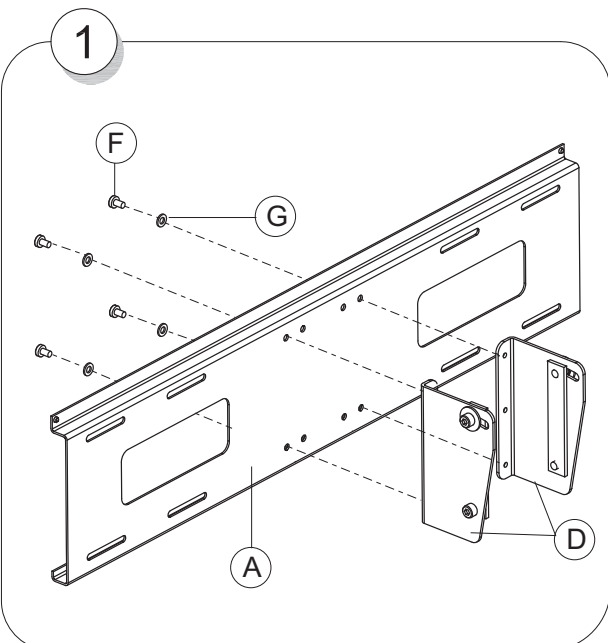
- GB – Instructions for Mounting
- DE – Montageinformation
- IT – Istruzioni per il montaggio
- ES – Instrucciones para el montaje
- FI – Asennusohjeet
- FR – Instructions de montage
- NL – Montagevoorschriften
- PL – Instrukcja montażu
- RUS – Инструкция по монтажу
- ARB – إرشادات التركيب
- SE – Monteringsinstruktion
- GR – Πληροφορίες συναρμολόγησης





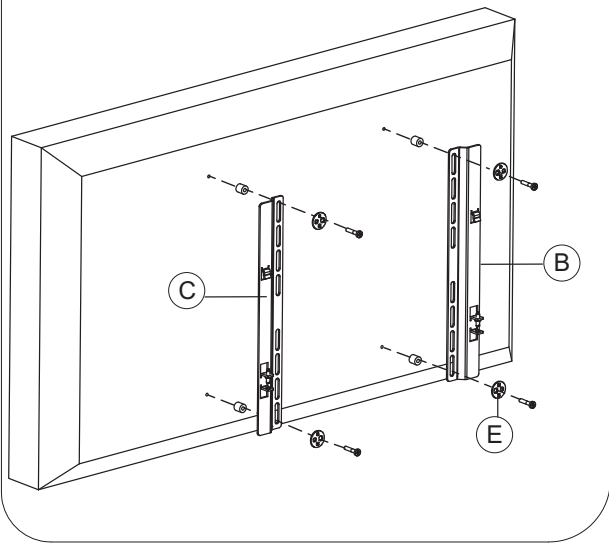
A	Central Plate	1	
B	Bar Left	1	
C	Bar Right	1	
D	Adapter Plate	1	
E	Multiple Washer	4	
F	Screw M6x10	4	
G	Washer 6,4	4	
H	Screw M6x25	2	
I	Nut M6	2	

J	Screw Bag	1
	Screw M6x16	4
	Screw M6x30	4
	Screw M8x20	4
	Screw M8x40	4
	Plastic Spacer 8,2/15x15	4
	Plastic Spacer 8,2/15x10	4

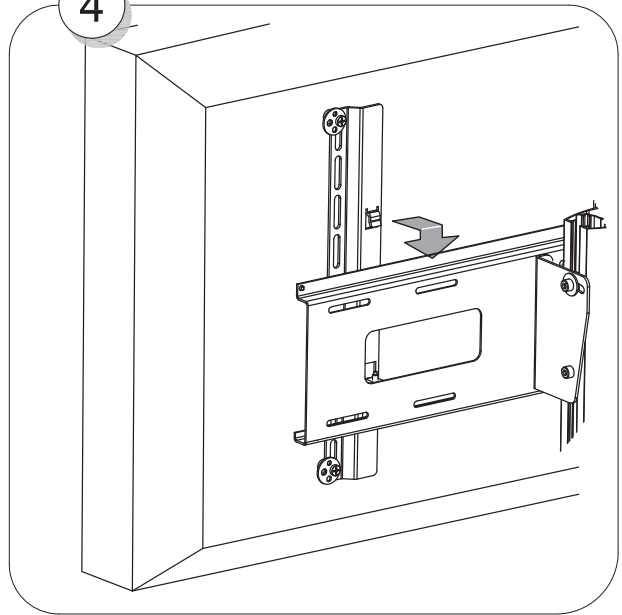


3

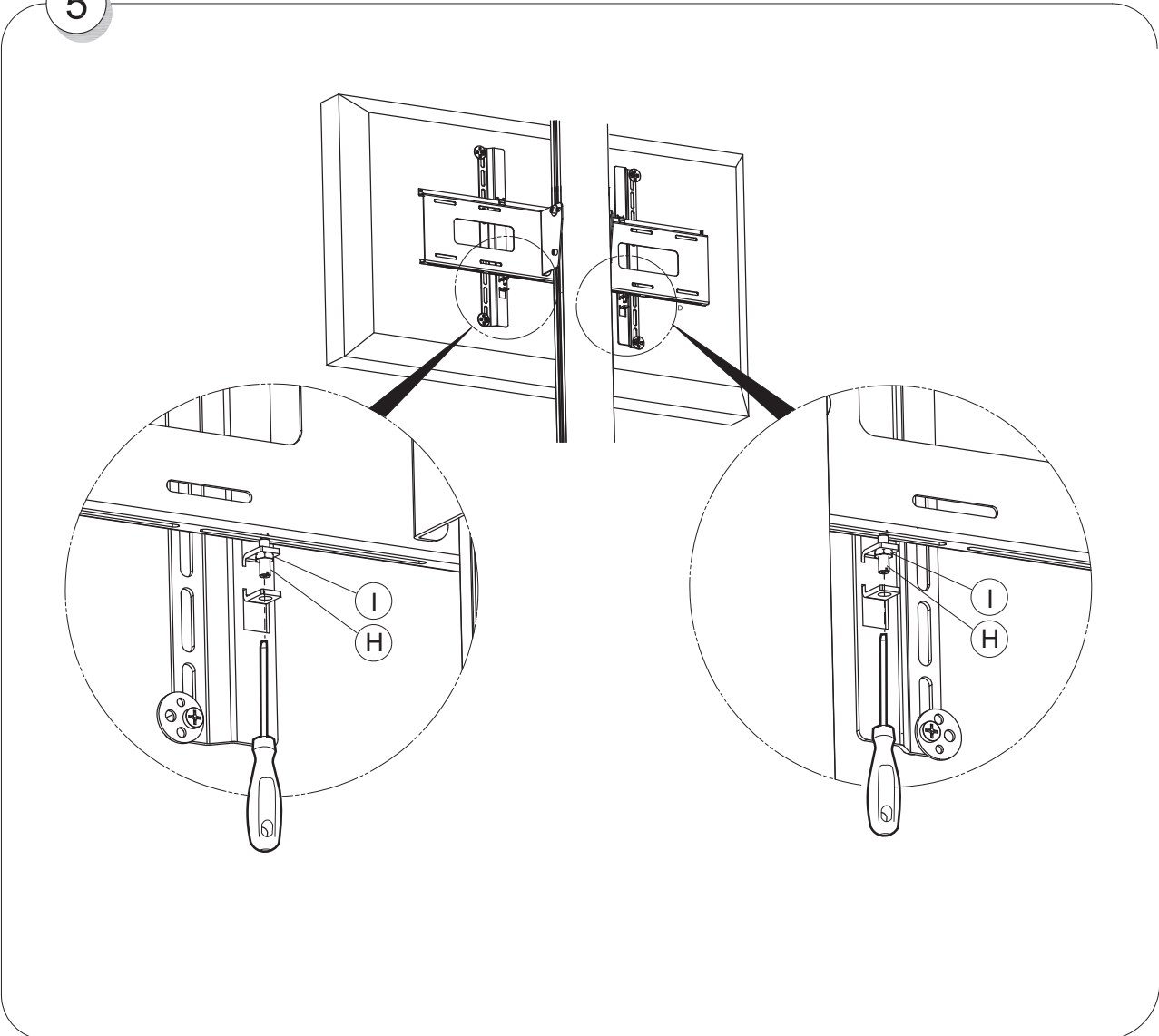
Alternative installing vertical plates



4



5





www.SmartMediaSolutions.se

SMS Smart Media Solutions AB, Hästholmsvägen 32, SE-131 30 Nacka, +46 (0)8 448 26 60