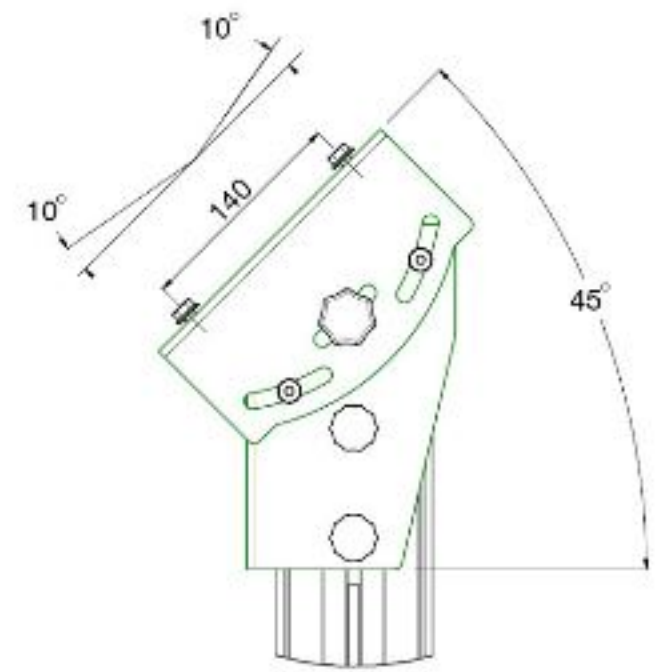
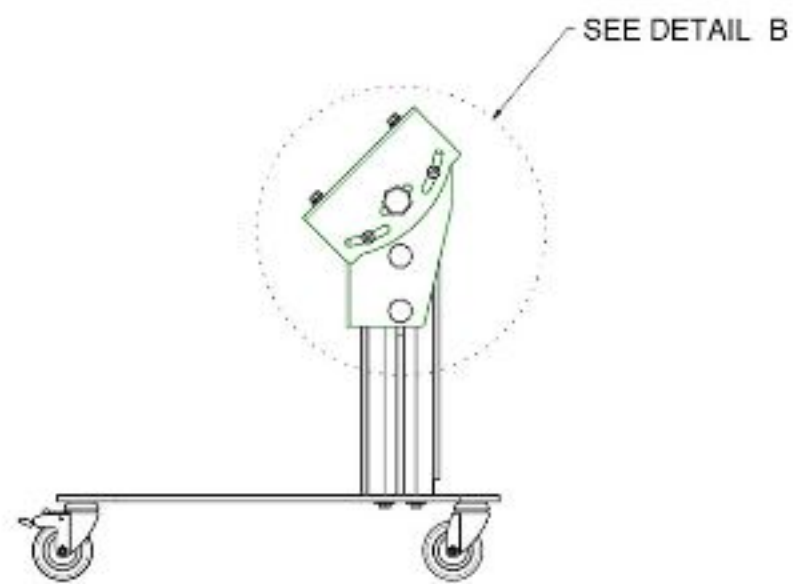
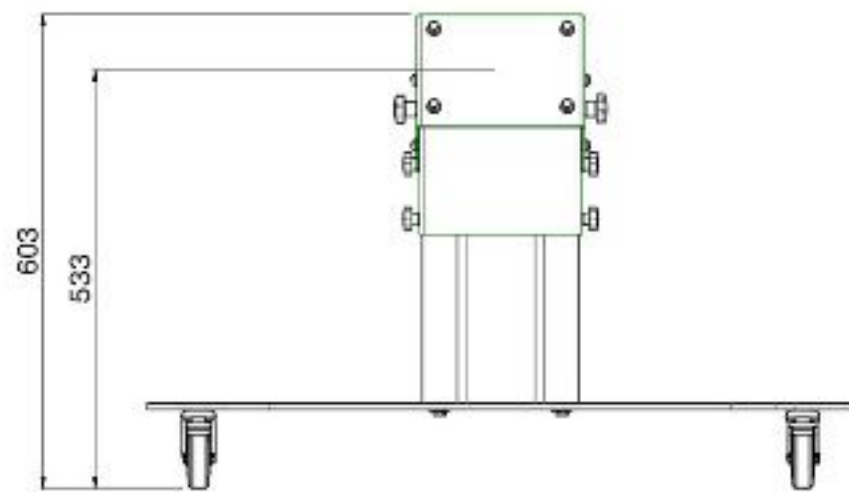


DETAIL A
SCALE 0.150



DETAIL B
SCALE 0.150