

## Model Numbers

**WARRANTY: Limited 5-year**

<b>ST650P</b>	SmartMount® Universal Tilt Wall Mount for 39" to 75" Displays - standard models
<b>ST650</b>	SmartMount® Universal Tilt Wall Mount for 39" to 75" Displays - security models

## Product Specifications

	DIMENSIONS (W x H x D)	PRODUCT WEIGHT	LOAD CAPACITY	FINISH	AVAILABLE COLORS
<b>ST650(P)</b>	31.26" x 16.89" x 2.62"-5.40" (794 x 429 x 67-137mm)	8.15lb (3.70kg)	175lb (79kg)	Scratch resistant fused epoxy	Semi-gloss black

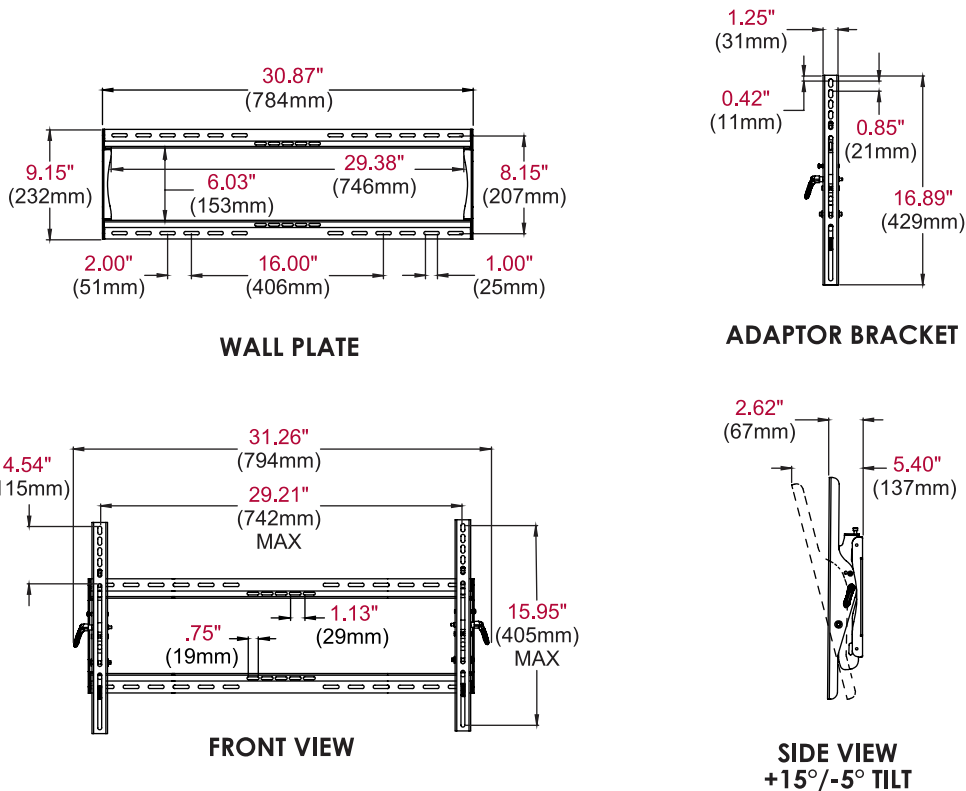
## Package Specifications

	PACKAGE SIZE (W x H x D)	PACKAGE SHIP WEIGHT	PACKAGE UPC CODE	PACKAGE CONTENTS	UNITS IN PACKAGE
<b>ST650(P)</b>	33.19" x 2.95" x 10.71" (843 x 75 x 272mm)	10.35lb (4.70kg)	ST650: 735029235941 ST650P: 735029235965	Wall mount, wall and display installation hardware, installation instructions	1

## Accessories

**ACC415:** Metal Stud Fastener Kit

All dimensions = inch (mm)



## Architect Specifications

The Smartmount® Tilt Wall Mount shall be a Peerless-AV model ST650(P) and shall be located where indicated on the plans. Assembly and installation shall be done according to instructions provided by the manufacturer.

Visit [peerless-av.com](http://peerless-av.com) to see the complete line of AV solutions from Peerless-AV, including outdoor displays, wireless, kiosks, digital audio, display mounts, projector mounts, carts/stands, and a full assortment of accessories.

**Peerless-AV**  
2300 White Oak Circle  
Aurora, IL 60502 USA  
**(800) 865-2112**  
**(630) 375-5100**  
**Fax: (800) 359-6500**

**Peerless-AV Europe**  
Unit 3 Watford Interchange  
Colonial Way, Watford  
Herts, WD24 4WP  
United Kingdom  
**+44 (0) 1923 200100**  
**Fax: +44 (0) 1923 200101**

**Peerless-AV de México**  
Ave de las Industrias 413  
Parque Industrial Escobedo  
Escobedo, N.L.,  
Mexico 66050  
**+52 (81) 8384-8300**  
**Fax: +52 (81) 8384-8360**

**peerless-AV®**

LIT-0594 Rev.4