

<b>SP740P</b>	SmartMount® Pivoting Wall Mount for 22" to 40" Displays
---------------	---

**Product Specifications**

	DIMENSIONS (W x H x D)	PRODUCT WEIGHT	LOAD CAPACITY	FINISH	AVAILABLE COLORS
<b>SP740P</b>	15.35" x 10.15" x 3.03"-21.41" (390 x 258 x 77-315mm)	5.40lb (2.45kg)	80lb (36kg)	Scratch resistant fused epoxy	Semi-gloss black

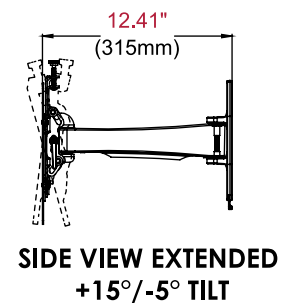
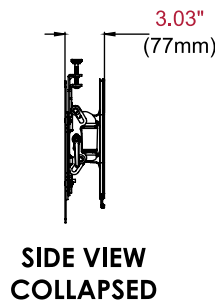
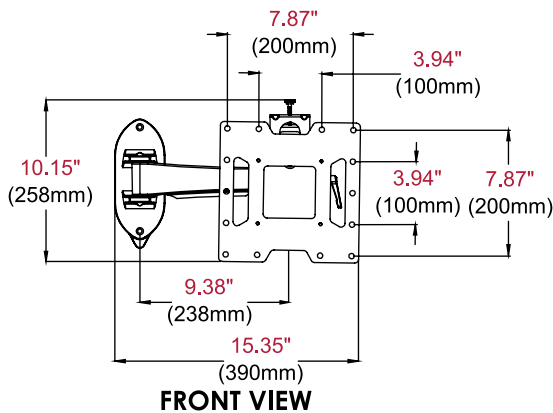
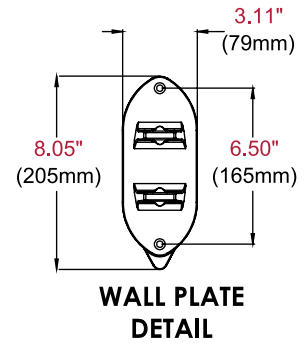
**Package Specifications**

	PACKAGE SIZE (W x H x D)	PACKAGE SHIP WEIGHT	PACKAGE UPC CODE	PACKAGE CONTENTS	UNITS IN PACKAGE
<b>SP740P</b>	20.50" x 4.19" x 12.00" (521 x 106 x 305mm)	7.87lb (3.57kg)	735029237341	Wall mount, wall and display installation hardware, installation instructions	1

**Accessories**

- ACC4X4:** VESA® 400 x 400mm Adaptor Plate
- WSP700/WSP701:** Metal Stud Wall Plates for 16"/24" Center Metal Studs

All dimensions = inch (mm)



**Architect Specifications**

The Smartmount® Pivoting Wall Mount shall be a Peerless-AV model SP740P and shall be located where indicated on the plans. Assembly and installation shall be done according to instructions provided by the manufacturer.

Visit [peerless-av.com](http://peerless-av.com) to see the complete line of AV solutions from Peerless-AV, including outdoor displays, wireless, kiosks, digital audio, display mounts, projector mounts, carts/stands, and a full assortment of accessories.

**Peerless-AV**  
2300 White Oak Circle  
Aurora, IL 60502 USA  
**(800) 865-2112**  
**(630) 375-5100**  
**Fax: (800) 359-6500**

**Peerless-AV Europe**  
Unit 3 Watford Interchange  
Colonial Way, Watford  
Herts, WD24 4WP  
United Kingdom  
**+44 (0) 1923 200100**  
**Fax: +44 (0) 1923 200101**

**Peerless-AV de México**  
Ave de las Industrias 413  
Parque Industrial Escobedo  
Escobedo, N.L.,  
Mexico 66050  
**+52 (81) 8384-8300**  
**Fax: +52 (81) 8384-8360**

