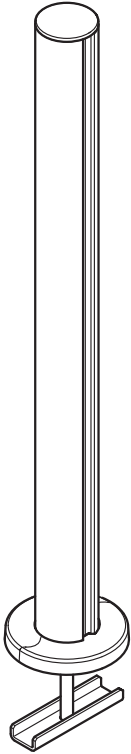
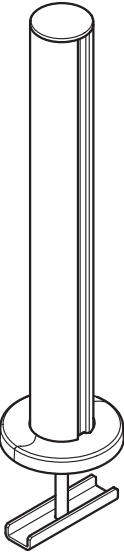




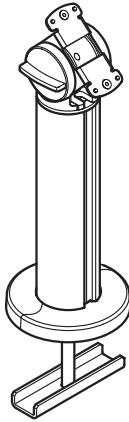
novus[®] RetailSystem base



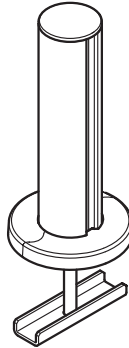
base 600



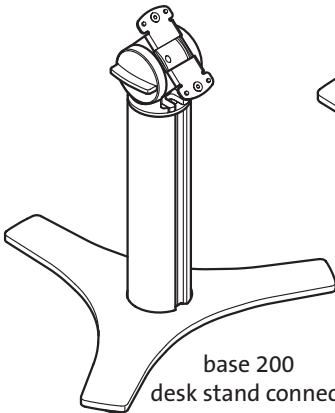
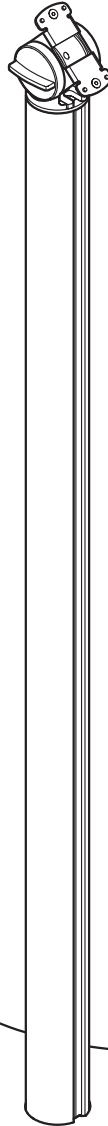
base 400



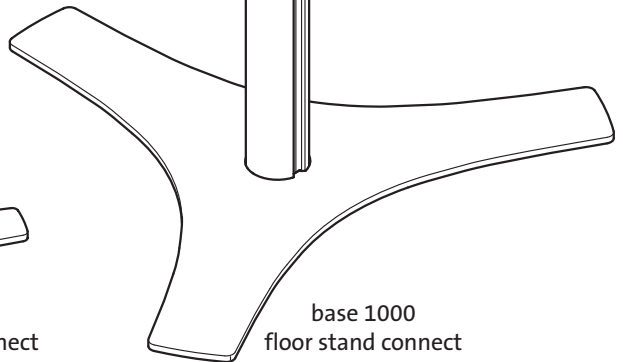
base 200
connect



base 200

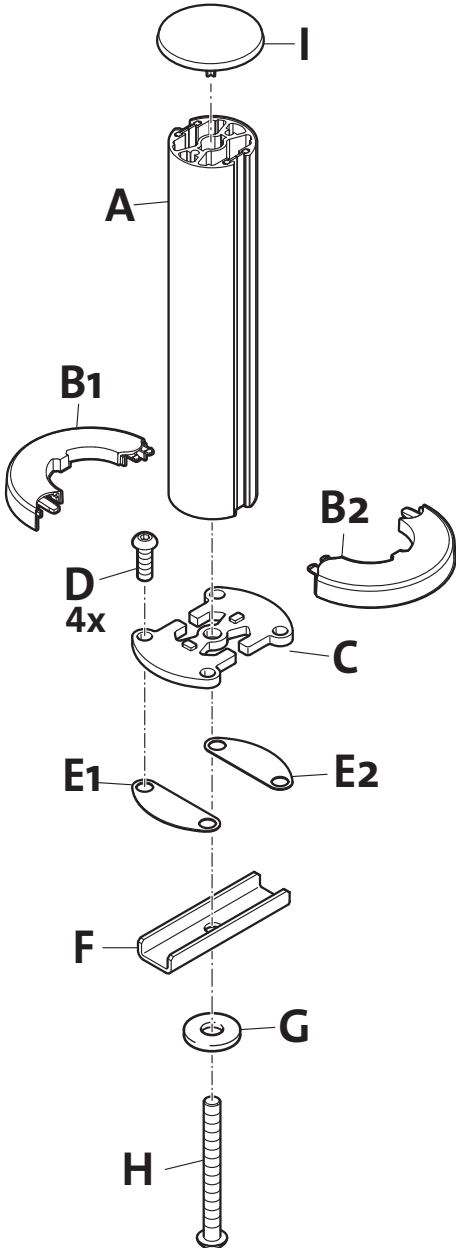


base 200
desk stand connect

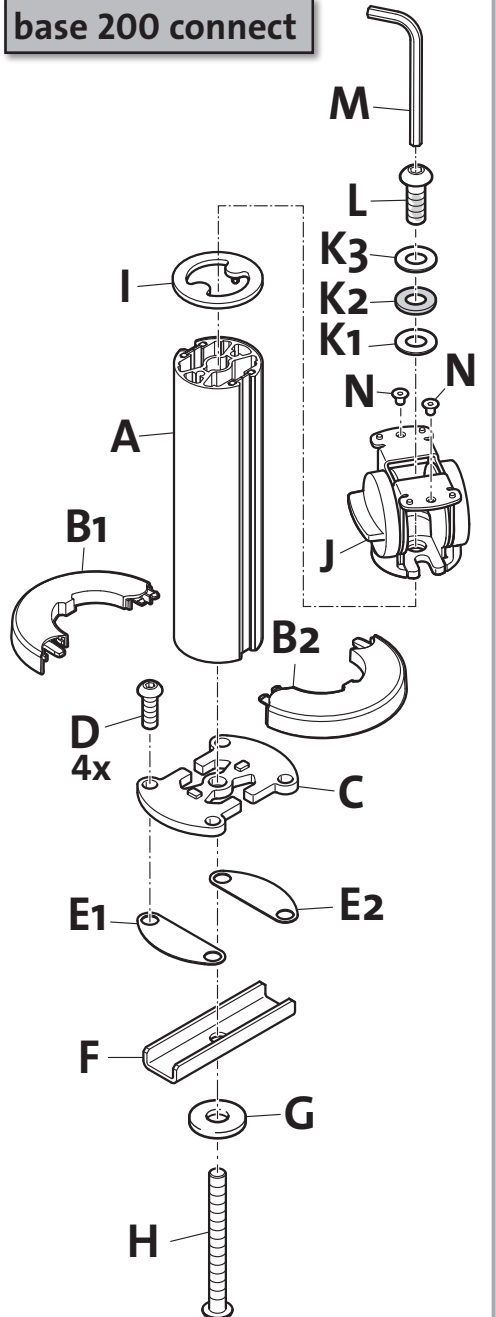


base 1000
floor stand connect

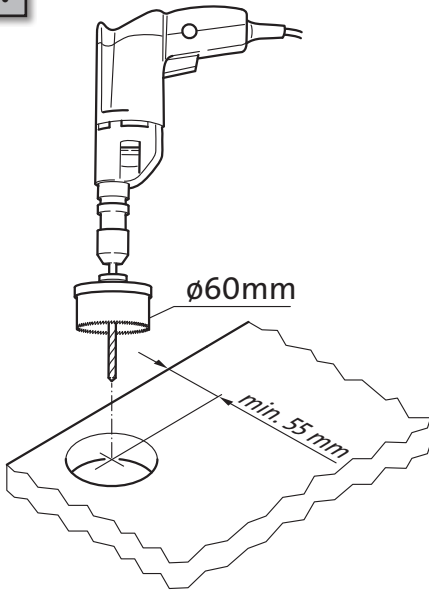
base 200, 400, 600



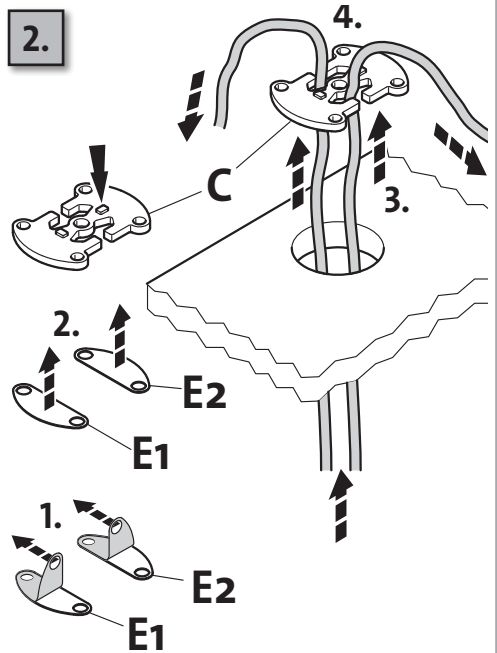
base 200 connect



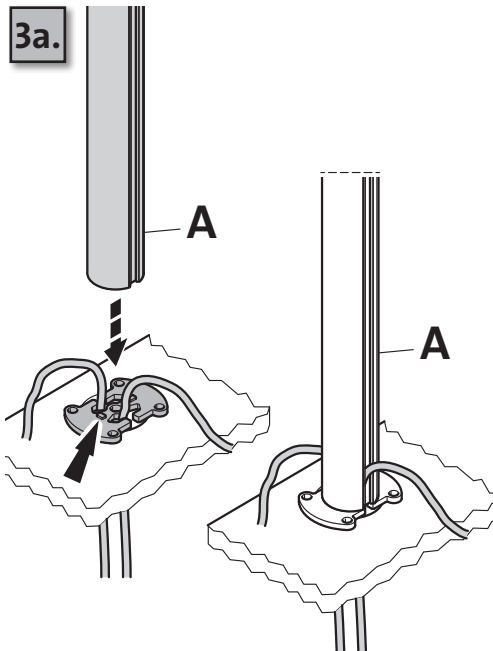
1.



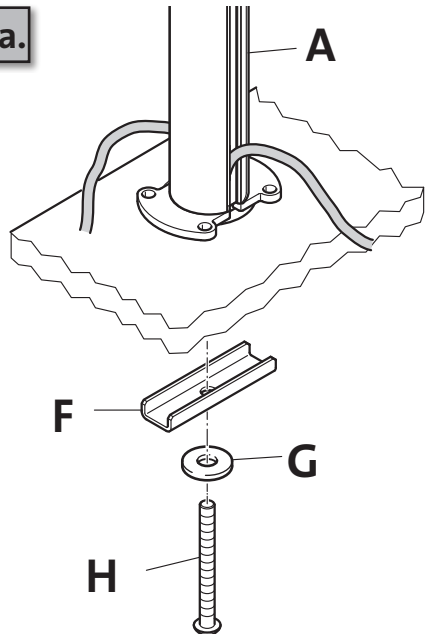
2.



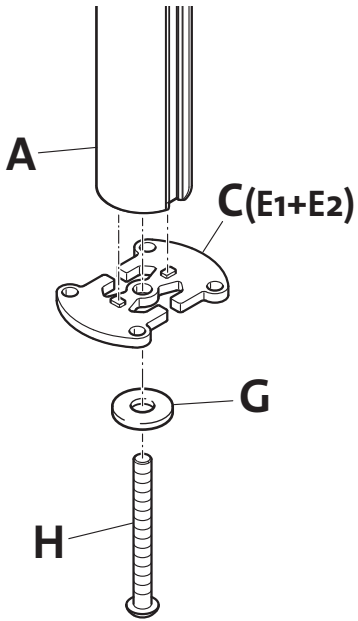
3a.



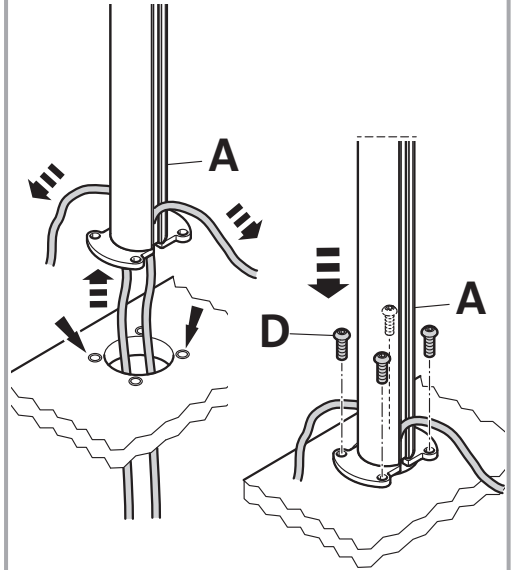
4a.



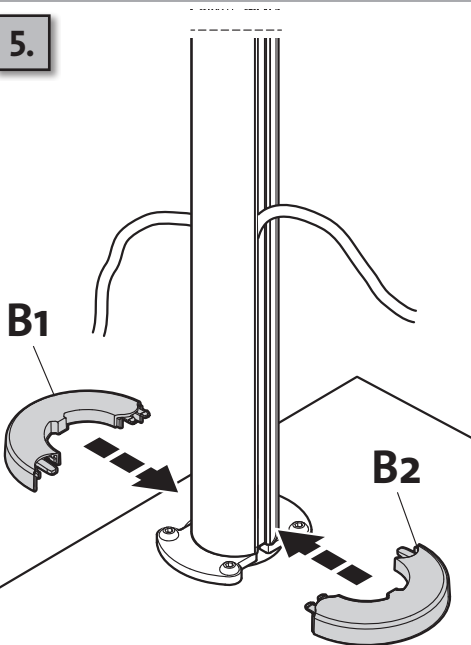
3b.



4b.

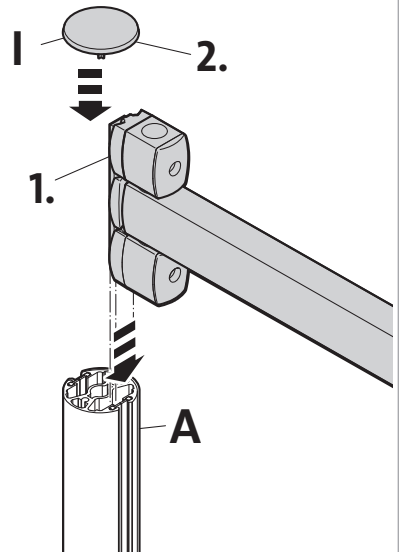


5.



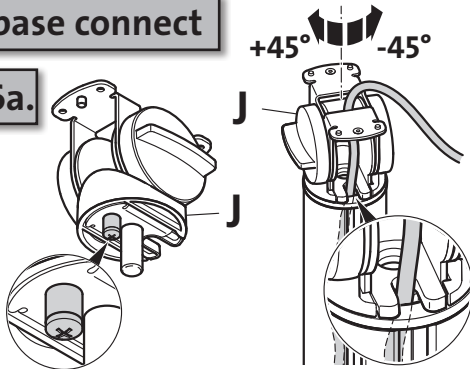
base 200, 400, 600

6.

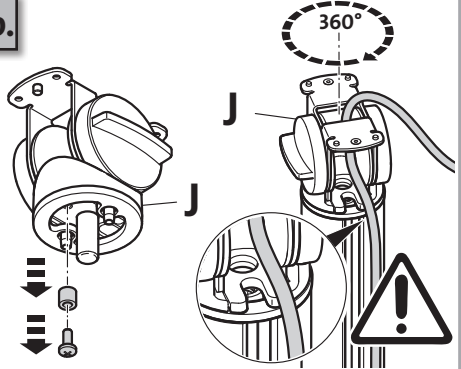


base connect

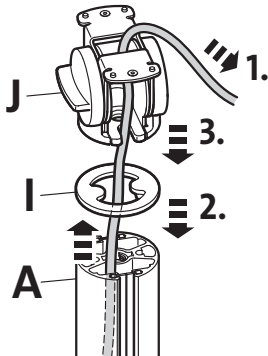
6a.



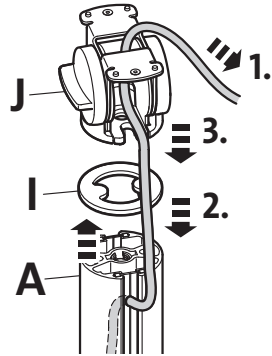
6b.



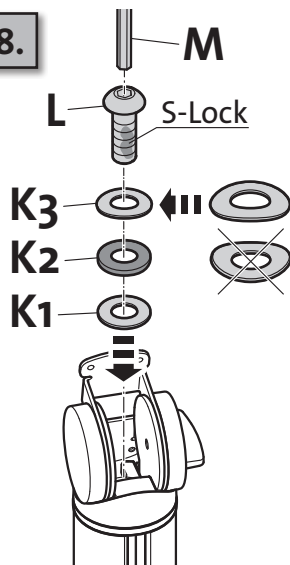
7a.



7b.



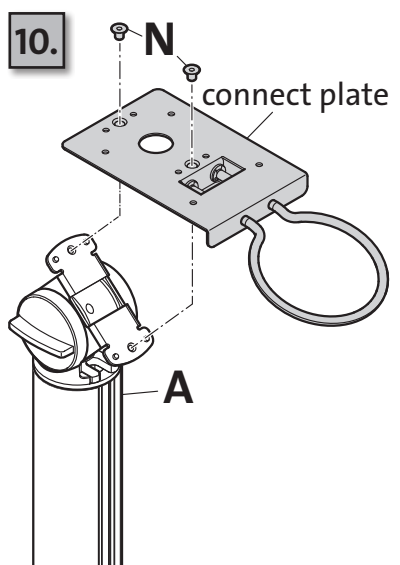
8.



9.

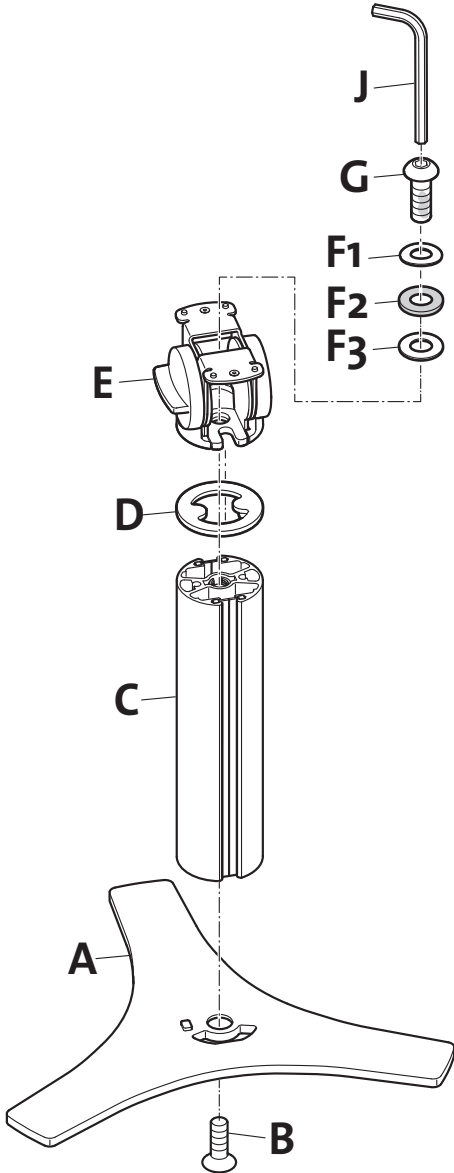


10.

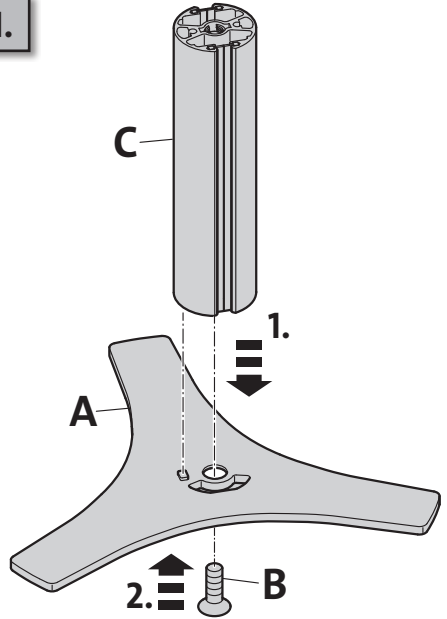


base 200 desk stand connect

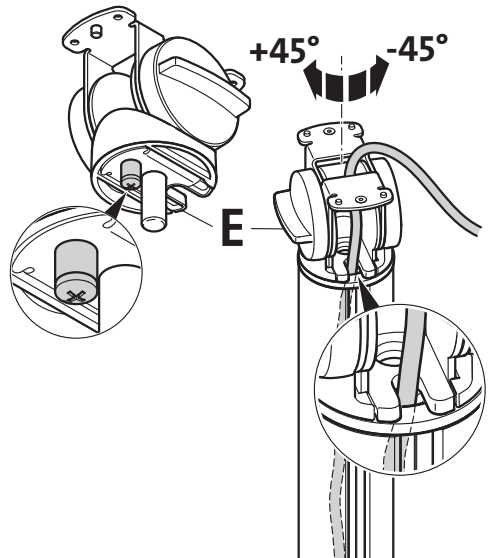
base 1000 floor stand connect



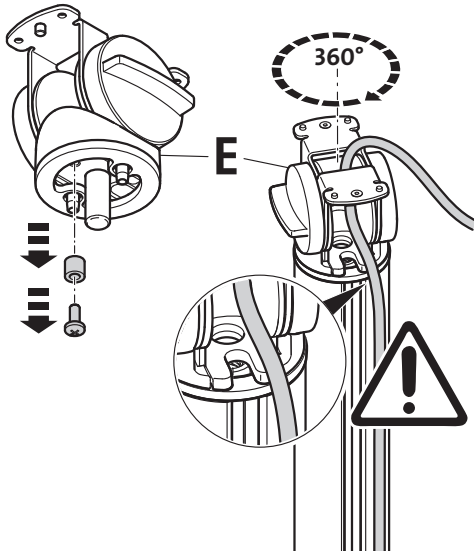
1.



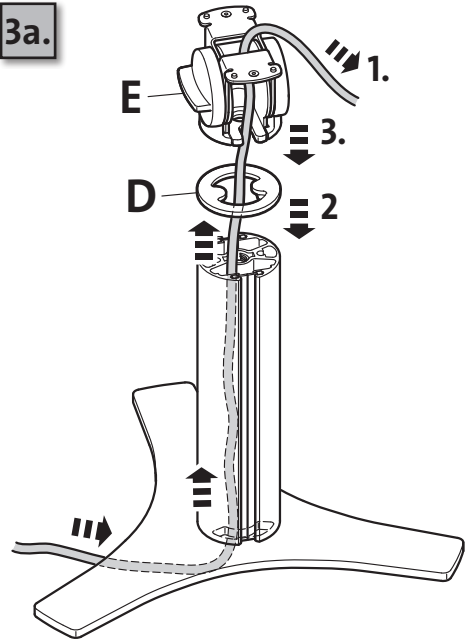
2a.



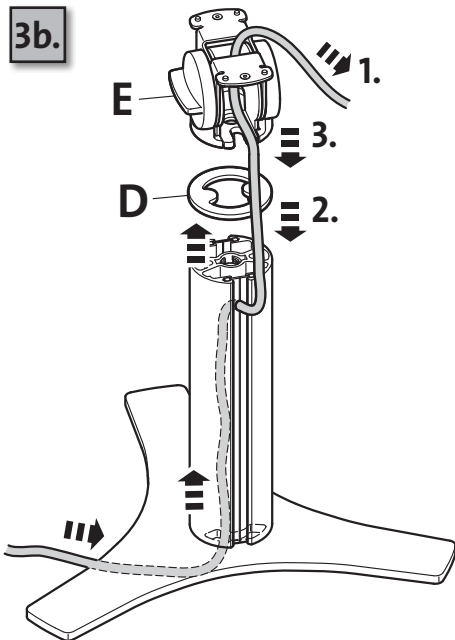
2b.



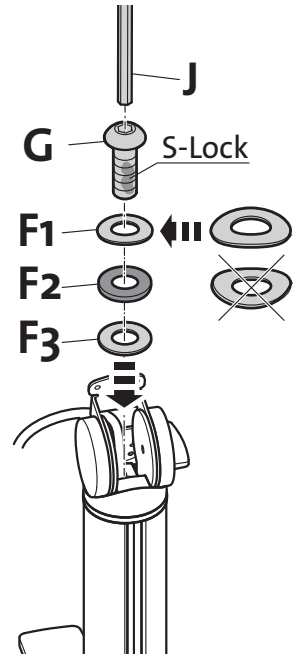
3a.



3b.



4.



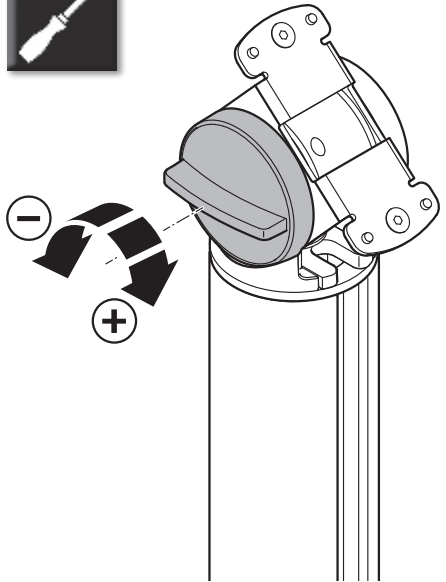
5.



S-Lock



RS tablet safe



Headquarters:

Novus Dahle GmbH & Co. KG
Breslauer Straße 34-38
49808 Lingen
Germany

Service contact:

Novus Dahle GmbH & Co. KG
Hessenweg 53
49811 Lingen
Germany
Tel.: +49 (0) 591 9140-457
Fax: +49 (0) 591 9140-841
E-Mail: info@novus.de
Web: www.novus.de

© Copyright 2017 by Novus Dahle GmbH & Co. KG

NOVUS[®]
www.novus.de

859-1391 09/17 Technische und Design Änderungen vorbehalten! Technical and design modifications reserved!