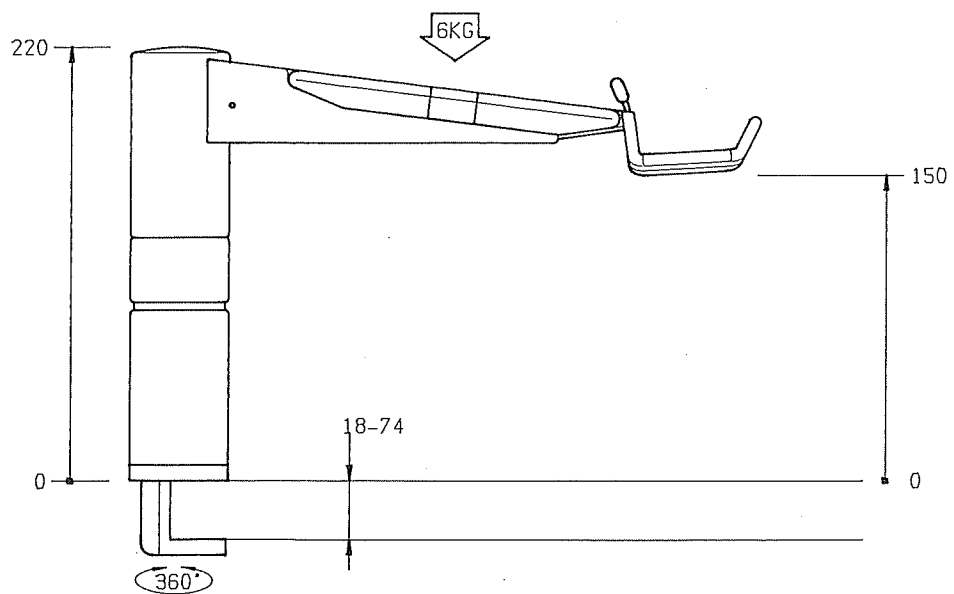
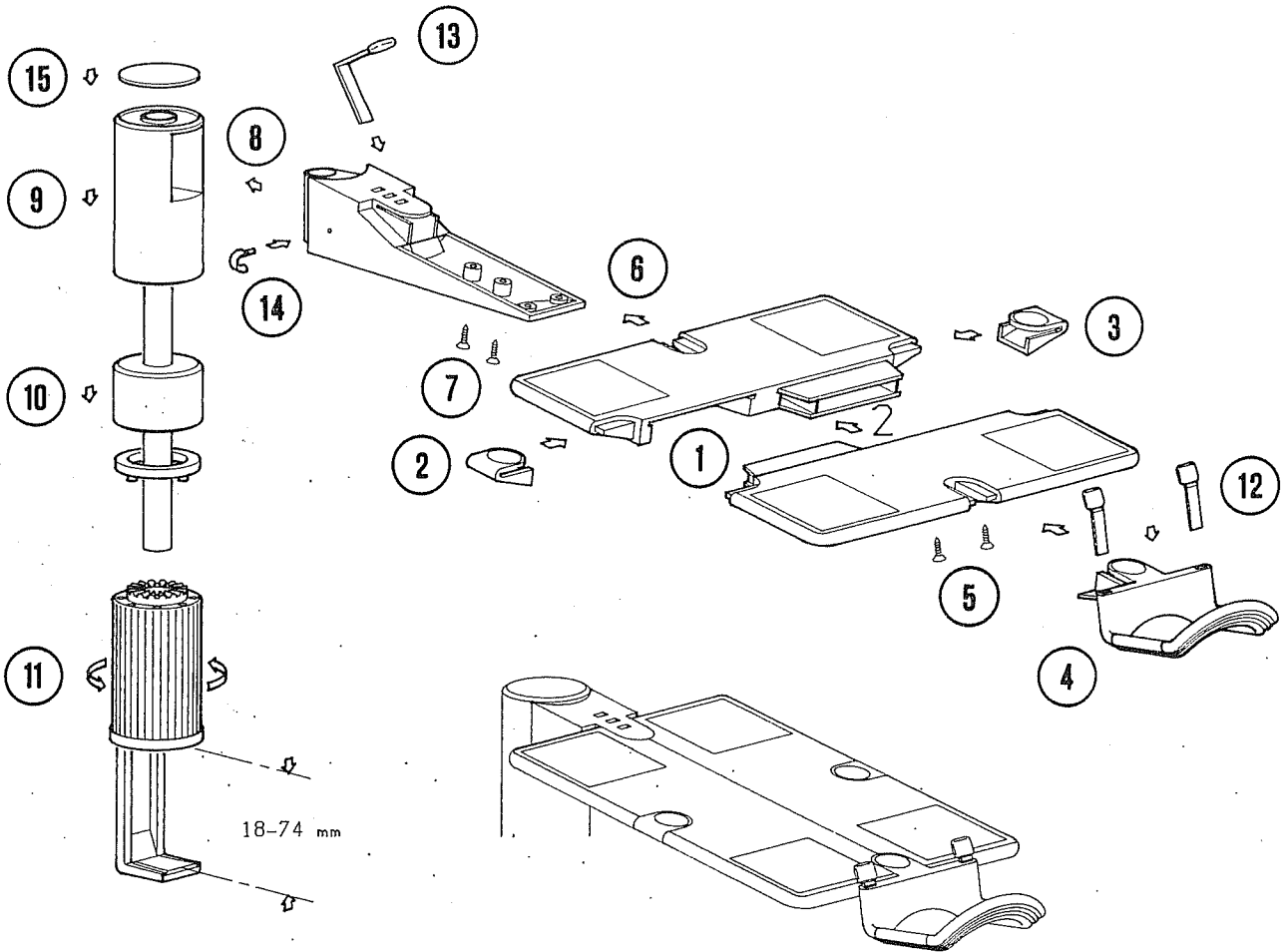
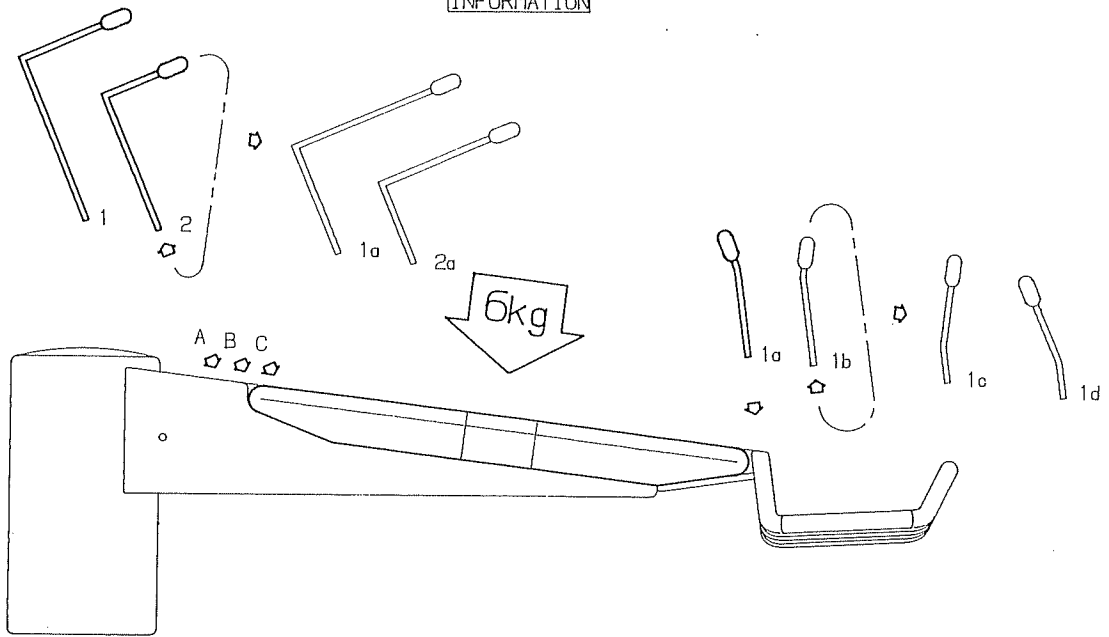


MONTAGE

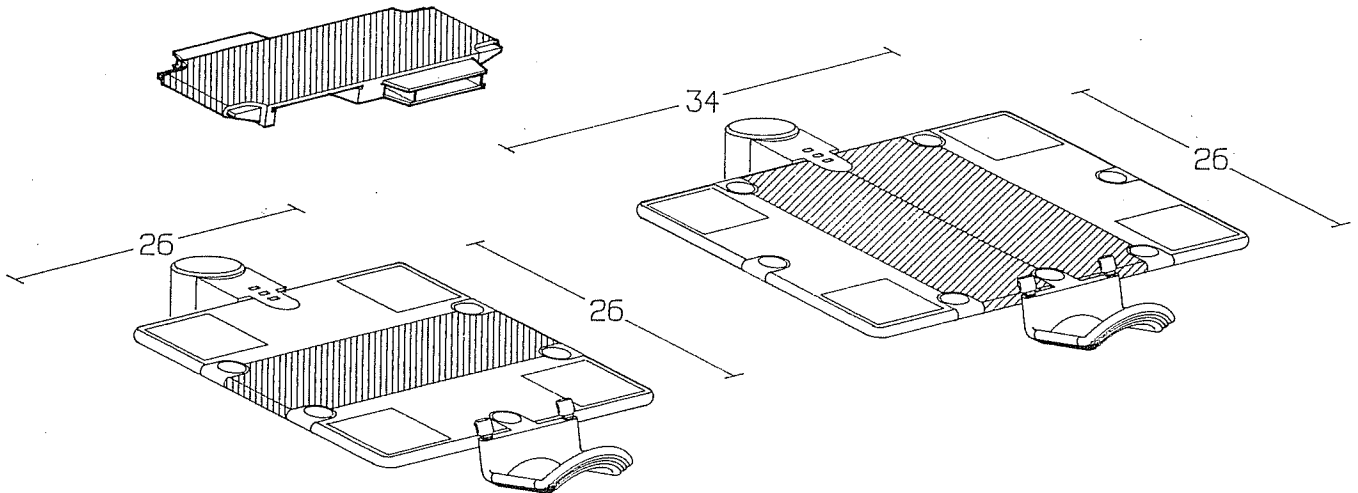


INFORMATION

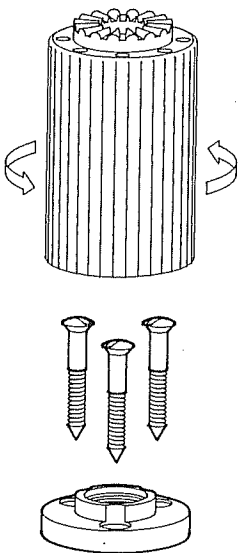


ACCESSOIRE

Nr:795090.

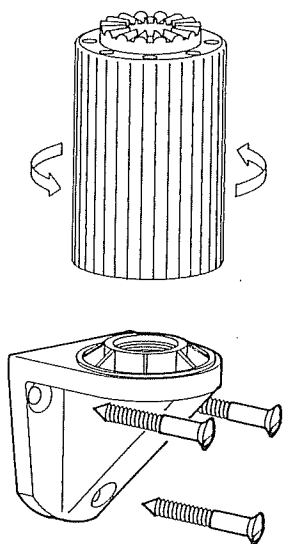


ACCESSOIRE



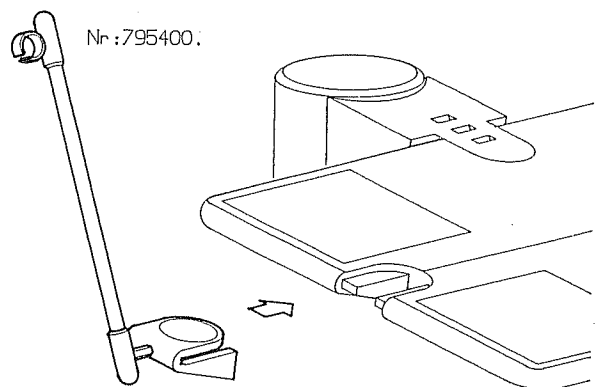
Nr:795150.

ACCESSOIRE



Nr:795200.

ACCESSOIRE



Nr:795400.