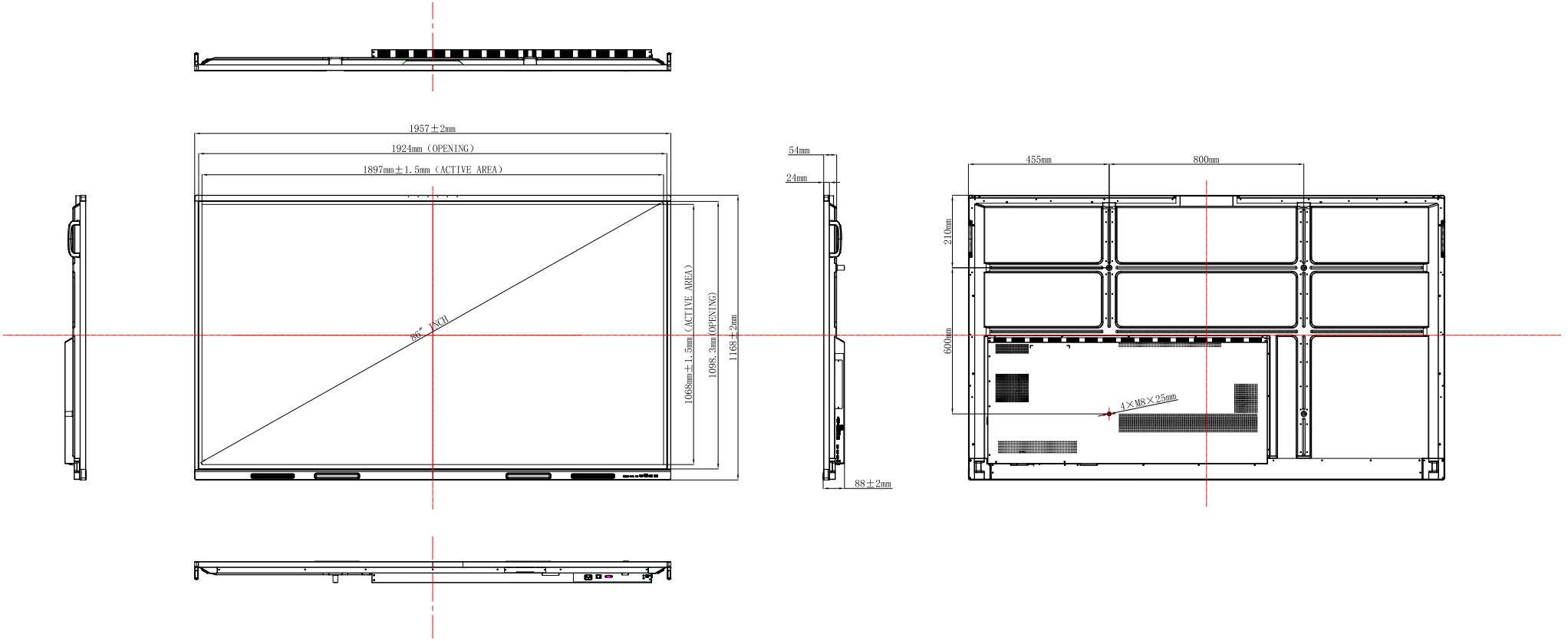


6	7	8
Sign	VER	Date
\	1.0	\
△		
△		
△		

Change Description		Designer
初版发行		\
		\



TOLERANCES (Unless Otherwise Stated)	
尺寸范围	公差
≤63	±0.10
63 < x ≤ 160	±0.15
160 < x ≤ 400	±0.20
400 < x ≤ 1000	±0.25
> 1000	±0.3
Angle	±0.3

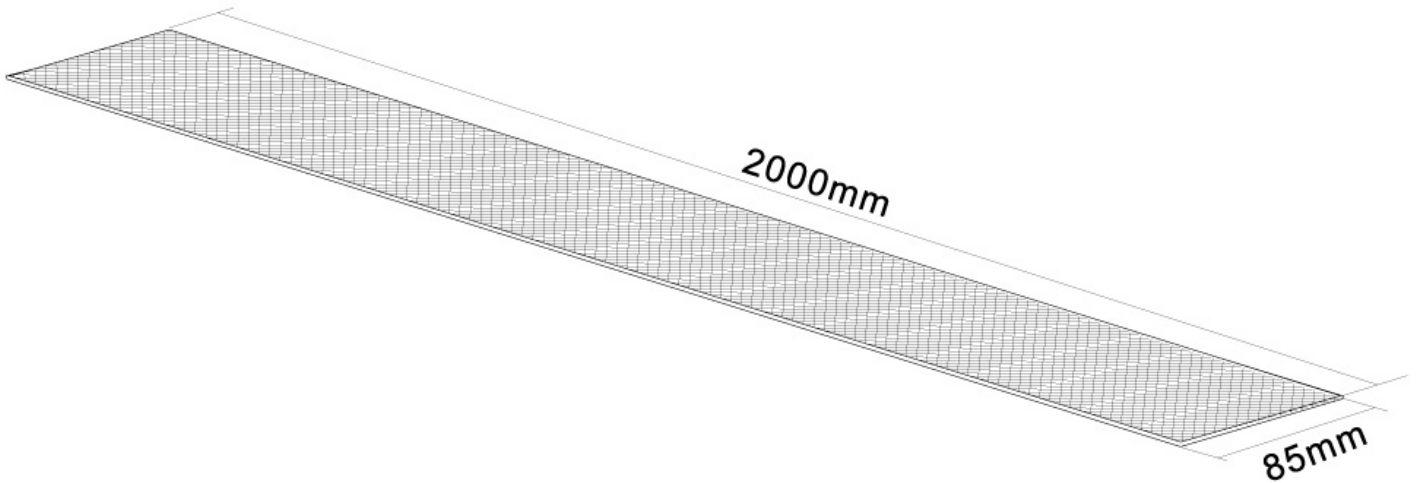
本公司适用于钣金开模件

Third Projection

广州视睿电子科技有限公司 Guangzhou Shirui Electronics Co., Ltd.				
Project NO.	CE86SG-LGA582A-G	Unit	mm	NOTES
Part NO.	CE86SG-LGA582A-G-M099	Scale	1:1	\
Part Name	整机六视图	Size	free	
Material	\	Pages	1/1	\
Color NO.	\	APV		
Designer	方祥			

NS-CS200BLACK

NEOMOUNTS BY NEWSTAR KABELSOCKEN



Neomounts