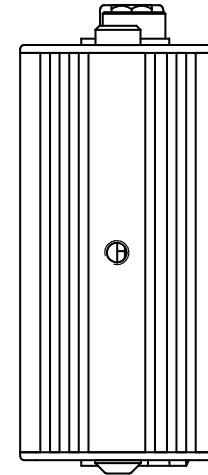
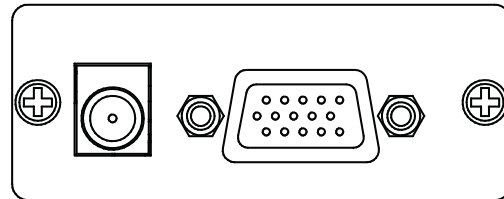
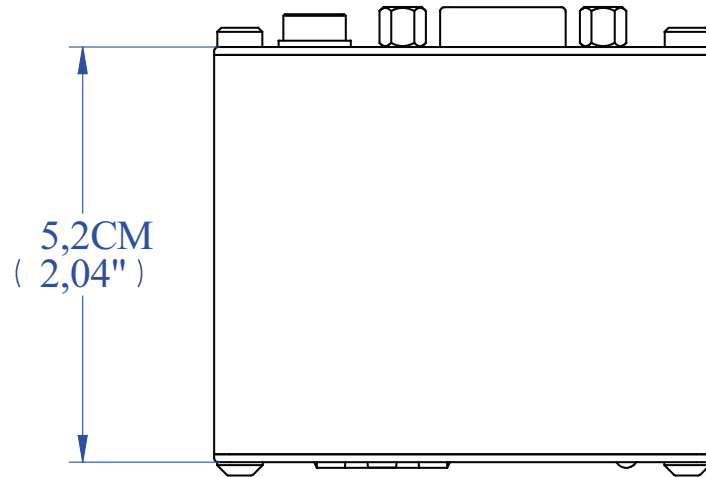
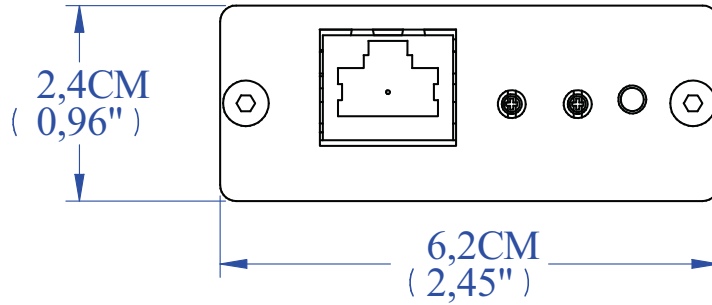



REVISION HISTORY

REV	DESCRIPTION	ECO NO.	DATE	APPROVED
1	PRELIMINARY		DD . MM . YY	



PT-120-EXT

	NAME	DATE	 KRAMER ELECTRONICS LTD. JERUSALEM, ISRAEL
DRAWN	ihassidim	04/May/11	
CHECKED			
ENG APPR			
MGR APPR			PART: PT-120-OUTLINE SIZE A3 KRAMER P.N.: PT-120-OUTLINE REV File name: PT-120-EXT-OUTLINE.dft Project: PT-120 Sheet 1 of 1
UNLESS OTHERWISE SPECIFIED DIMENSIONS ARE IN MILLIMETERS ANGLES ±0.5° LINEAR ±0.2 HOLES +0.2			