

TILTING AND SWIVELLING WALL MOUNTING SOLUTIONS FOR BIG SCREENS



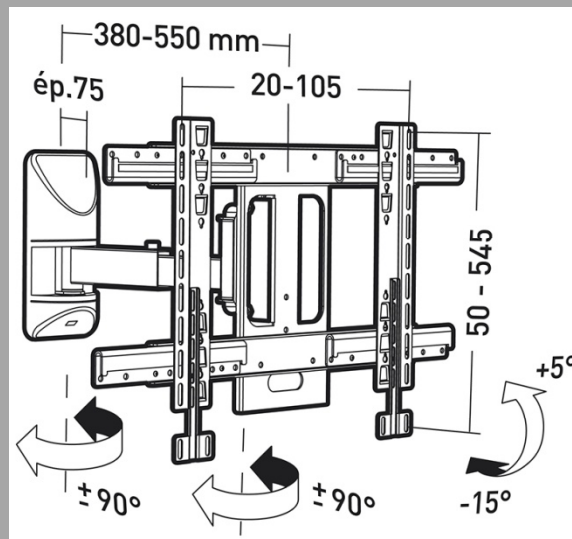
ERARD®

APPLIK #2532

XL 40"-75"
102-190cm



- **SOLID STEEL STRUCTURE**
- **DISTANCE FROM THE WALL 380MM-550MM**
- **ANTI-FALL DEVICE**
- **+/-90° SWIVEL**
 - **INSTALLATION IN A CORNER**
 - **INSTALLATION BETWEEN TWO SPACES (F. EX KITCHEN AND LIVING ROOM)**
- **CAN BE COMBINED WITH OUR ANTI-THEFT KIT**
- **TELESCOPIC ARM**
- **CONTINUOUS ADJUSTMENT TILT AND SWIVEL**
- **SCREEN HORIZONTALITY ADJUSTMENT AFTER DRILLING +/-2-3°**



60KG



VESA
200x800x400



TILT : -15°/+5°
SWIVEL: +/-90°

ERARD®