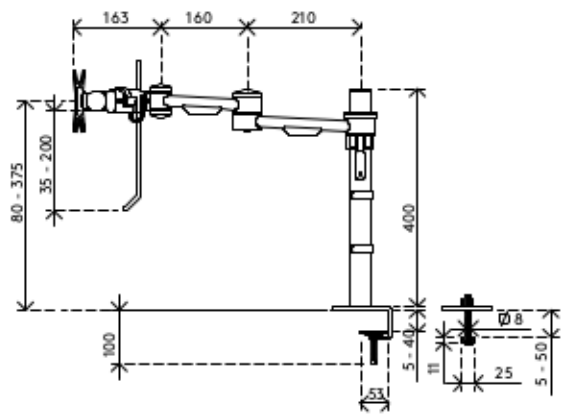
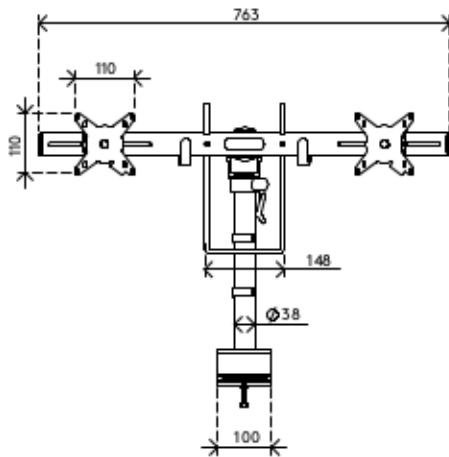
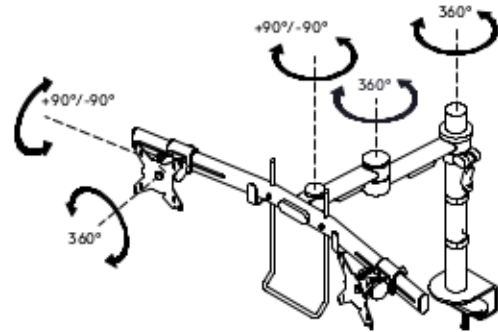
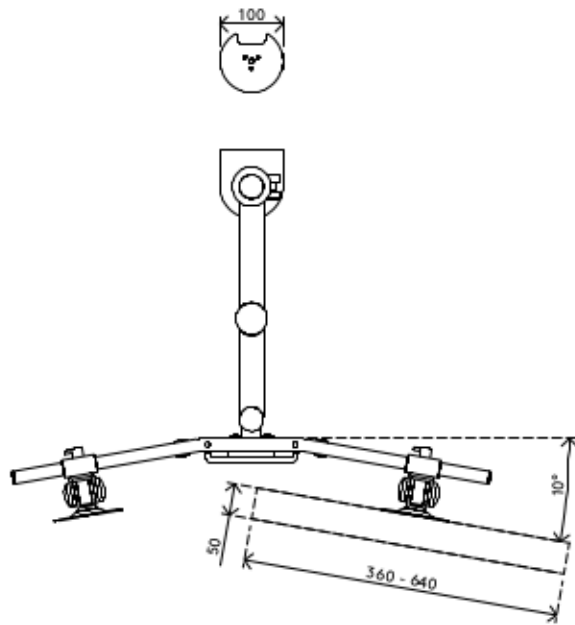


viewmate ^x




- 
 295 mm (11,6")
- 
 +90°/-90°
- 
 360°
- 
 640 mm (25,2")
- 
 713 mm (28,1")
- 
 75 x 75/100 x 100
- 
 (2x) 7,5 kg

Viewmate Monitorarm - Schreibtisch 602

2019/11/06


52.602

 825 x 265 x 150 mm

 1 pcs

 silber

 7 kg

 805410526023