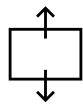
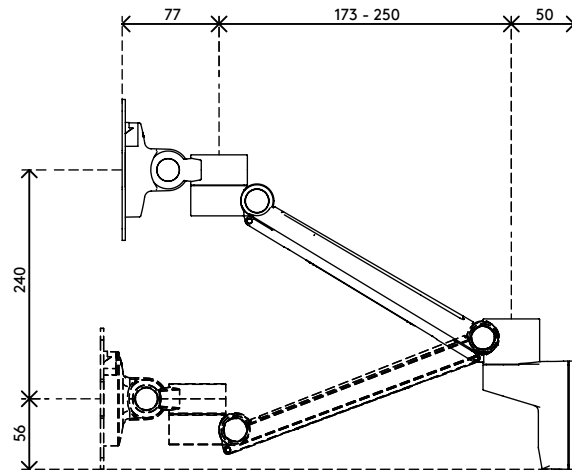
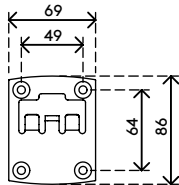
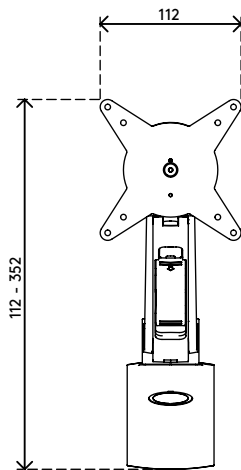
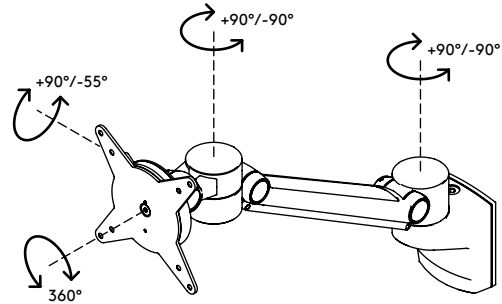
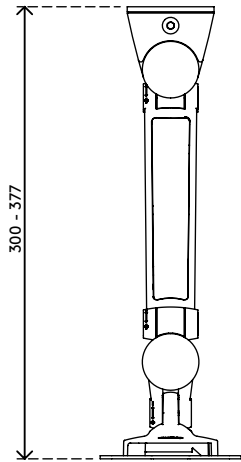


viewlite X



240 mm (9,4")



+90°/-55°



+90°/-90°



360°



75 x 75/100 x 100



0 - 7 kg

Viewlite plus Monitorarm - Wand 312

2019/06/24

58.312

477 x 153 x 145 mm

1 pcs

silber-Weiß

2,15 kg

805410583125