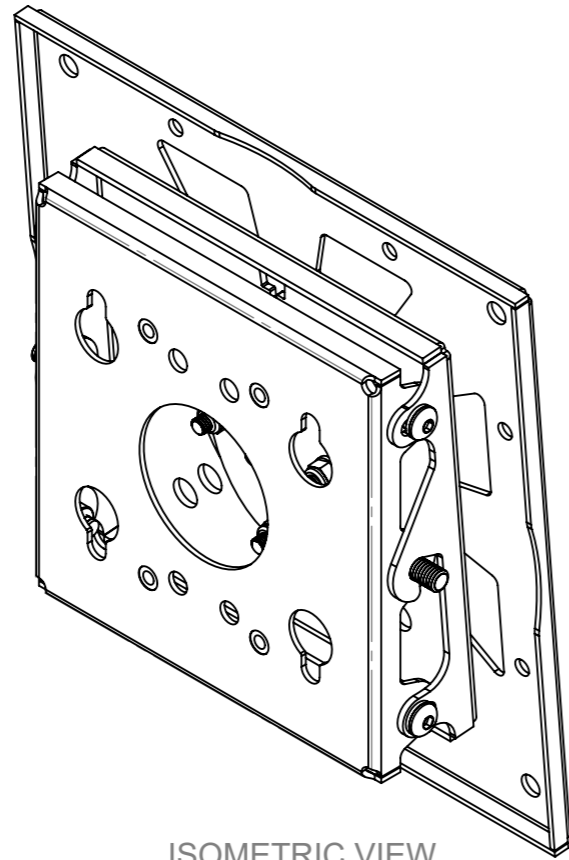
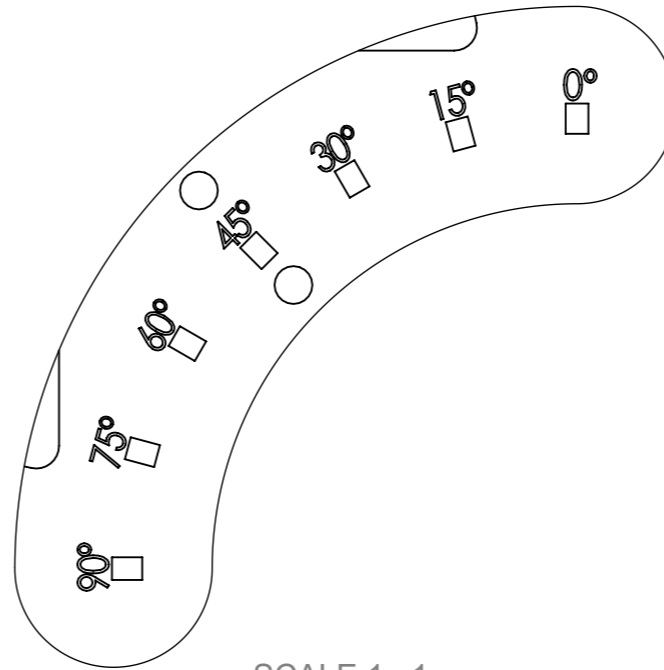


ISOMETRIC VIEW



ISOMETRIC VIEW



SCALE 1 : 1

